

ASSEMBLY & INSTALLATION INSTRUCTIONS

10335WH

Please read carefully and save this instruction sheet, as you may need them at a later date.

CAUTION

Turn off the main power at the circuit breaker before installing the fixture, in order to prevent possible shock.

GENERAL

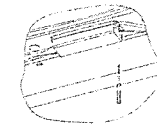
All electrical connections must be in accordance with local and national electrical code (N.E.C) standards. If you are unfamiliar with proper electrical wiring connections obtain the services of a qualified electrician.

Remove the fixture and the mounting package from the box and make sure that no parts are missing by referencing the illustrations on the installation instruction.

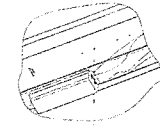
ASSEMBLY AND INSTALLATION

1. Turn off the power.
2. Remove the NUTS(18) from one of the END CAPS (17). Remove the END CAP (17) and the ACRYLIC LENS (20) from the FIXTURE BODY (14).
3. Pull the SUPPLY WIRES (2) & (4) and HOUSE GROUND WIRE (3) out from the OUTLET BOX (1).
4. Loosen the 4 SCREWS(11) on two sides of the FIXTURE BODY(14).Then take the BACK PANEL(10) out from the FIXTURE BODY(14).
5. Position the BACK PANEL(10) over the OUTLET BOX (1). Mark the location of the two KEYHOLE SLOTS located on the BACK PANEL(10). Be sure to mark only the narrow parts of the KEYHOLE SLOTS. Remove the BACK PANEL(10) from the ceiling. Drill the two holes using the appropriately sized drill bit. Insert the provided ANCHORS (9) into the holes.
6. Put all the fixture wires through BACK PANEL(10).
7. Make the wiring connections: connect the HOUSE GROUND WIRE (3) to the FIXTURE GROUND WIRE (6)using WIRE CONNECTOR;connect the WHITE SUPPLY WIRE (2)to the WHITE FIXTURE WIRE(5); connect BLACK SUPPLY WIRE (4) to the BLACK FIXTURE WIRE (7) using WIRE CONNECTORS (8). Carefully tuck all wires back into the OUTLET BOX (1).
8. Locate the BACK PANEL(10)over the OUTLET BOX(1);put the MOUNTING SCREWS(13) through the slots on the back panel. Then secure the mounting screws to the outlet box tightly. Secure the ANCHOR SCREWS(12)into the ANCHORS(9).
9. Put the FIXTURE BODY(14) over the BACK PANEL(10) and secure it by 4 SCREWS(11).

10. Now you are ready to install the LAMP(19). Do not exceed recommend maximum wattage.
11. Place the ACRYLIC LENS(20)over the FIXTURE BODY(14).Replace the END CAP(17) onto the FIXTURE BODY(14)through the SCREWS(16) a secure it using the NUTS(18).
12. Ballasts in the fixture is accessible and removable by an electrician without cutting of wires and without damage to the housing, trim decorative elements or the carpentry to which the fixture is attached

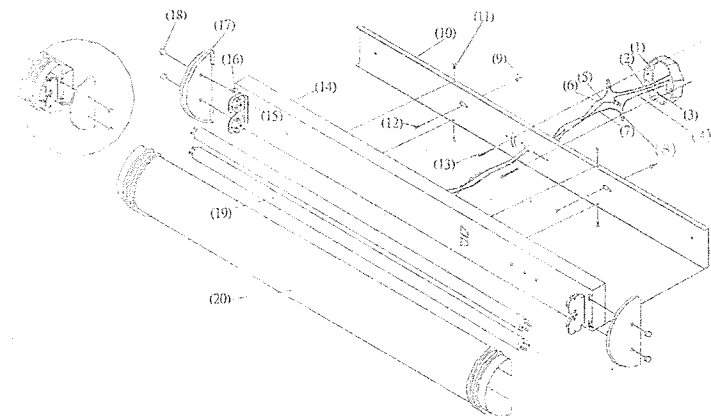


Use screw driver to loosen the ballast screw and take it out of fixture pan.



Insert the Ballast to the triangle hole and then secure it by the screw on the other end.

INSTALLATION IS NOW COMPLETED.



- | | |
|-----------------------|-------------------|
| 1. OUTLET BOX | 12.ANCHOR SCREW |
| 2.WHITE SUPPLY WIRE | 13.MOUNTING SCREW |
| 3.HOUSE GROUND WIRE | 14.FIXTURE BODY |
| 4.BLACK SUPPLY WIRE | 15.SOCKET |
| 5.WHITE FIXTURE WIRE | 16.SCREW |
| 6.FIXTURE GROUND WIRE | 17.END CAP |
| 7.BLACK FIXTURE WIRE | 18.NUT |
| 8.WIRE CONNECTOR | 19.LAMP |
| 9.ANCHOR | 20.ACRYLIC LENS |
| 10.BACK PANEL | |
| 11.SCREW | |