



From Zero to Zen

SORANO TOWEL WARMER

INSTALLATION GUIDE

W4603 / W4604 / W4605 / W4606
35.5" x 19" Hardwired



877-757-8930
www.icobath.com



Towel Warmer Installation Procedure

STEP 1

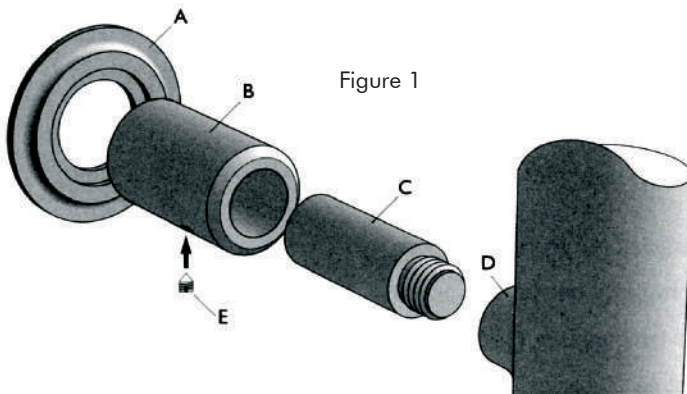
Rough-in Requirements (see figure 3)

1. The incoming power feed goes to a deep single gang electrical box (for the controller). This electrical box can be located anywhere in the room, although we recommend it be alongside your light switches.
2. A power feed then goes from the controller electrical box to a single gang electrical box (for towel warmer). The location of this electrical box governs the location of your towel warmer (see figure 2).
3. Wall studs or plywood backing is required in the wall at all bracket locations. See figure 2 for bracket locations.

STEP 2

Installation Instructions (see figure 1)

1. Check all items have been received. You should have received a towel warmer, hardwire kit, programmable controller and mounting bracket kit. Read all instructions before continuing.
2. Fix wall supports "B" including collar "A" to the wall using the screws provided and in locations as shown on figure 2.
3. Screw the threaded pin "C", into the threaded bushing "D" on the back of the towel warmer.
4. Hang and adjust the towel warmer using set screws "E" to lock pin "C" in the wall bracket "B". Ensure the towel warmer is firmly and safely fixed.



STEP 3

Hardwire Connection (see figure 4)

Do not connect the towel warmer to the power supply until all instructions have been read and installation carried out in accord with them. The heating element is 150W, 300W or 450W 110V. The element conforms to UL standards and the unit to CSA standards (File ref: 229718). Ensure the CSA label is visible. **TURN OFF POWER SUPPLY BEFORE PROCEEDING.**

1. Feed the electrical cord located at the bottom of the towel warmer first through the round tube "G" and then through the cover plate "F".
2. Complete all electrical connections as shown in figure 3.
3. Fit tube "G" over towel warmer element sleeve until it meets the hexagonal chrome collar.
4. Push cover plate "F" onto tube.
5. Screw cover plate to electric box with the enclosed screws. Adjust where necessary.

Figure 2

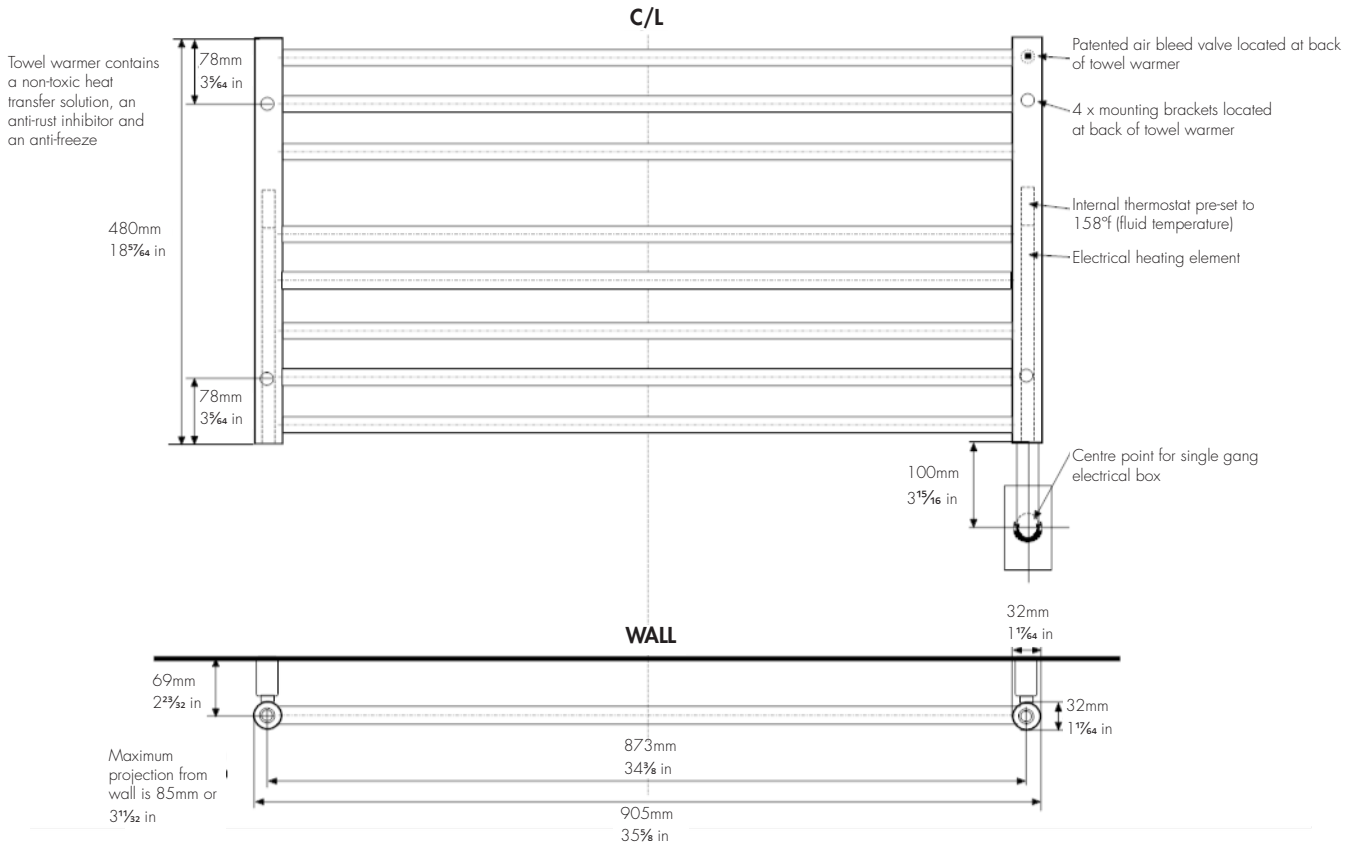
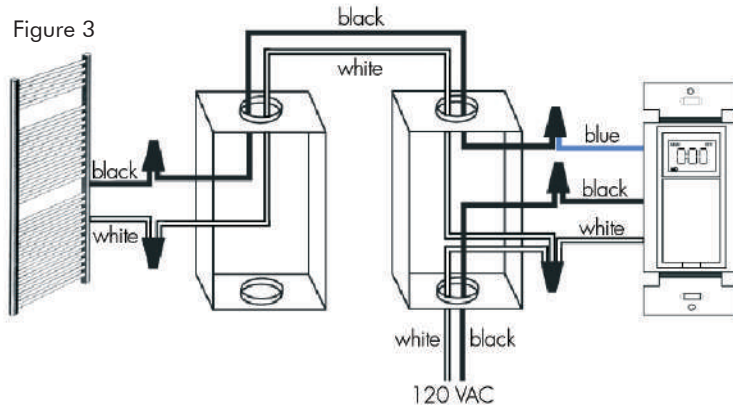


Figure 3



Warning: In case of damage or failure of the towel warmer the unit should be returned to the manufacturer or their distributor. The warranty of 2 years on the heating element and limited lifetime on the towel warmer frame is NOT VALID in case of improper use or installation. **Do not hang towel warmer upside down.** Product is designed for use within Canada and the United States only.



Specifications

Model #	Description	Finish	Weight (lb)	Element Size	Output (BTU)	WxH (mm)	WxH (Inches)	Metal Type
W4603	Electric Hardwire	Chrome	21.6	150W	512	905 x 480	35.5" x 19"	Mild Steel
W4604	Electric Hardwire	Brushed Nickel	21.6	150W	512	905 x 480	35.5" x 19"	Stainless Steel
W4605	Electric Hardwire	Matte Black	21.6	300W	1024	905 x 480	35.5" x 19"	Mild Steel
W4606	Electric Hardwire	Polished Nickel	21.6	150W	512	905 x 480	35.5" x 19"	Mild Steel

Heating Element Specifications: 150 watt / 300 watt / 450 watt, 12" long / 18" long / 23" long, 110 volt, 60 Htz, IP55 cord, ULC approved

Material Specifications: Mild Steel - Din 2394 Quality - ST 34-2 KB / Stainless Steel - Din 17457 Quality - 1.4301

Warranties:

- **Towel warmer Frame:** Limited lifetime warranty. Refer to www.icobath.com for full warranty coverage details
- **Heating Element:** 2 years
- **Programmable Controller:** 2 years

Fixings: Screws, and Allen Key (if needed) are included

Heating Element Location: Right-hand vertical tube unless specified otherwise.

Care & Maintenance: A periodic wash using warm water and a soft cloth will retain the high quality finish of your towel warmer for many years to come. ON NO ACCOUNT should any household bleaches, detergents, abrasive polishes, steel wool or other cleaning agents be used on this item.



From Zero to Zen

SORANO TOWEL WARMER

INSTALLATION GUIDE

E4603 / E4604 / E4605 / E4606
35.5" x 19" Plug-In



877-757-8930
www.icobath.com



Towel Warmer Installation Procedure

STEP 1

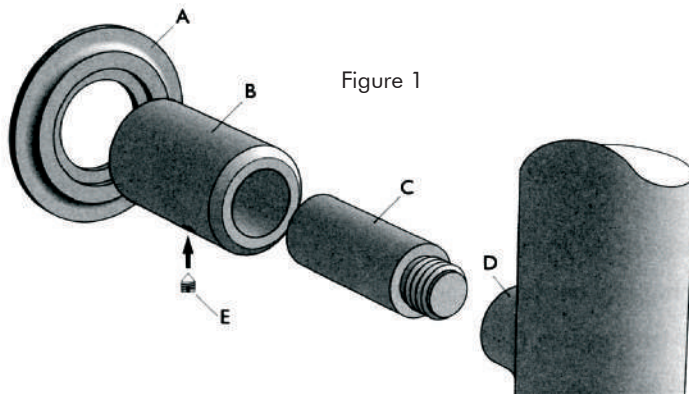
Rough-in Requirements (see figure 3)

1. A 110V receptacle located no further than 18" from electric plug-in exit location on towel warmer (see fig. 2), and not above electric plug-in exit location.
2. Wall studs or plywood backing is required in the wall at all bracket locations. See figure 2 for bracket locations.

STEP 2

Installation Instructions (see figure 1)

1. Check all items have been received. You should have received a towel warmer and mounting bracket kit. Read all instructions before continuing.
2. Fix wall supports "B" including collar "A" to the wall using the screws provided and in locations as shown on figure 2.
3. Screw the threaded pin "C", into the threaded bushing "D" on the back of the towel warmer.
4. Hang and adjust the towel warmer using set screws "E" to lock pin "C" in the wall bracket "B". Ensure the towel warmer is firmly and safely fixed.



STEP 3

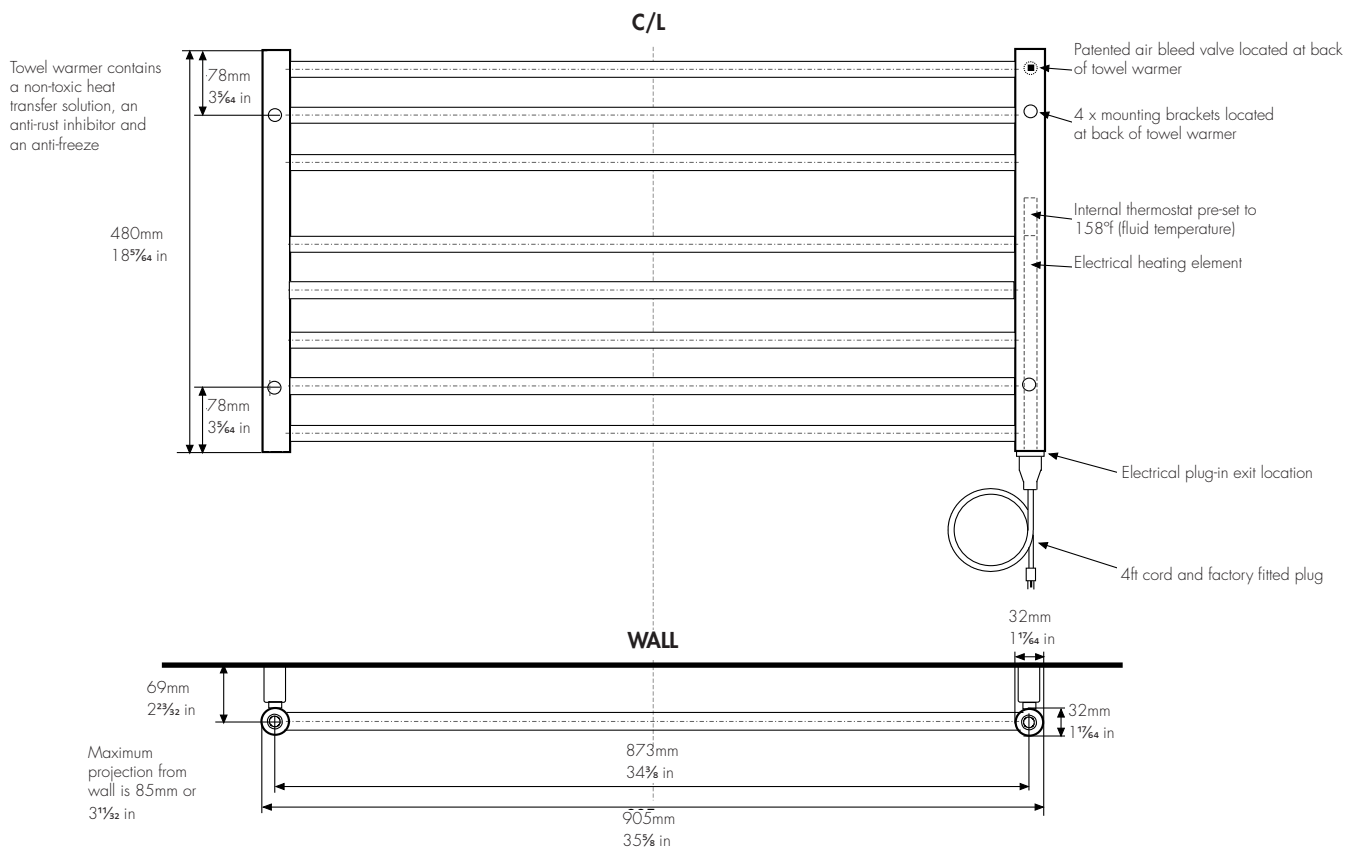
Electric Plug-In Connection

Do not connect the Towel Warmer to the power supply until all instructions have been read and installation carried out in accord with them. The heating element is 150W / 300W / 450W 110V. The element conforms to UL standards and the unit to CSA standards (File ref: 229718). Ensure the CSA label is visible.

1. Turn off power supply.
2. Plug connector in.
3. Switch on power supply again.

Warning: In case of damage or failure of the Towel Warmer the unit should be returned to the manufacturer or their distributor. The warranty of 2 year on the heating element and lifetime on the Towel Warmer is NOT VALID in case of improper use or installation. Product is designed for use within Canada and the United States only.

Figure 2



Warning: In case of damage or failure of the towel warmer the unit should be returned to the manufacturer or their distributor. The warranty of 2 years on the heating element and limited lifetime on the towel warmer frame is NOT VALID in case of improper use or installation. **Do not hang towel warmer upside down.** Product is designed for use within Canada and the United States only.



Specifications

Model #	Description	Finish	Weight (lb)	Element Size	Output (BTU)	WxH (mm)	WxH (Inches)	Metal Type
E4603	Sorano Plug-in	Chrome	21.6	150W	512	905 x 480	35.5" x 19"	Mild Steel
E4604	Sorano Plug-in	Brushed Nickel	21.6	150W	512	905 x 480	35.5" x 19"	Stainless Steel
E4605	Sorano Plug-in	Matte Black	21.6	300W	1024	905 x 480	35.5" x 19"	Mild Steel
E4606	Sorano Plug-in	Polished Nickel	21.6	150W	512	905 x 480	35.5" x 19"	Mild Steel

Heating Element Specifications: 150 watt / 300 watt / 450 watt, 12" long / 18" long / 23" long, 110 volt, 60 Htz, IP55 cord, ULC approved

Material Specifications: Mild Steel - Din 2394 Quality - ST 34-2 KB / Stainless Steel - Din 17457 Quality - 1.4301

Warranties:

- **Towel Warmer Frame:** Limited lifetime warranty. Refer to www.icobath.com for full warranty coverage details.
- **Heating Element:** 2 years
- **Programmable Controller:** 2 years

Fixings: Screws, and Allen Key (if needed) are included.

Heating Element Location: Right-hand vertical tube unless specified otherwise.

Care & Maintenance: A periodic wash using warm water and a soft cloth will retain the high quality finish of your towel warmer for many years to come. ON NO ACCOUNT should any household bleaches, detergents, abrasive polishes, steel wool or other cleaning agents be used on this item.