

**Specification Submittal Data / Panasonic Precision Spot Ventilation Fan**

**Description:**

Ventilating fan shall be Low Noise ceiling mount type rated for continuous run. Fan shall be ENERGY STAR® rated and certified by the Home Ventilation Institute (HVI). Evaluated by Underwriters Laboratories and conform to both UL and cUL safety standards.

**Motor/Blower:**

- Enclosed brushless ECM motor technology rated for continuous run.
- Fan ventilation rates shall be manually adjustable for 110-130-150 CFM.
- Power rating shall be 120 volts and 60 Hz.
- Fan shall be UL and cUL listed for tub/shower enclosure when GFCI protected.
- Motor equipped with thermal-cutoff fuse.
- Removable with permanently lubricated plug-in motor.

**Housing:**

- 26 gauge Zinc-Aluminum-Magnesium (ZAM) housing.
- Integrated 6" duct adapter.
- Built-in damper reduces back drafting and helps with blower door testing.
- Built-in metal flange provides blocking for penetrations through drywall as an Air Barrier, and assists with the decrease in leakage in the Building Envelope during blower door testing.
- Articulating and expandable installation bracket up to 24".

**Ceiling Radiation Damper:**

- WhisperCeiling® DC™ is UL listed for use with the Panasonic Ceiling Radiation Damper (Model #: PC-RD05C5, sold separately).

**Grille:**

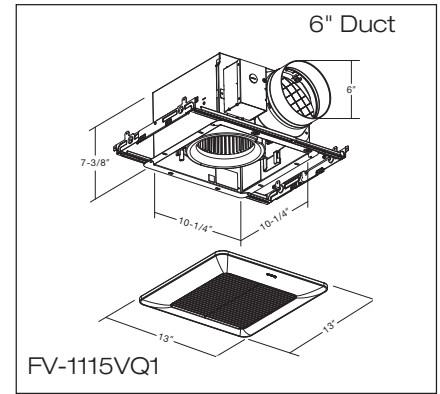
- Attractive design using Poly Pro material.
- Attaches directly to housing with torsion springs.

**Warranty:**

- ECM Motor: 6 Years from original purchase date.
- ALL Parts: 3 Years from original purchase date.

**Architectural Specifications:**

Ventilation fan shall be UL and cUL listed for ceiling mount and tub/shower enclosure when GFCI protected. Fan shall also be ENERGY STAR® certified, with a built-in speed selector. Choose from 110-130-150 CFM and no more than <0.3/<0.3/<0.3 sone as certified by the Home Ventilating Institute (HVI) at 0.1 static pressure in inches water gauge (w.g.) with no less than 110-131-152 CFM and no more than <0.3/0.5/0.7 sone as certified by HVI at 0.25 w.g. Power Consumption shall be no greater than 6.8/9.0/11.8 watts at 0.1 w.g. and 12.1/15.7/20.2 watts at 0.25 w.g., with efficiency of no less than 16.4/14.7/12.9 CFM/watt at 0.1 w.g. and 9.2/8.5/7.6 CFM/watt at 0.25 w.g. The motor shall be totally enclosed

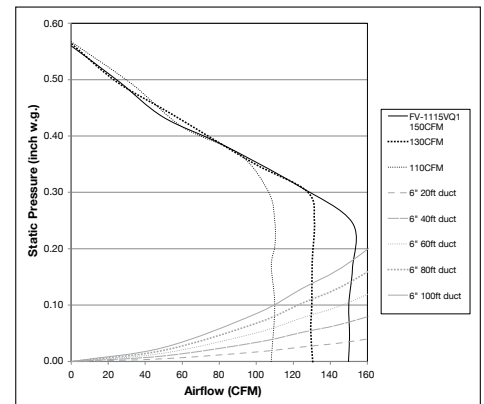


with a brushless ECM motor engineered to run continuously. ECM motor speed shall automatically increase when the fan senses static pressure to maintain selected CFM. Power rating shall be 120V/60Hz. Duct diameter shall be no less than 6". Fan can be used to comply with ASHRAE 62.2, LEED, ENERGY STAR® IAP, EarthCraft, CA Title 24 and WA state code.

Specifications: <b>WhisperCeiling DC</b> FV-1115VQ1		6"		6"		6"	
<b>Ventilation Fan Characteristics</b> (HVI Certified Data)	Static Pressure in inches w.g.	0.1	0.25	0.1	0.25	0.1	0.25
	Air Volume (CFM)	150	152	130	131	110	110
	Noise (sones)	<0.3	0.7	<0.3	0.5	<0.3	<0.3
	Power Consumption (watts)	11.8	20.2	9.0	15.7	6.8	12.1
	Energy Efficiency (CFM/Watt)	12.9	7.6	14.7	8.5	16.4	9.2
	Speed (RPM)	698	925	671	918	636	900
	Current (amps)	0.19	0.31	0.16	0.25	0.12	0.20
	MAX. Current (amps)	0.31					
	Power Rating (V/Hz)	120/60					
	ENERGY STAR rated	Yes					

0.25=Installed Performance

**Performance Curve 6" Duct**



For complete Installation Instructions visit [us.panasonic.com/ventfans](http://us.panasonic.com/ventfans)

Model	Quantity	Comments	Project:
			Location:
			Architect:
			Engineer:
			Contractor:
			Submitted by:
			Date:

**Panasonic Eco Solutions North America**  
Eco Products Division  
Two Riverfront Plaza  
Newark, NJ 07102



**ECM Motor Technology**

When the fan senses static pressure, its speed is automatically increased to ensure that the desired CFM is not compromised, which allows the fan to perform as rated.

[us.panasonic.com/ventfans](http://us.panasonic.com/ventfans)

