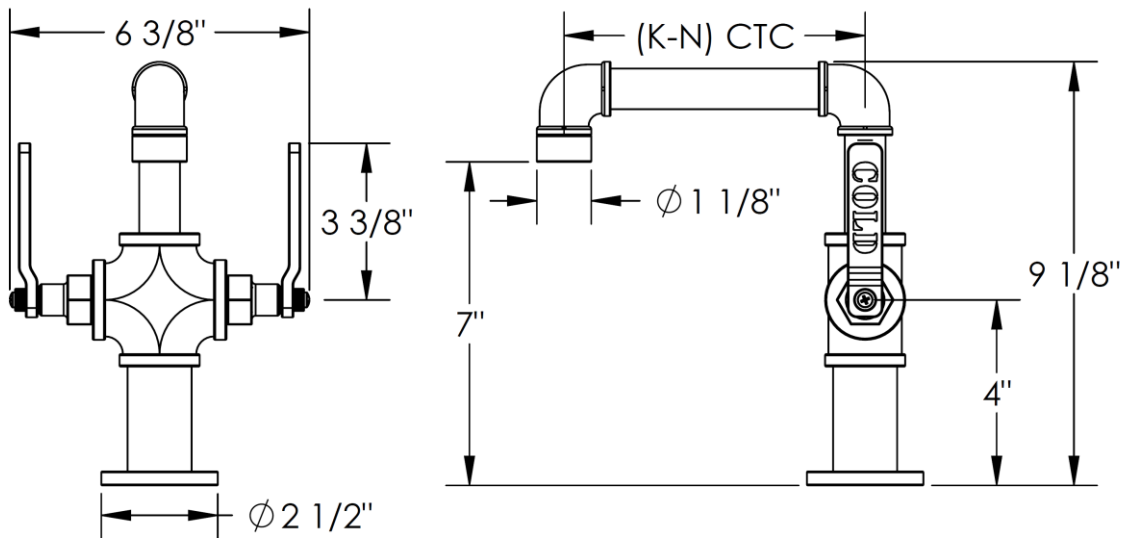


**38-1EX4-\_-EV4**

Extended Single Hole Lavatory  
Specify (K-N)

- K=5.5"
- L=6.5"
- M=7.5"
- N=8.5"



Meets the applicable requirements of ASME A112.18.1-2005/CSA B125.1-05, entitled "Plumbing Supply Fittings"