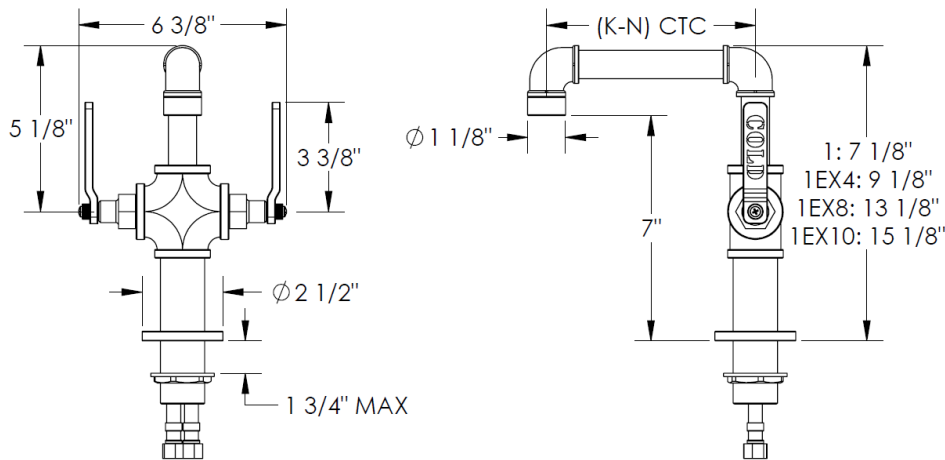


Specifications:

ITEM NO.	PART NUMBER	QTY.
2	SS-502-CTRG	2
7	38-2.3-ESC	2
8	EV4-LVR-C2	1
9	EV4-POST-CAP	2
10	CR-PHMS 0.164-32x0.375x0.375-N	2
11	EV4-LVR-H2	1
12	38-1-SPT-BASE	1
13	38-1-CRSS-BODY-ASSY	1
15	SPPLY-HOSE-3-8COMP	2
16	SS-DMV1.3-NUT	1
17	NEOPERL CACHE AERATOR	1
18	AS568 - 029	1

*PART SHOWN IS FOR 38-1EX4 CONFIGURATION. APPEARANCE OF PART MAY VARY BASED ON MODEL NUMBER REQUESTED.



IMPORTANT INSTALLATION INFORMATION

- USE TEFLON TAPE OR PIPE SEALANT FOR THREADED CONNECTIONS
- DO NOT USE PLUMBER'S PUTTY ON ANY OF THE BRASS COMPONENTS
This will cause the finish to tarnish and void the warranty. A non-corrosive Alkoxy Silicone is recommended.
- DURING SWEATING OF LINES DO NOT OVERHEAT CASTING
Overheating may cause damage to internal mechanism
- COPPER ADAPTORS MAY BE REQUIRED TO COMPLETE YOUR INSTALLATION

For technical support, please call 718-257-2800

