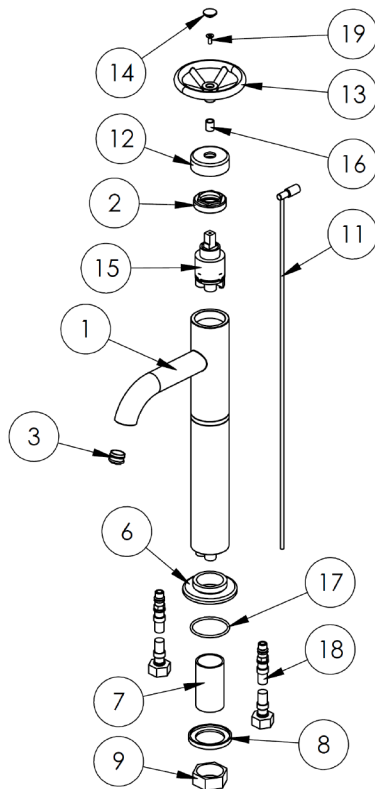
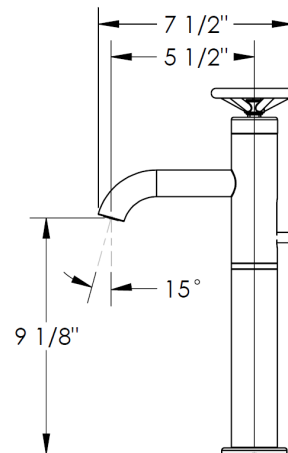
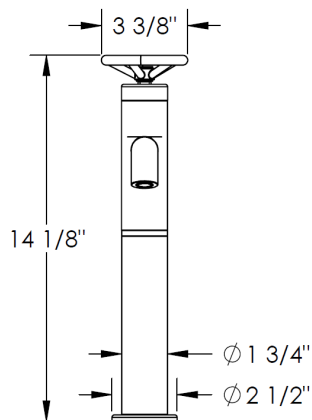


Specifications:



ITEM NO.	PART NUMBER	QTY.
1	24-1.15 SPT-BODY-EX	1
2	24-1.15 CARTRIDGE NUT	1
3	NEOPERL CACHE 44.3234.010	1
6	31-1.15EX-BASE-RING	1
7	24-1.15EX-NIPPLE	1
8	24-1.15EX-BTM-DISC	1
9	24-1.15EX-NUT	1
11	26-1.1-LIFT-ROD	1
12	31-1.15EX-DOME	1
13	BK-KNOB	1
14	BK-KNOB-CAP	1
15	KEROX KR 35 B CARTRIDGE	1
16	BRCH-20-TO-15-ADAP	1
17	AS568 - 130	1
18	SUPPLY HOSE	2
19	B18.6.7M - M4 x 0.7 x 10 Type I Cross Recessed FHMS --10N	1



IMPORTANT INSTALLATION INFORMATION

- USE TEFLON TAPE OR PIPE SEALANT FOR THREADED CONNECTIONS
- DO NOT USE PLUMBER'S PUTTY ON ANY OF THE BRASS COMPONENTS
This will cause the finish to tarnish and void the warranty. A non-corrosive Alkoxy Silicone is recommended.
- DURING SWEATING OF LINES DO NOT OVERHEAT CASTING
Overheating may cause damage to internal mechanism
- COPPER ADAPTORS MAY BE REQUIRED TO COMPLETE YOUR INSTALLATION

For technical support, please call 718-257-2800

