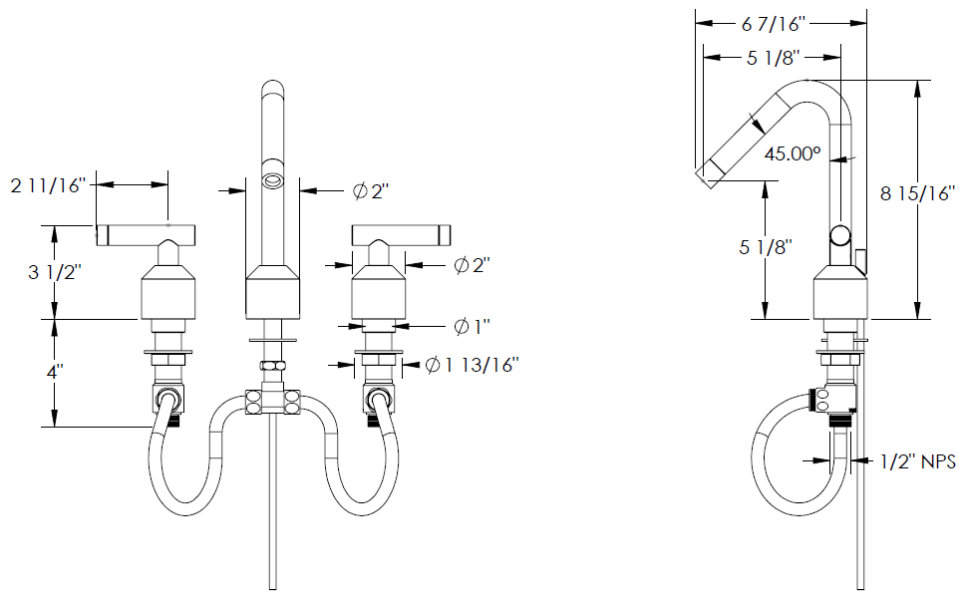


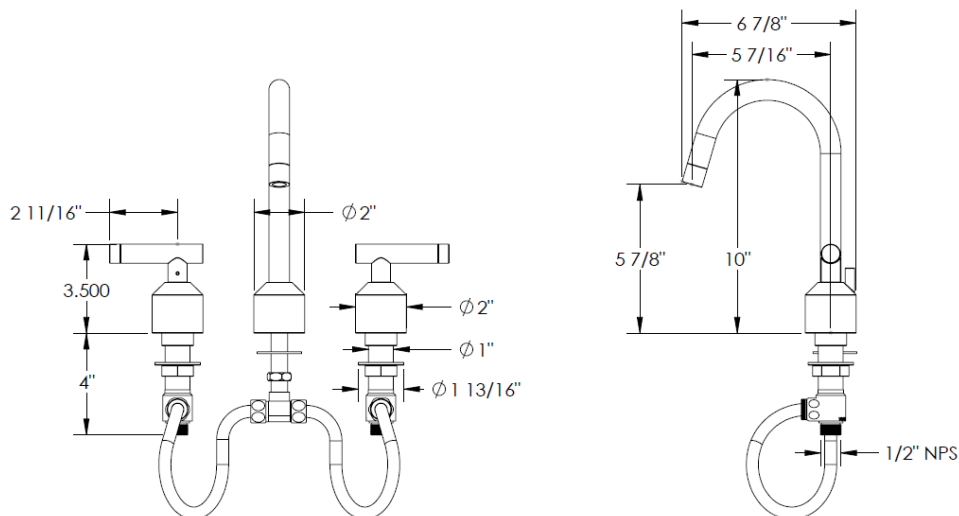
### FEATURES

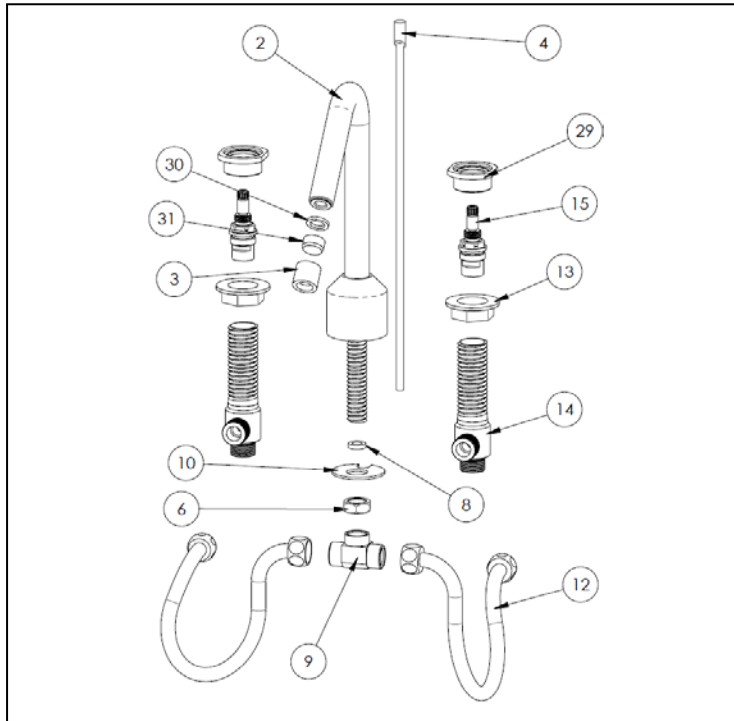
- ¼ turn washerless ceramic disc valve cartridges
- Flexible hose connection for 8" to 16" spread installations
- Flow rate 1.5 gpm (5.7 lpm) maximum flow rate
- Solid brass construction
- Listed by IAPMO, CSA, NSF, and other municipalities
- Warranty:
  - Limited lifetime warranty (residential use)
  - One year (commercial use)
- Shipping weight (lbs.) 10
- Shipping dimensions (in.): 29x12x4

### 25-2 (Widespread)



### 25-2.27 (Widespread)





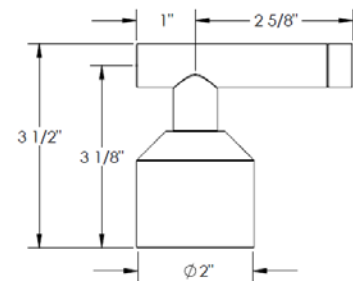
ITEM NO.	PART NUMBER	QTY.
2	25-2-SPT	1
3	25-2-AREATOR SHELL	1
4	25-2-LIFT KNOB	1
6	142-LOCK-NUT	1
8	142-TEE-GSKT	1
9	142-TEE	1
10	142-HRS-SHOE-WSHR	1
12	502 FLEX HOSE	2
13	142-LOCK-NUT	2
14H/14C	SS-502 Valve Body	2
15H/15C	SS-502 Cartridge	2
29	L4-TOP-LOCK-NUT	2
30	501 AERATOR WASHER	1
31	NEOPERL PERLATOR JR	1

### HANDLE TRIMS

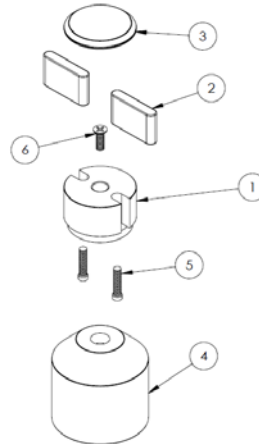
#### Astor (Code: IN14)



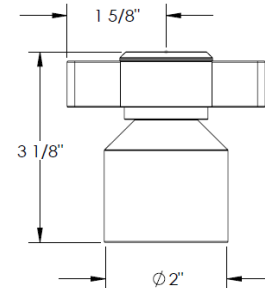
ITEM NO.	PART NUMBER	QTY.
1	IN14-ESC	1
3	IN14-LVR	1
7	SSCUPSKT 0.164-32x0.1875-HX-S	1



### Cooper (Code: IN16)



ITEM NO.	DESCRIPTION	QTY.
1	IN16-KNOB	1
2	IN16-FIN	2
3	IN16-CAP	1
4	IN14-ESC	1
5	F-POST-SCRW	2
6	CR-FHM1 0.164-32x0.5x0.5-S	1



#### **IMPORTANT INSTALLATION INFORMATION**

- USE TEFLON TAPE OR PIPE SEALANT FOR THREADED CONNECTIONS
- DO NOT USE PLUMBER'S PUTTY ON ANY OF THE BRASS COMPONENTS  
This will cause the finish to tarnish and void the warranty. A non-corrosive Alkoxy Silicone is recommended.
- DURING SWEATING OF LINES DO NOT OVERHEAT CASTING  
Overheating may cause damage to internal mechanism
- COPPER ADAPTORS MAY BE REQUIRED TO COMPLETE YOUR INSTALLATION

**For technical support, please call 718-257-2800**

Rev. 1/1