

34-HSPB1-S1

Positioning Bar Shower Kit with Hand Shower and 69" Hose

Flow Rate: 1.75 GPM (6.6 L/min)



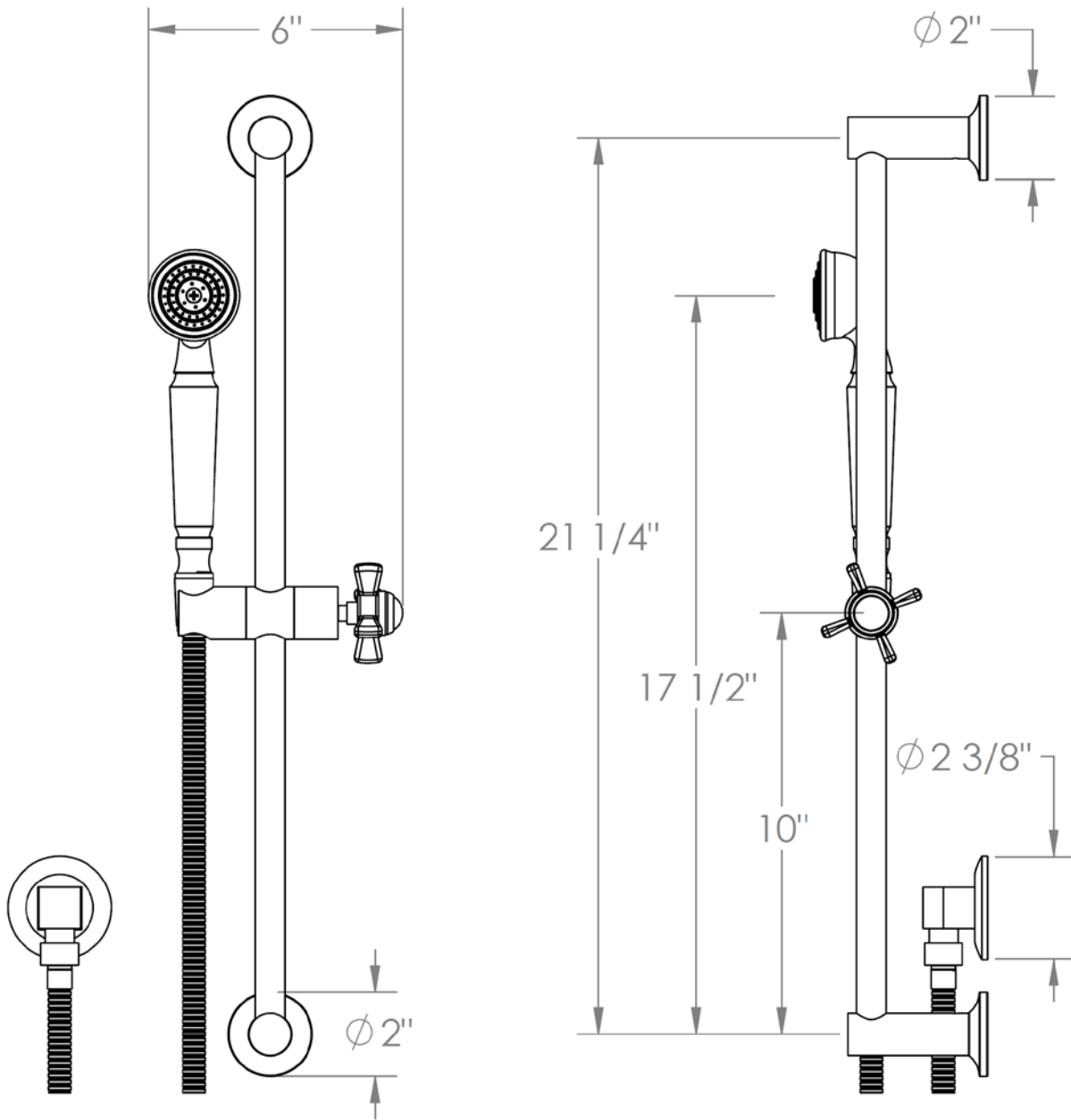
Meets the applicable requirements of ASME A112.18.1/CSA B125.1



34-HSPB1-S1

Positioning Bar Shower Kit with Hand Shower and 69"

Hose Flow Rate: 1.75 GPM (6.6 L/min)

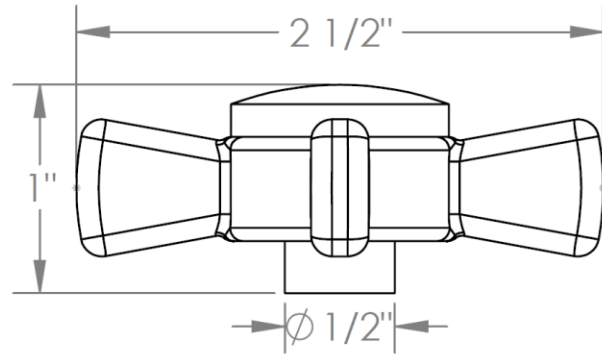


Meets the applicable requirements of ASME A112.18.1/CSA B125.1

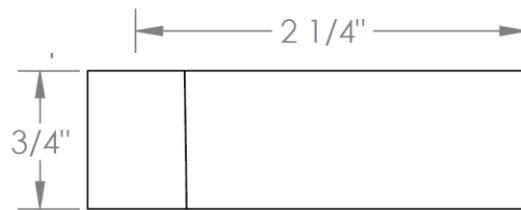
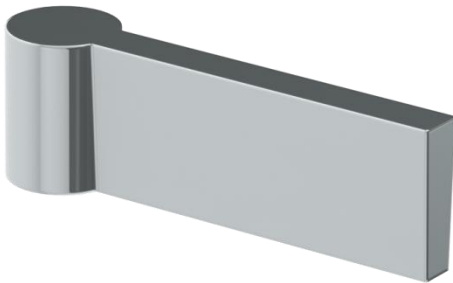


Haley Handle Options

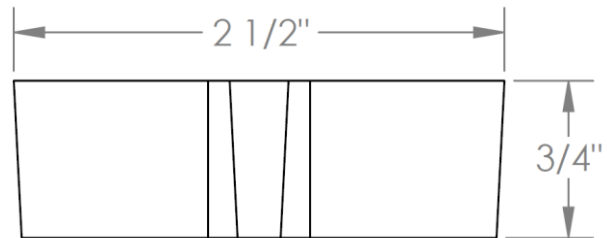
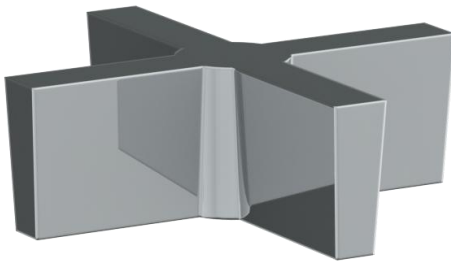
B9M – SISTINA



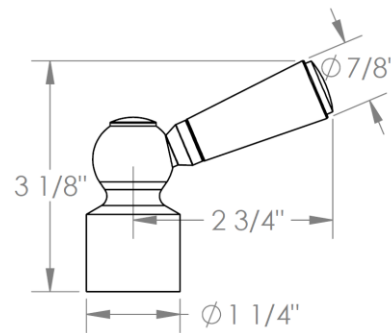
DD2 – ASTAIRE



DD3 – GARBO



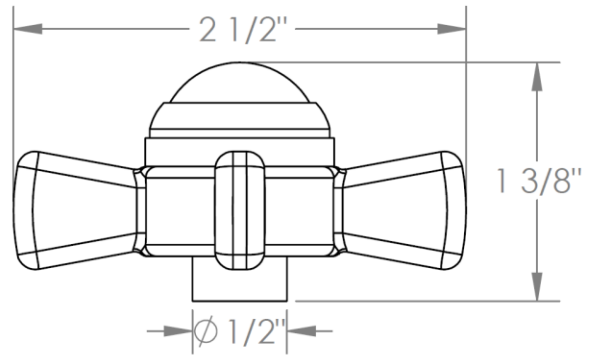
H4 – HARMONIE



WATERMARK DESIGNS 8/29/2018

Haley Handle Options

S1 – PRESTON



S1A – NOTTINGHAM

