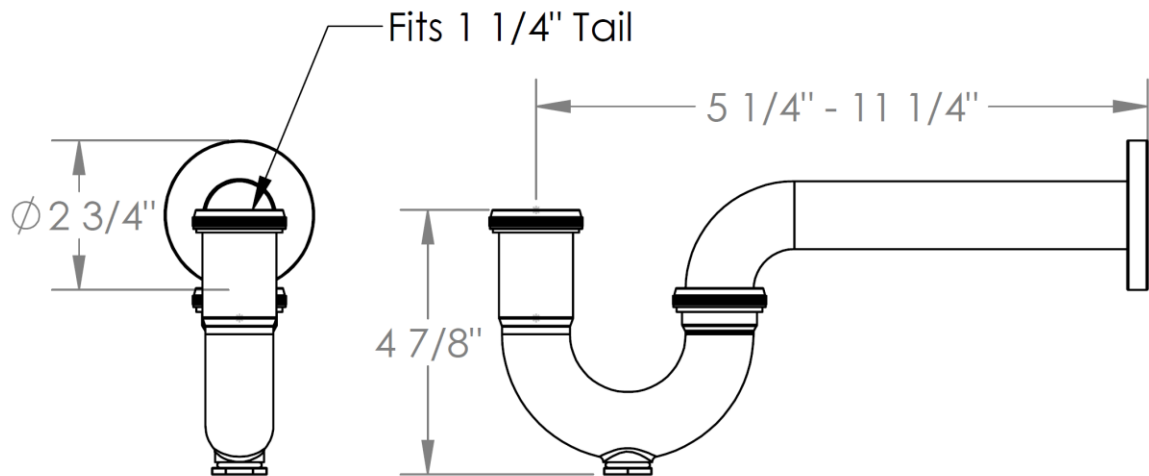


MPT1
P-Trap



WATERMARK DESIGNS 12/18/2015

350 Dewitt Ave Brooklyn NY 11207 USA T 718 257 2800 F 718 257 2144 info@watermark-designs.com