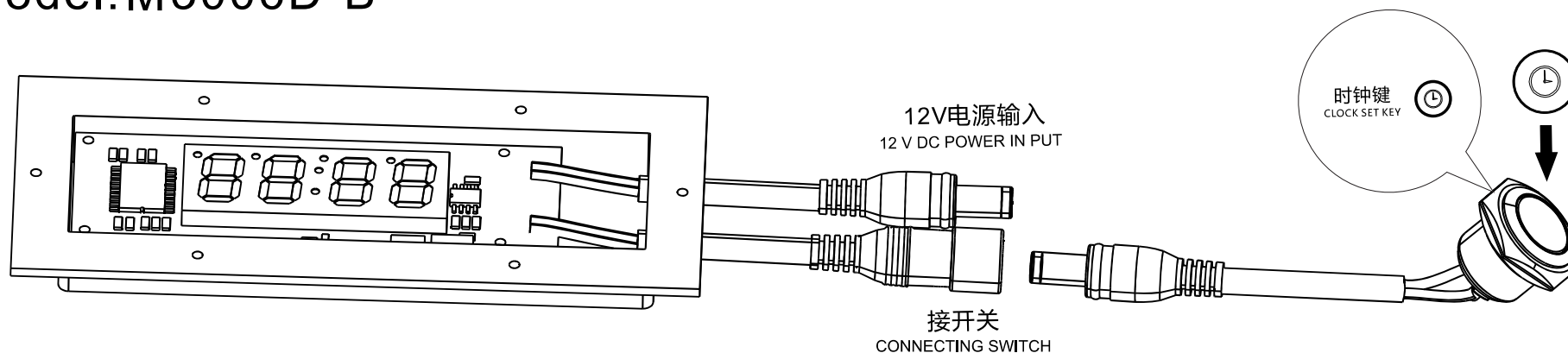


產品及功能

Model: M3006D-B



产品功能：

Function of Product：

时间显示; 按钮式开关调节时钟

Time display; Button switch regulating clock

操作说明：

Instruction of operation

接通电源，调时钟，第一次长按按钮2秒，左边第一个8字就会闪烁，此时再短按或者长按此键，数字会变0, 1, 2, 当调整完3秒后，自动跳到第二个8字闪烁，此在第一位数字显示0, 1字时，可显示0到9字，在第一位数字显示2字时，只显示0-3字, 调整完3秒后，会自动跳到第三个8字，数字会变0-5, 调整完3秒后，自动跳到第四个8字闪烁，键数字会变0-9, 调整完成3秒后会停止闪烁。

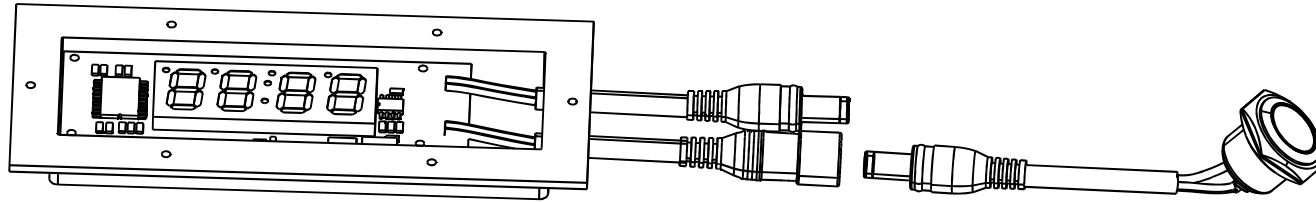
Turn on the power supply, adjust the clock, the first long button for 2 seconds, the first 8 words on the left will flash, at this time again short or long press this key, the number will change 0, 1, 2, when adjusted for 3 seconds, automatic jump To the second 8 words flashing, this in the first digit display 0, 1 words, can display 0 to 9 words, when the first digit display 2 words, only show 0 - 3 words, adjusted for 3 seconds, will automatically jump to the third 8 words, the number will change 0 - 5, adjusted for 3 seconds, Automatically jump to the fourth 8 - word flashing, key number will change 0 - 9, adjust after 3 seconds will stop flashing.

电气参数

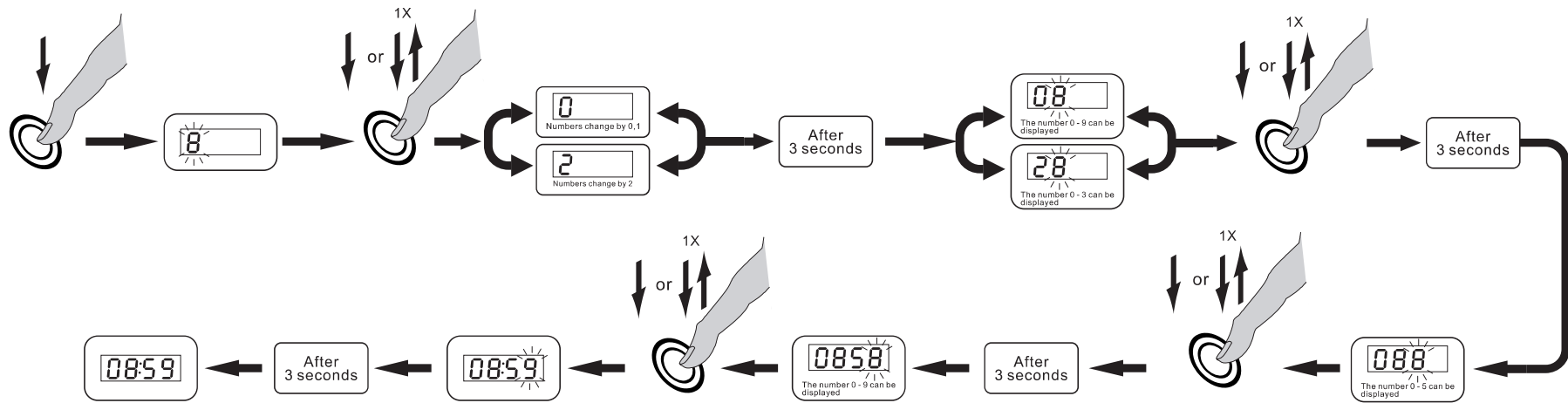
型号	电压	额定载荷
M3006D-B	12V DC	1W

按键功能操作

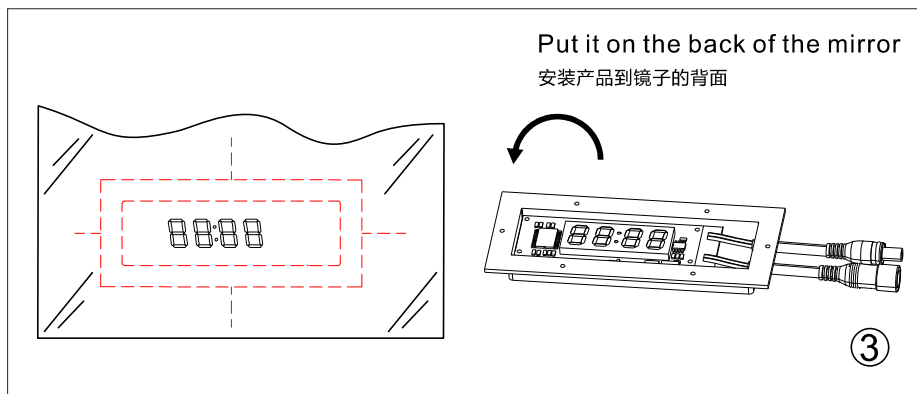
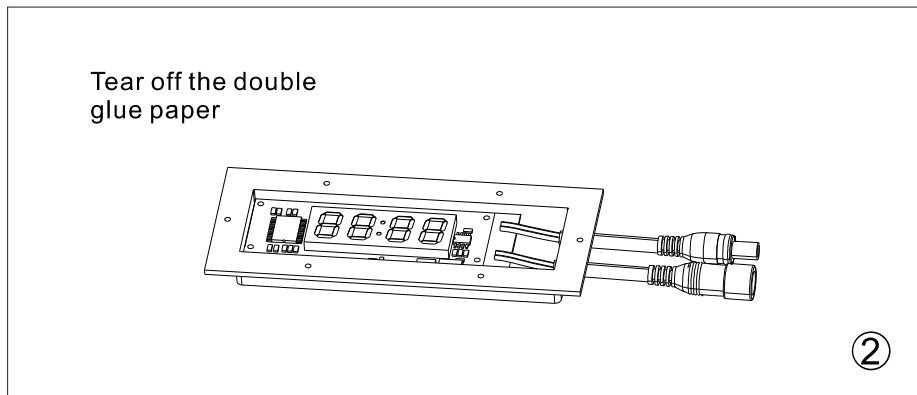
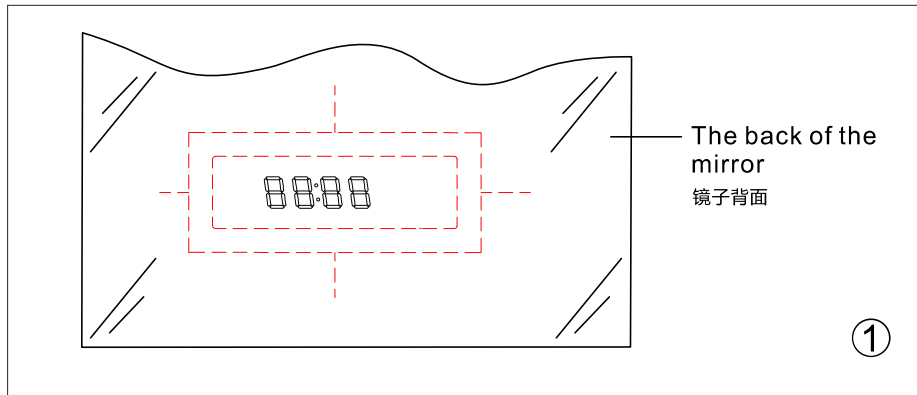
Function
操作方法



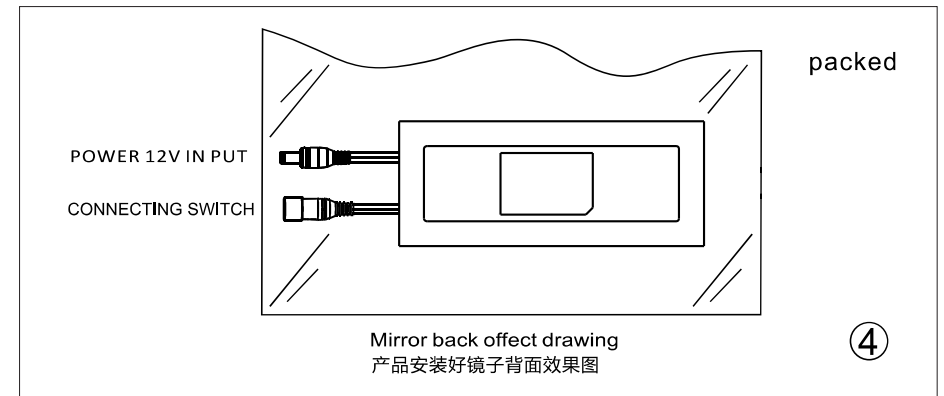
Long Pressing(>1s)
长按



Installation
安装步骤



Installation
安装步骤



总装图

Attentions:



Read the instruction carefully before installation. non-observance of this instruction may cause damage to the fixture or hurt to human body. The installation must be carried out by a qualified electrician in accordance with local or national codes.
Cut off the power supply before installation and maintenance !

Keep this instruction manual handy for future use.

Use the 12 volt power supply that meets the requirements and safety regulations

注意事项：



安装前仔细阅读说明书，不按指示安装可能会对人体造成伤害，安装一定由合格的电工按照当地或国家的标准进行。

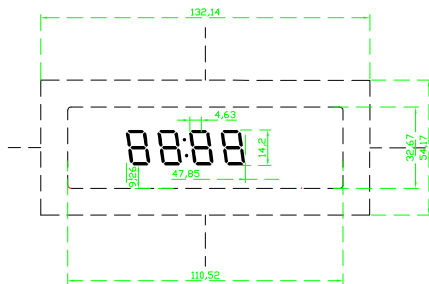
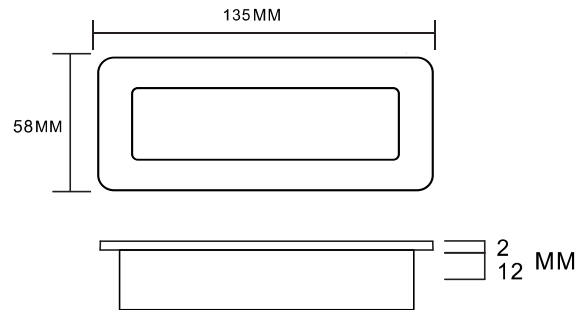
安装检修前要关闭电源！

把说明书放好方便将来使用。

只能使用12V符合要求和安规的电源。

Dimensions: mm/inch

规格:毫米/英寸



The black area is a mirror icon
黑色区域是镜子背面打标图

