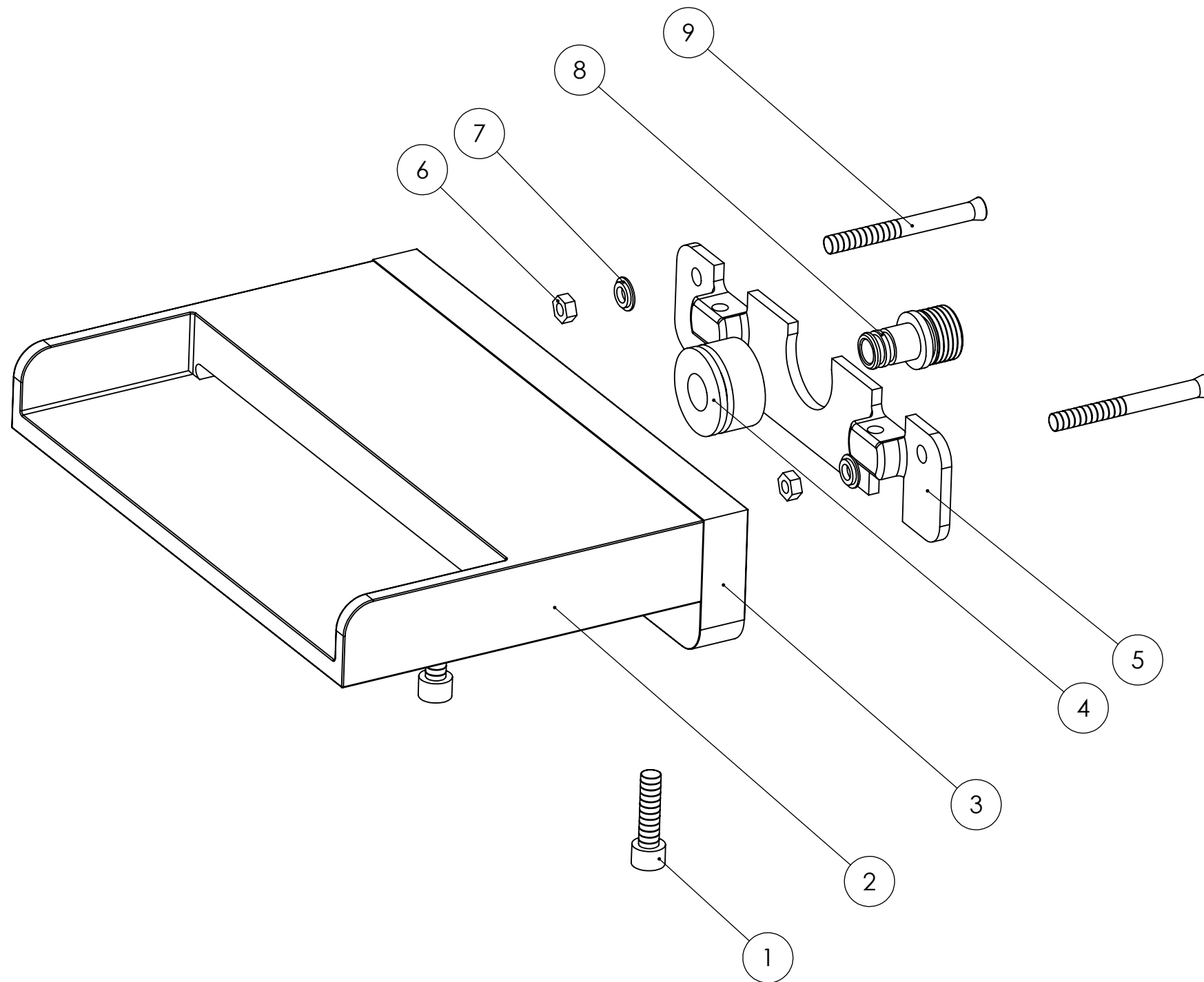
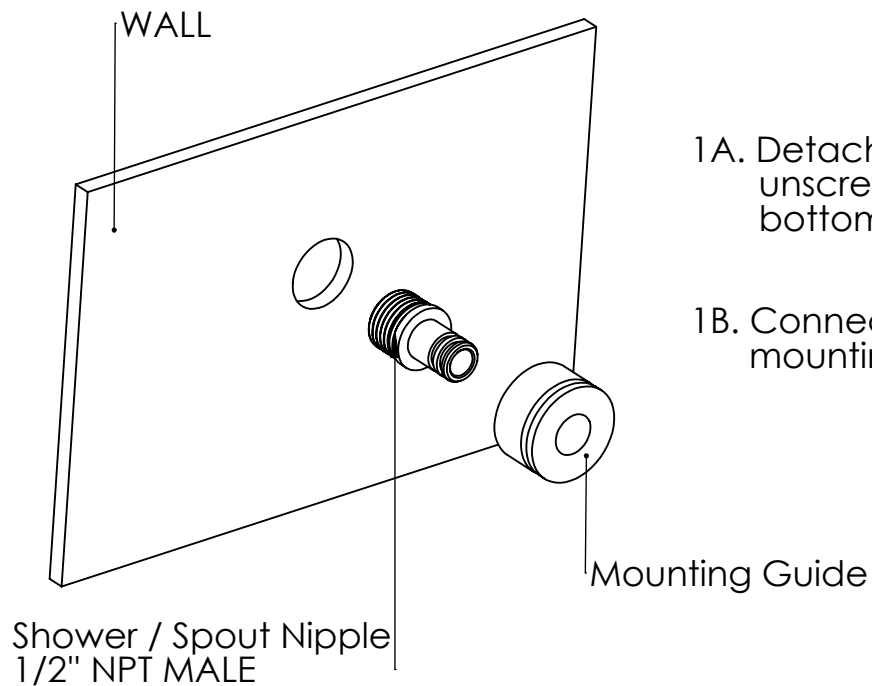


Installation Guide for SH-35WF

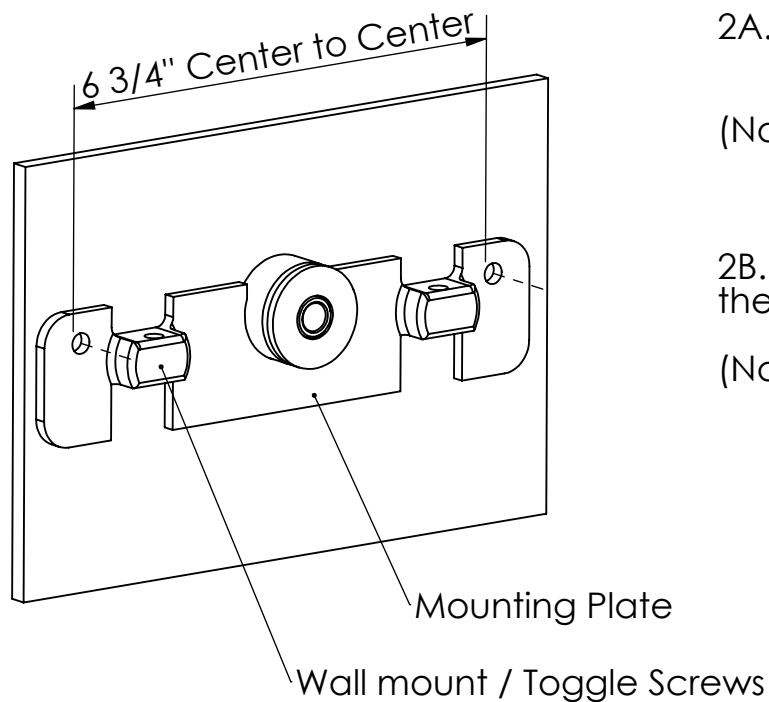


No.	Component	Quantity
1	Mounting Screw	2
2	Shower head (A)	1
3	Shower head (B)	1
4	Mounting Guide	1
5	Mounting Plate	1
6	Lock Nut	2
7	Washer	2
8	Shower Nipple	1
9	Wall Mount / Toggle Screw	2

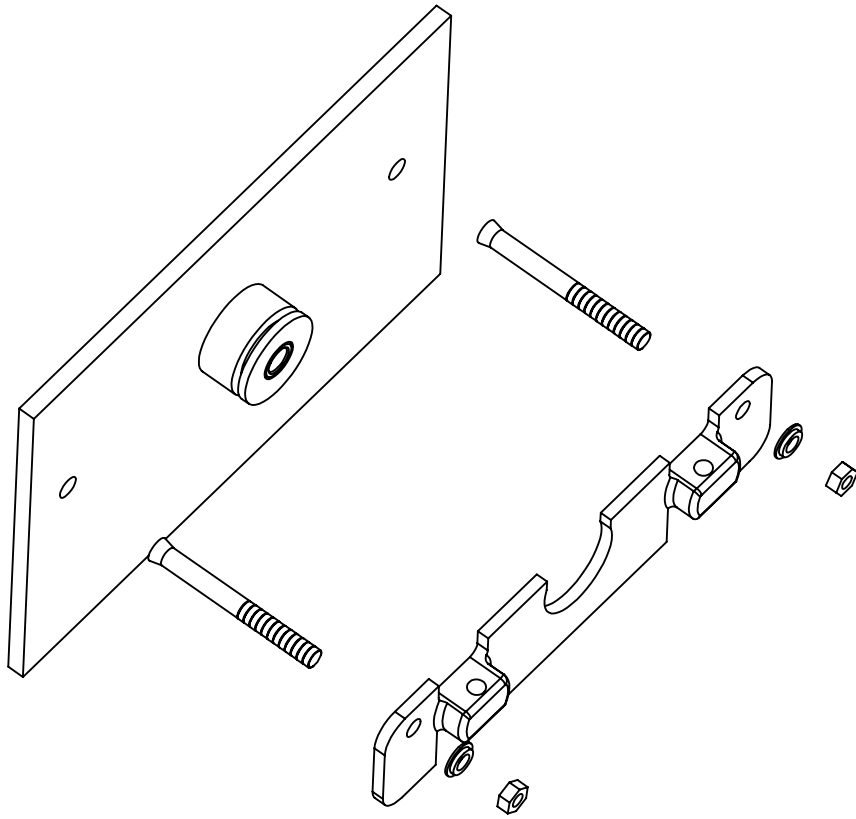
Note: The shower head is approximately 11 lbs



- 1A. Detach the mounting plate from the backside of the shower head by unscrewing the two allen screws (mounting screws) located on the bottom side of shower head B (refer to parts list view)
- 1B. Connect the shower nipple to the supply line, followed by the mounting guide.



- 2A. Align the mounting plate to the wall using the mounting guide and position it as desired.
(Note: Position of mounting guide will dictate the orientation of the shower head)
- 2B. Once the desired orientation is established, mark the points in which the holes for the wall mount screws will be located
(Note: The wall mount screw hole dimensions shown on the left figure indicates center to center)



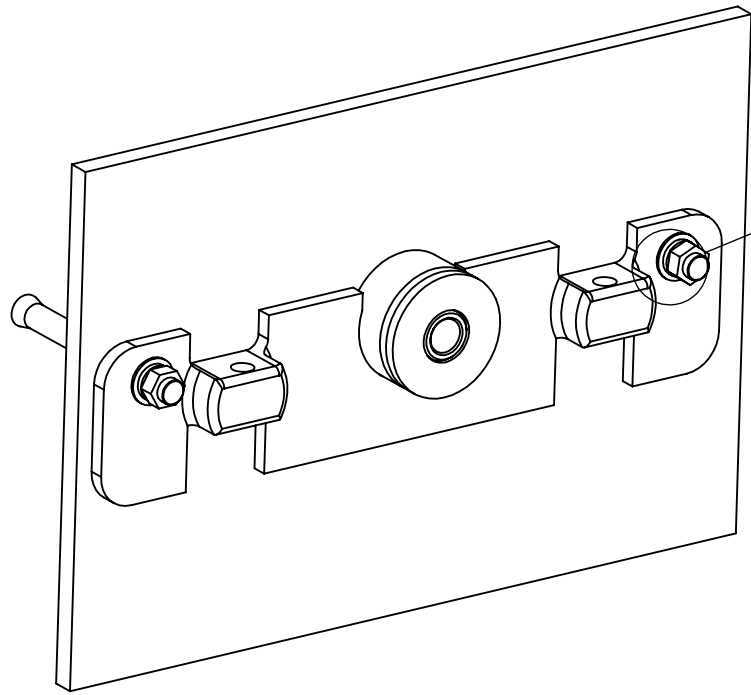
3A. Drill wall with a hole size of $21/64$ " with a maximum depth of $1\ 11/32$ ". This depth will allow the lock nut to fasten the mounting plate until it braces the wall.

See below for detailed diagram

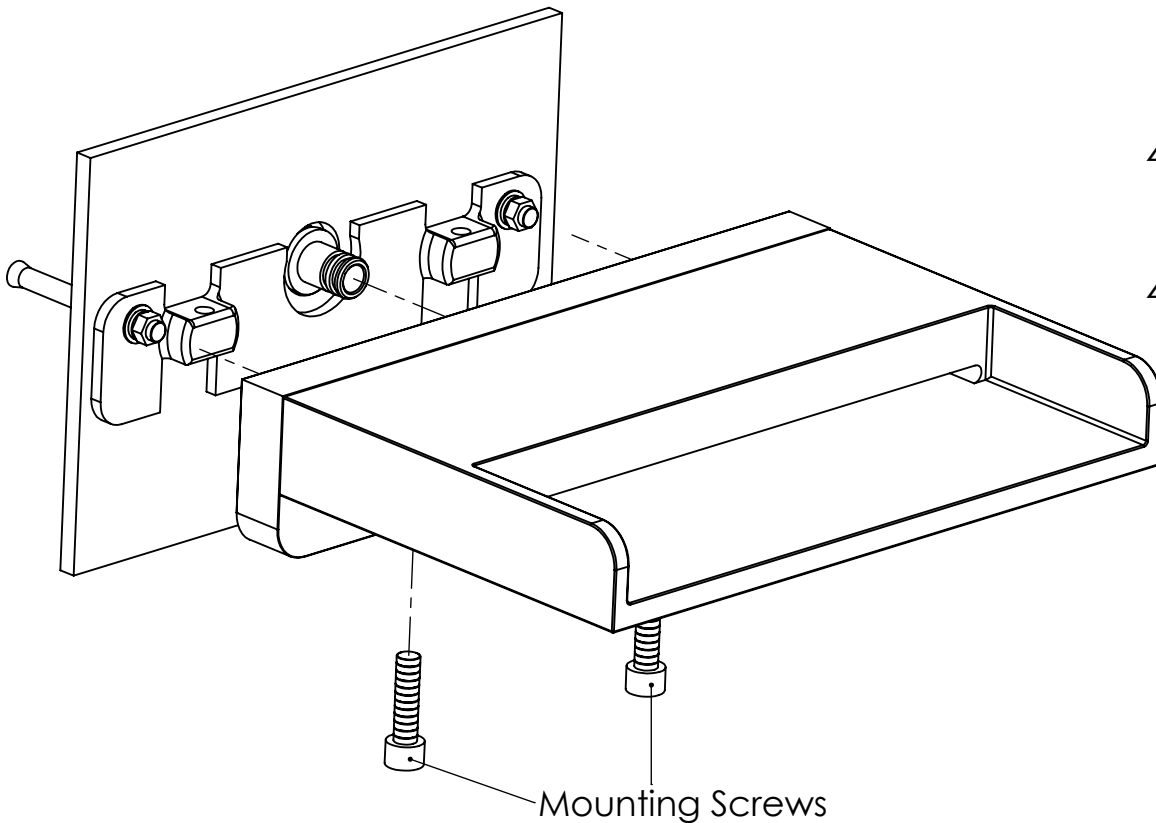
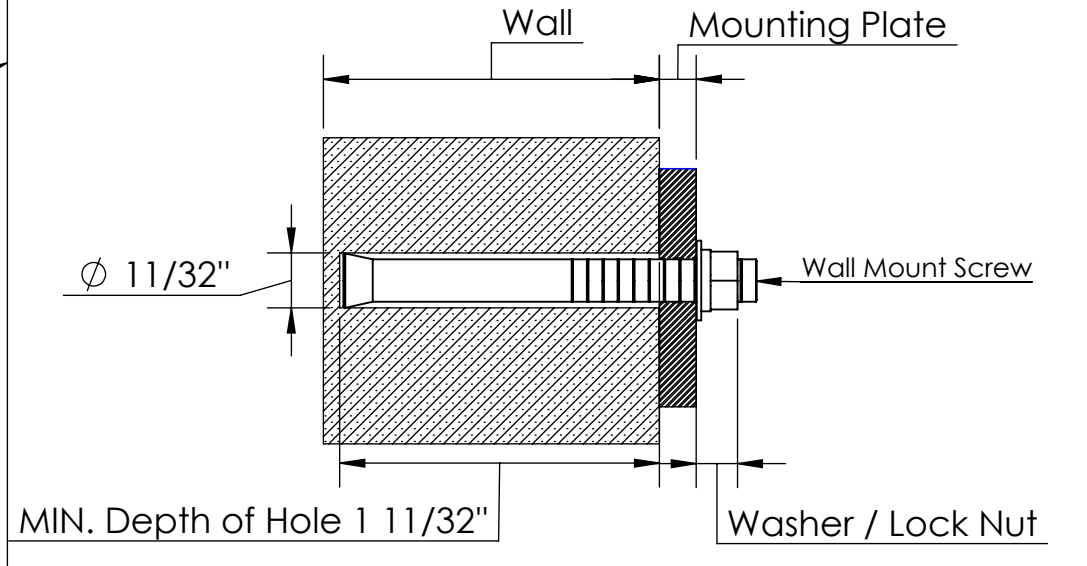
3B. Once the hole has been drilled, remove the mounting plate from the wall to insert the wall mount screws into the wall.

3C. Re-attach the mounting plate to the wall with the wall mount screws and mounting guide properly aligned.

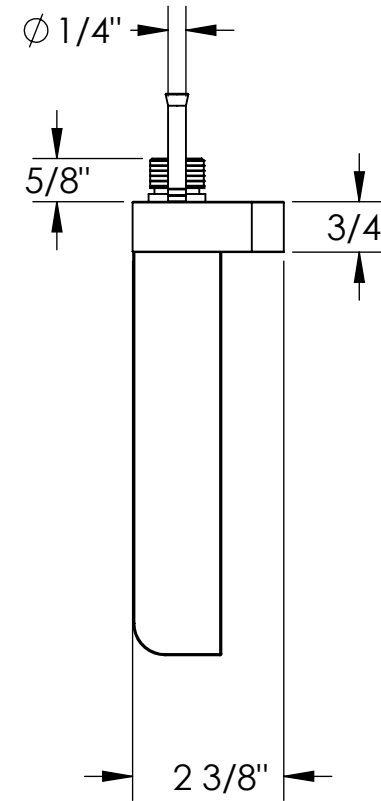
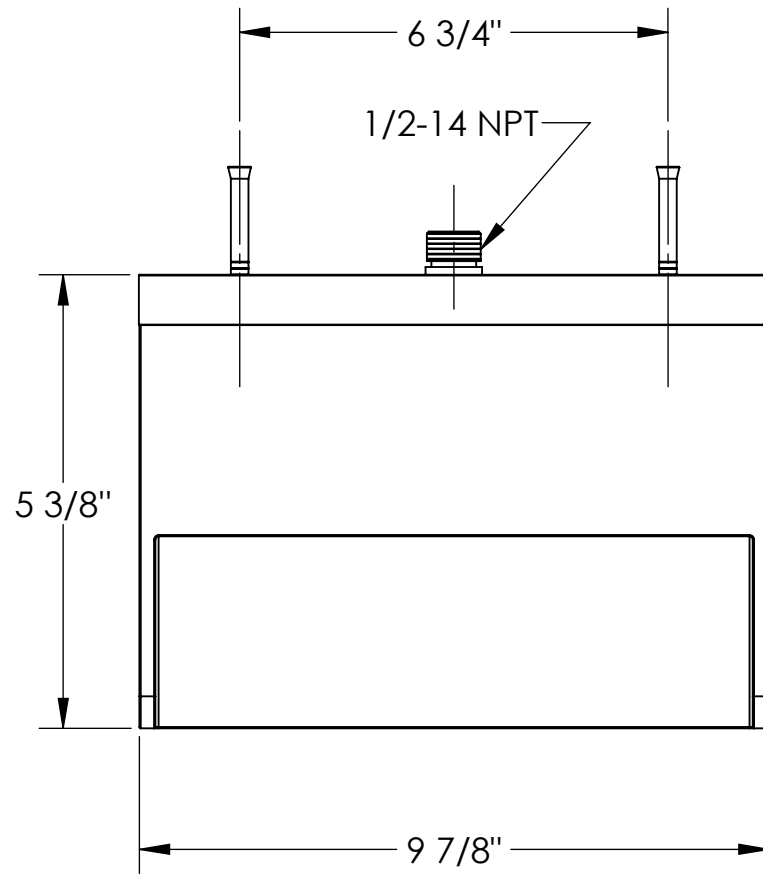
3D. Fasten mounting plate to the wall with the washers and lock nut.



Wall Mount / Toggle Screw Application



- 4A. After securing the mounting plate onto the wall, remove the mounting guide from the shower head nipple.
- 4B. Mount the shower head onto the mounting plate and secure the two parts together with the mounting screws.



Approximate Weight: 11 lbs