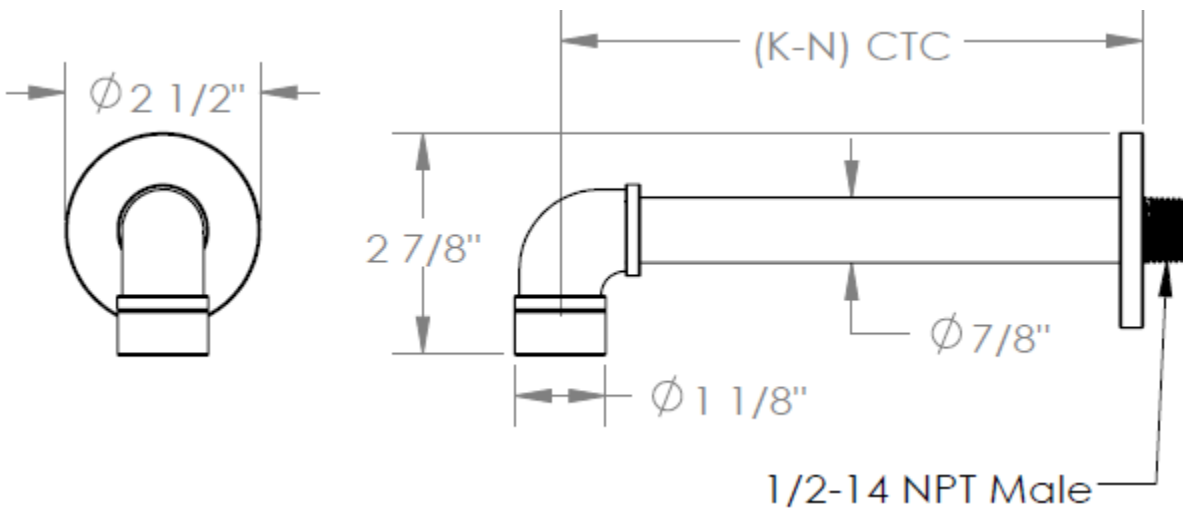
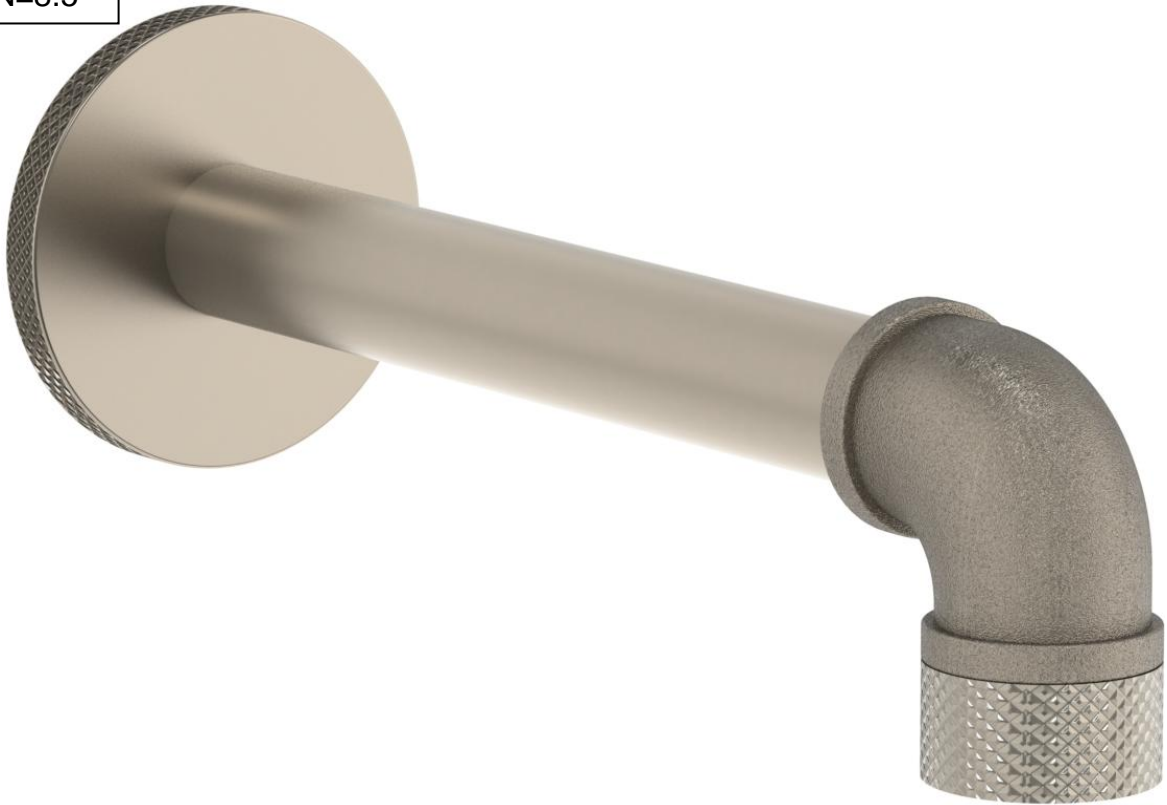


**TBSPT-38-**  
Wall Mounted Tub Spout

K=5.5"  
L=6.5"  
M=7.5"  
N=8.5"



Meets the applicable requirements of ASME A112.18.1-2005/CSA B125.1-05, entitled "Plumbing Supply Fittings"

**WATERMARK DESIGNS 11/17/2014**

350 Dewitt Ave Brooklyn NY 11207 USA T 718 257 2800 F 718 257 2144 info@watermark-designs.com