

ROUNBOW SIGNATURE™

INSTALLATION AND CARE GUIDE

MARCO VANITY FRAME BASE & SINKTOP

E052131 | E052431

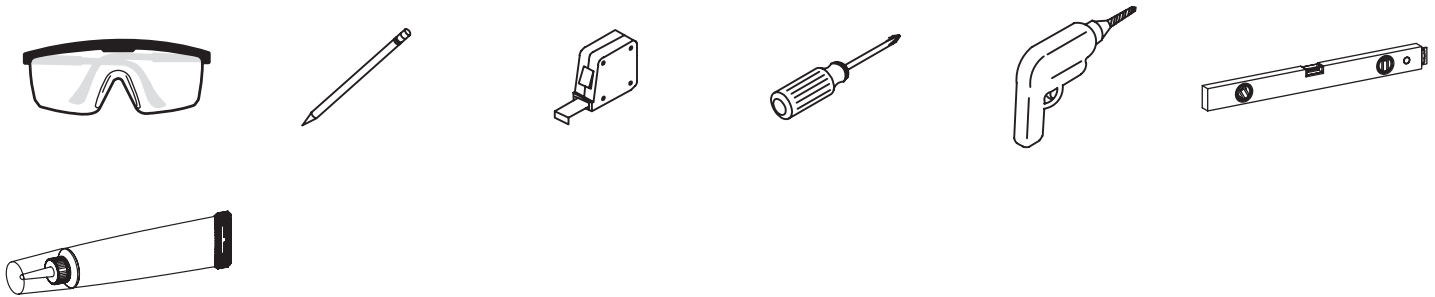
E052163 | E052463

Model : E052131 | E052431
E052163 | E052463

Designed By: RAMON ESTEVE | SPAIN

PRE-INSTALLATION

Tools Required



Materials Included

E052131 | E052431

- 4 anchors (For Installation with frame only)
- 4 long bolts
- 4 nuts
- 4 washers
- 4 collar washers
- 2 small plastic caps
- 2 large plastic caps

E052163 & E052463

- 5 anchors (For Installation with frame only)
- 5 long bolts
- 5 nuts
- 5 washers
- 5 collar washers
- 2 small plastic caps
- 2 large plastic caps

Materials Required

- 1 2x8 beam cut to size (For wall hung installation)

Model : E052131 | E052431
E052163 | E052463

Designed By: RAMON ESTEVE | SPAIN

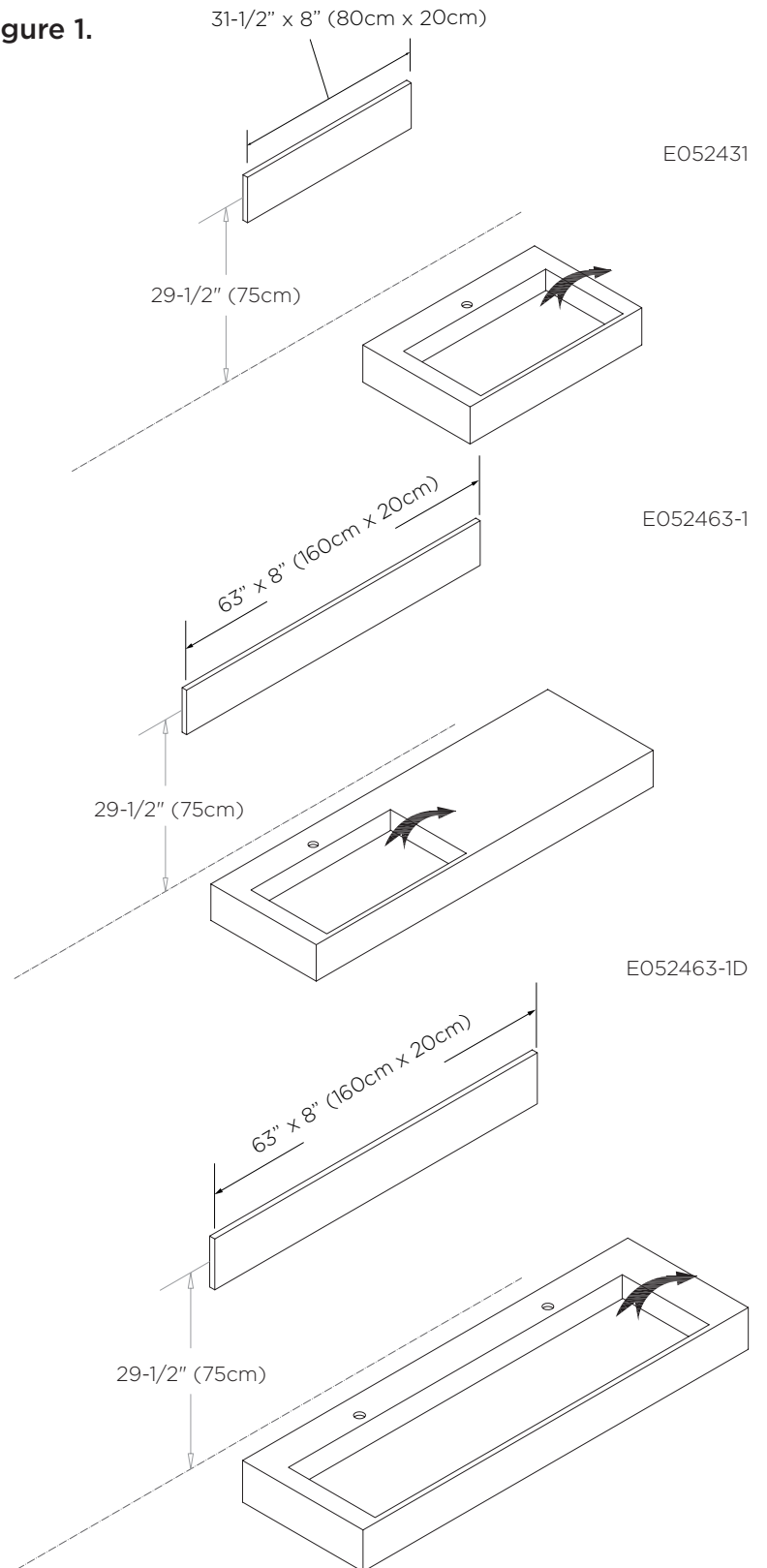
INSTALLATION AS WALL HUNG

Step 1: Determine the ideal location of your new vanity frame base and sinktop.

Notch out the front of the studs and install a 2x8 beam across the studs for the sink support. Take the measurement from each indicated Item number on the right as your beam placement.

See Figure 1.

Figure 1.



Model : E052131 | E052431
E052163 | E052463

Designed By: RAMON ESTEVE | SPAIN

INSTALLATION AS WALL HUNG - Continue

Step 2: Take out the sink drain cover and place aside.

On the back of the sinktop E052431 has two holes on each side. On the back of the sinktop E052463 has two holes on each side and one in the middle.

Mark the location of these holes on the wall. This will be the location of the anchors in the next step.

See Figure 2.
See Figure 3

Step 3: Verify the markings are level.

Then drill 8mm holes at the marked area for the long bolts.

See Figure 2.
See Figure 3

Figure 2.

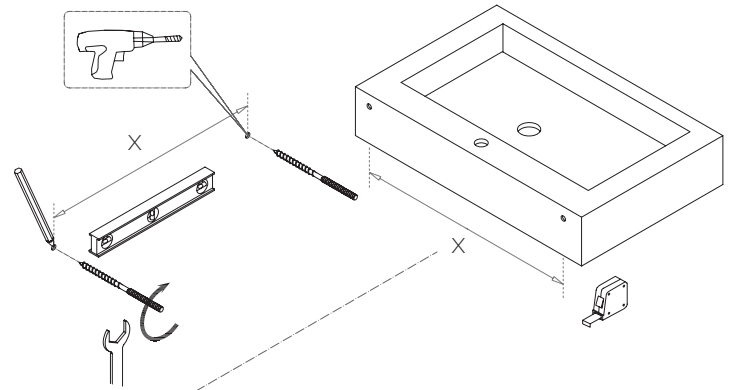
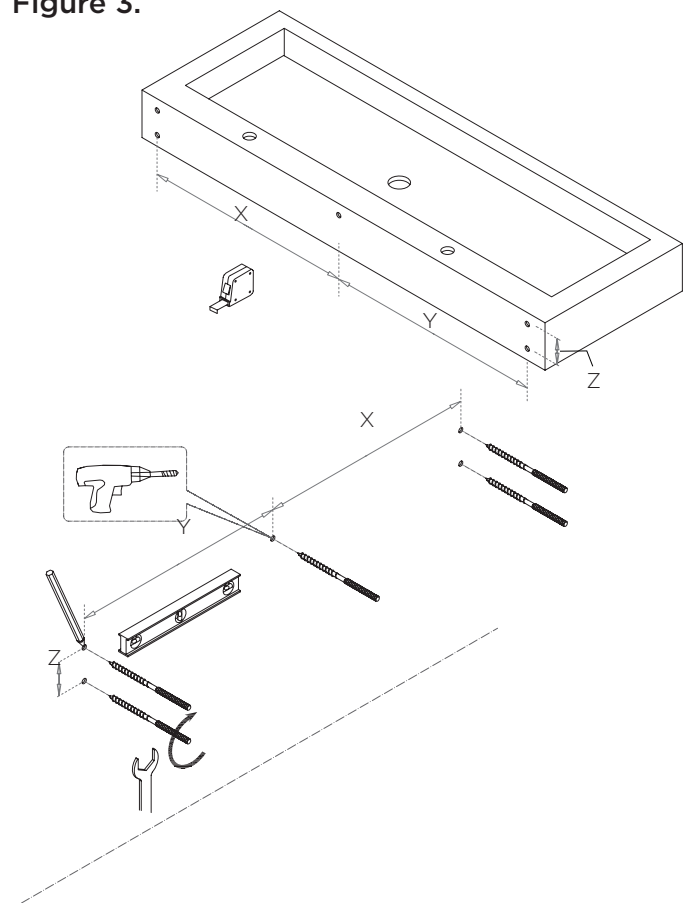


Figure 3.



Model : E052131 | E052431
E052163 | E052463

Designed By: RAMON ESTEVE | SPAIN

INSTALLATION AS WALL HUNG - Continue

Step 4: Fasten the long bolt into the wall. Make sure the bolts go far enough in to fully engage the horizontal beam.

Follow the diagram on the right.

See Figure 4.
See Figure 5.

Step 5: Slide the sink on the bolts until the back of the sink is flush against the wall.

NOTE: THIS STEPS REQUIRES TEAM WORK.

See Figure 4.
See Figure 5.

Step 6: From underneath the sink fasten the nuts and washer that came with the product.

Step 7: Verify the sink is level and is at a suitable height.

Apply a bead of silicone along the back of the sink where it meets the wall. Follow the directions on the silicone tube to allow for proper drying time before using the sink.

And place back the sink drain cover

Figure 4.

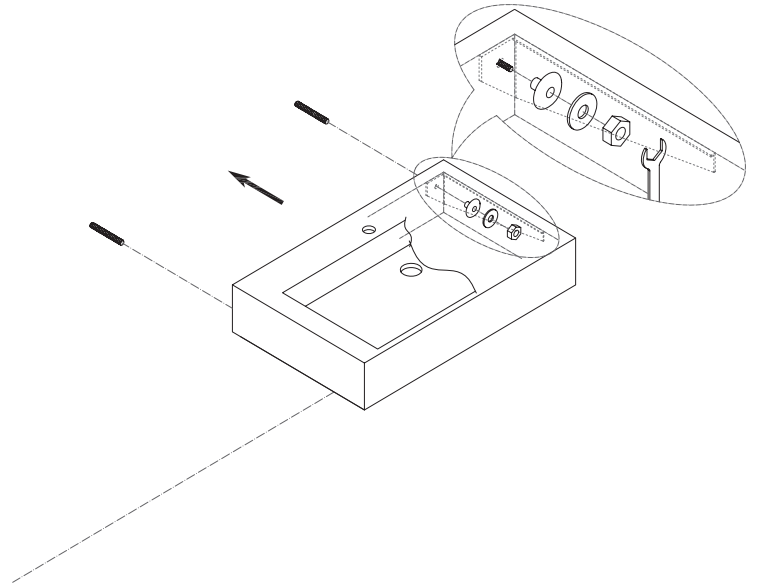
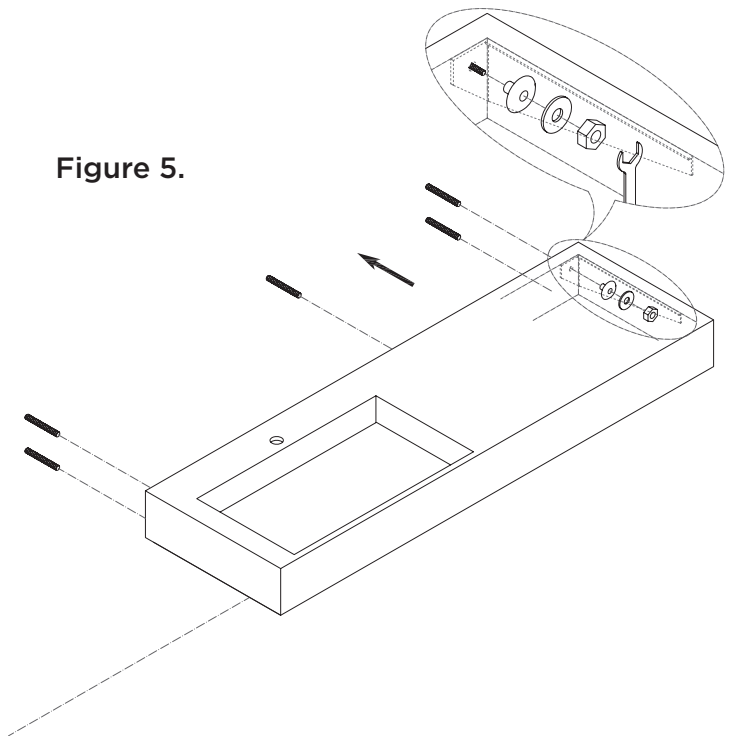


Figure 5.



Model : E052131 | E052431
E052163 | E052463

Designed By: RAMON ESTEVE | SPAIN

INSTALLATION WITH VANITY FRAME

Step 1: Determine the ideal location of your new vanity frame base and sinktop.

NOTE: It is highly recommended to install a 2x8 beam across the studs. This will provide more stability for the products.

NOTE: If 2x8 beam is installed, please discard the anchor and follow the wall hung installation instruction.

Step 2: Place the metal frame and sinktop into position.

Inside the sinktop E052431 are two holes on each side. Inside the sinktop E052463 are two holes on each side and one in the middle.

Mark the location of these holes on the wall. This will be the location of the anchors in the next step.

Step 3: Verify the markings are level.

Drill 5/16" pilot holes, then push the anchors into each pilot hole.

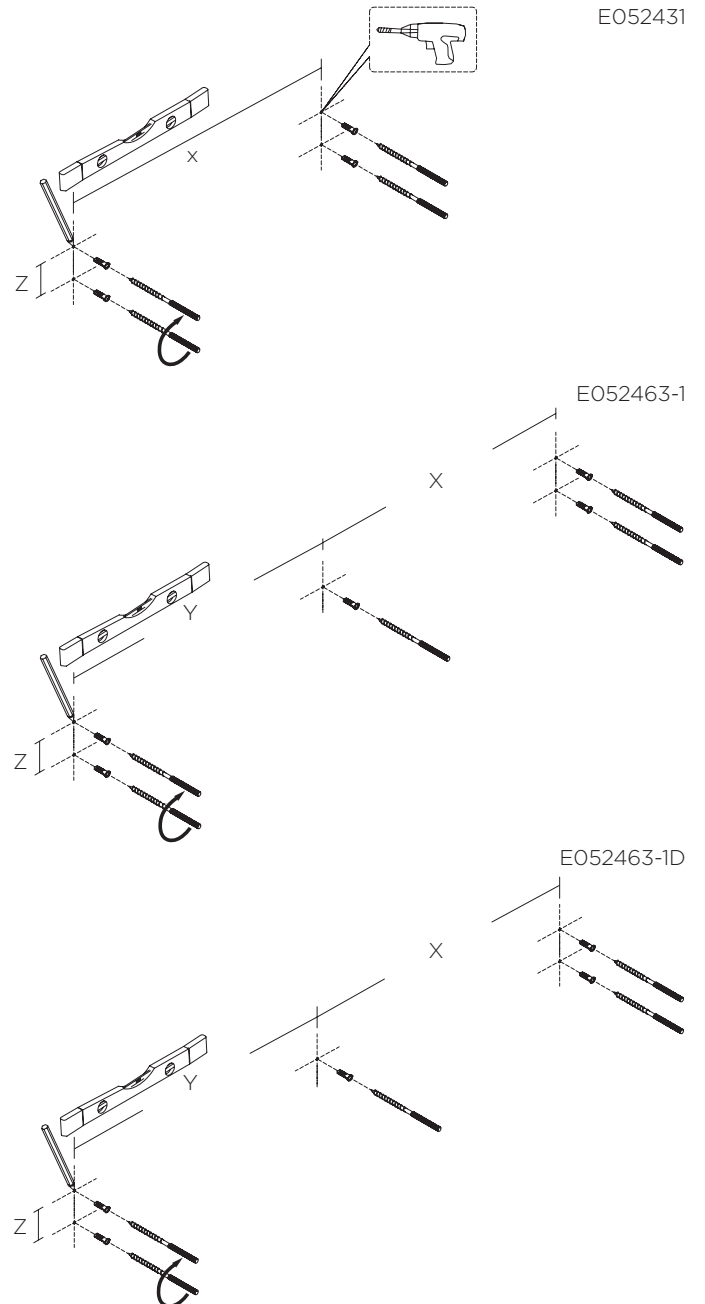
See Figure 6.

Step 4: Fasten the long bolt into each anchor.

Follow the diagram on the right.

See Figure 6.

Figure 6.



Model : E052131 | E052431
E052163 | E052463

Designed By: RAMON ESTEVE | SPAIN

INSTALLATION WITH VANITY FRAME

Step 5: Apply silicone to the top of the metal frame and gently place the sinktop over the frame.

Verify the sinktop is level.

Follow the directions on the silicone to allow for ample drying time.

See Figure 7.

Step 6: Slide the sinktop on to the bolts until the back of the sink is flush against the wall.

From underneath the sinktop fasten the nuts and washers that came with the product.

And place back the sink drain cover.

See Figure 8.

Step 7 : There are four pre-drilled holes for the optional towel bar.

Place plastic caps in each of the pre-drilled hole.

See Figure 9.

Step 8 : Install the faucet and drain per the manufacturer instructions.

Figure 7.

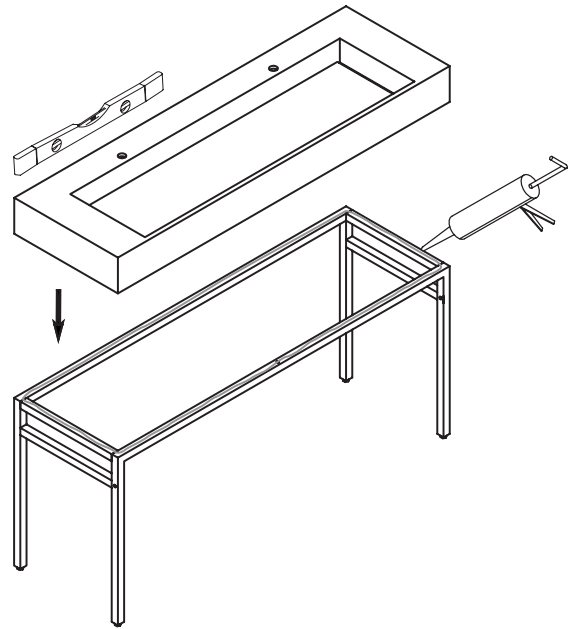


Figure 8.

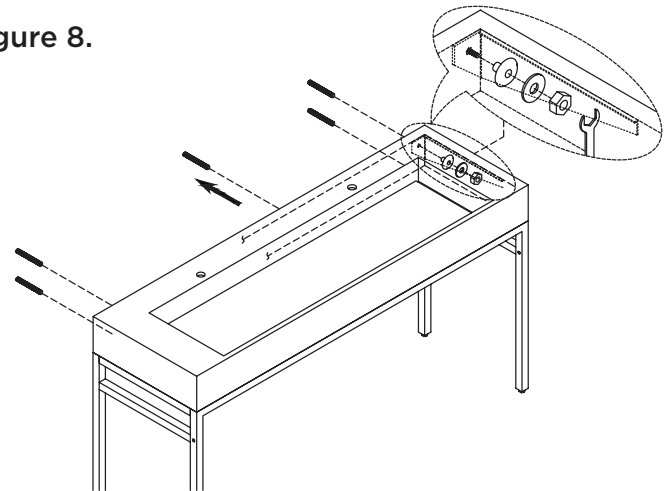
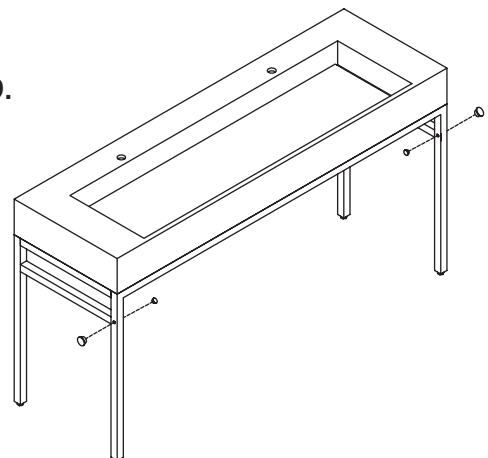


Figure 9.



Model : E052131 | E052431
E052163 | E052463

Designed By: **RAMON ESTEVE** | SPAIN

PRODUCT CARE AND MAINTENANCE

The fine furniture finish of your new vanity, mirror or other bathroom accessories are designed to protect against normal home use. With proper care, your product will provide years of use and beauty in your home.

General Care Tips

- Test cleaning product on small, discrete area prior to applying to entire surface.
- Wipe surfaces frequently with dry, soft, non-abrasive and lint-free towel.
- Do not allow liquids and moisture to accumulate on the surface of products.
- For warranty information, please visit our website at www.ronbow.com or contact the Customer Service Department at (510) 713-1188.

Solid Surface Sinks

- After applying recommended cleaning products, wipe surfaces clean and rinse completely with water immediately
- Use mild cleaning solution only, Strong, abrasive cleaners are not recommended, and can damage surface. Do not allow cleaner to soak.
- Use a soft, dampened sponge or cloth. Never use an abrasive materials such as a brushed or scouring pad to clean surface.
- Always test your cleaning solution on a inconspicuous area before apply to the entire surface.
- Hot pans, electric frying pans, waffle irons, crock-pots, and other heat-generating appliances can damage the surface. To prevent heat damager, always use a trivet with rubber feet between the appliance and the countertop.
- Avoid exposing solid surface to strong chemicals, such as paint removers, oven cleaner, ect. If contact occurs, quickly flush the surface with water.
- Remove nail polish with a non-acetone-based nail polish remover and flush with water.
- Do not cut directly on your solid surface countertop. Cutting directly on it will damage the surface.
- Run cold water when pouring boiling water into sinks
- Soapy water and a sponge will remove most stains. Do not use 409 or Fantastik.
- For more stubborn stains use a blue scotch-brite pad and Soft-Scrub.

Recommended Products

- Proprietary Bathroom Cleaning Products

DISCLAIMERS: Effectiveness of cleaning your Ronbow products is dependent on various factors that include: water temperature, concentration and/or amounts of cleansers. Because of these many different conditions, Ronbow cannot guarantee that the above Product Care & Maintenance methods will effectively clean your product.

RONBOW

40650 Encyclopedia Circle
Fremont, CA 94538

T 510.713.1188
F 510.657.9388

ronbow.eu | ronbow.com