

**Model :** E022212

Designed By: **DANELONMERONI** | UNITED KINGDOM

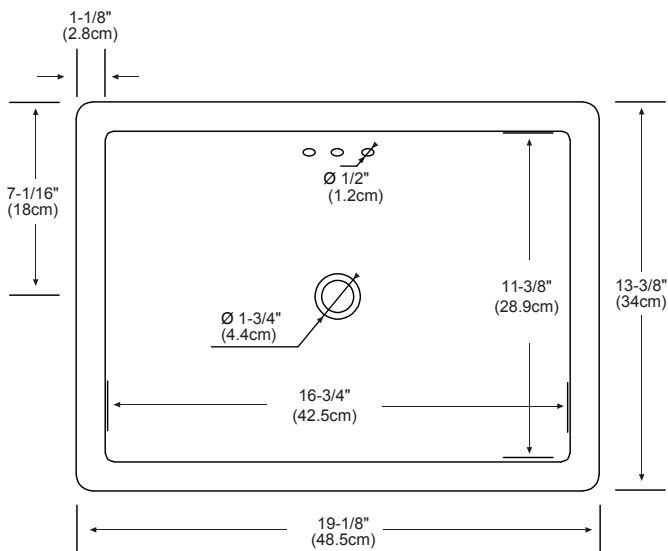
**Features :** No overflow  
Fully glazed bottom  
Works with drain 702804  
Drain sold separately

**Available Finish :** White (WH)

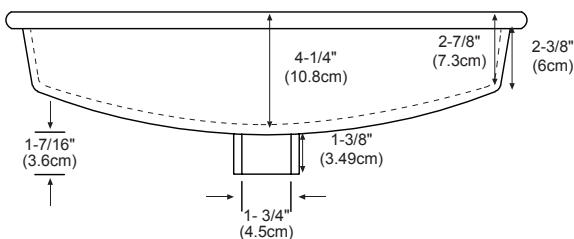
**Codes/Standards Applicable :** Specified model meets or exceeds the following:

- ASME A112.19.2
- IAPMO/cUPC
- CSA B45
- CMR 248

### Top



### Front



### Side

