

SIGNATURE SERIES

by RONBOW

INSTALLATION AND CARE GUIDE

BRIT VANITY

E020627

E020641

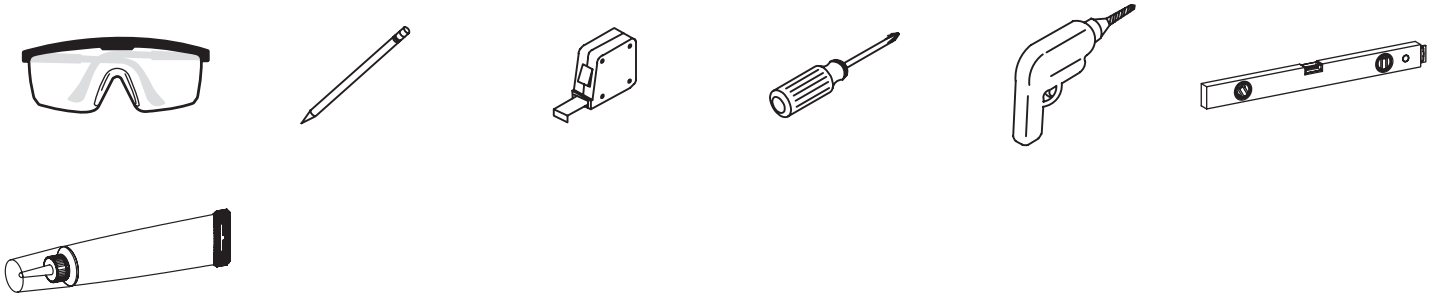
E020653

Model : E020627
E020641
E020653

Designed By: DANELONMERONI | UNITED KINGDOM

PRE-INSTALLATION

Tools Required



Materials Included

4 leg levelers

Materials Required

3 wood screws
1 2x4 beam cut to size

Model : E020627
E020641
E020653

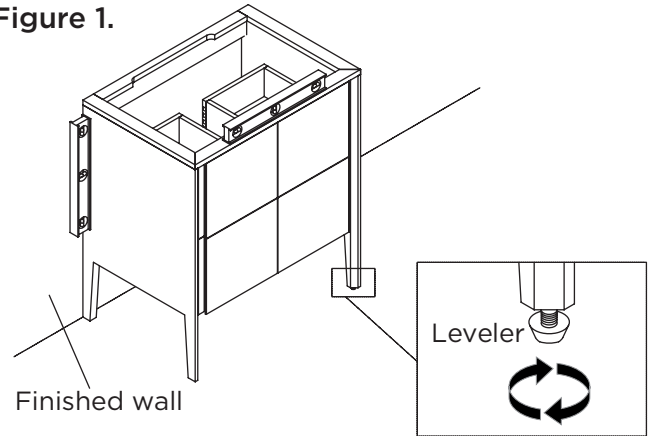
Designed By: DANELONMERONI | UNITED KINGDOM

INSTALLATION

Step 1: Determine the ideal location of your new vanity.

Check if the location has at least two studs. Front notch the studs and install a 2x4 horizontal beam. This will be used later to attach the vanity for added stability.

Figure 1.



Step 2: Remove the drawers. Refer to page 4.

Verify the vanity is level. Adjust the leg levelers if needed.

Step 3: Attach the vanity to the wall where the horizontal beam is located.

See Figure 1.

Model : E020627
E020641
E020653

Designed By: DANELONMERONI | UNITED KINGDOM

INSTALLING THE UNDERCOUNTER SINK AND TOP

Step 1: Clean the under-side of the top with a clean damp cloth.

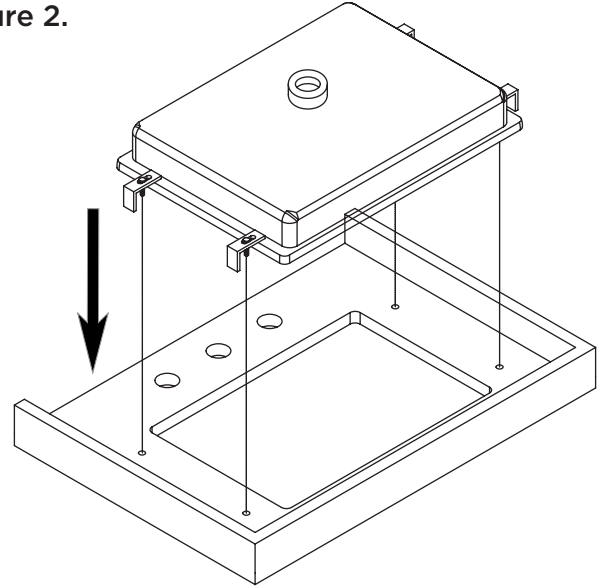
Apply a thin bead of silicone around surface.

Step 2: Install the sink to the top using the L-clips provided. Fasten each L-clip and let the silicone dry.

Follow the directions on the silicone tube for drying time.

See Figure 2.

Figure 2.



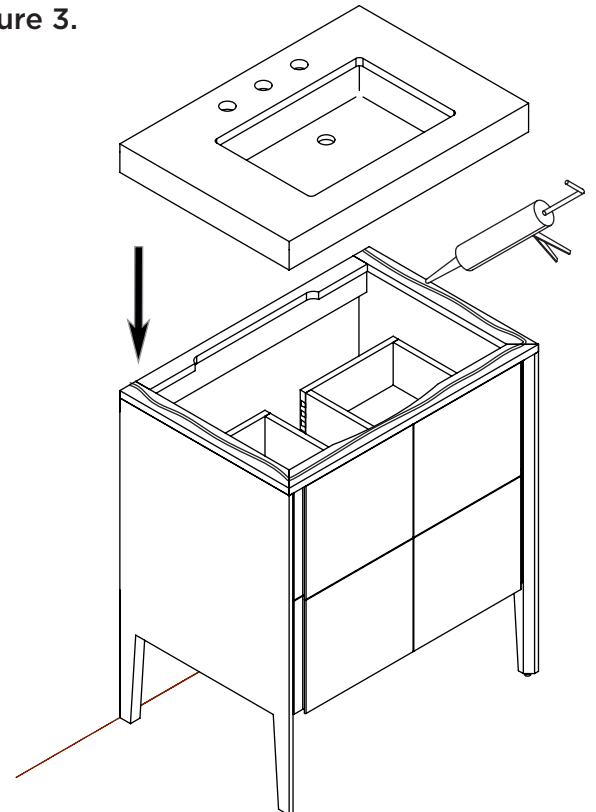
Step 3: Clean the surface of the vanity with a clean damp cloth.

Apply a thin bead of silicone around the surface.

Allow for sufficient drying times and avoid using the sink during this time.

See Figure 3.

Figure 3.



Step 4: Install the faucet and drain per the manufacturer's instructions.

Model : E020627
E020641
E020653

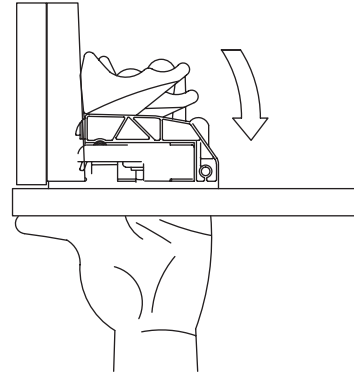
Designed By: DANELONMERONI | UNITED KINGDOM

REMOVE DRAWER

Step 1: Pull the release latches located underneath the drawer.

See Figure 4.

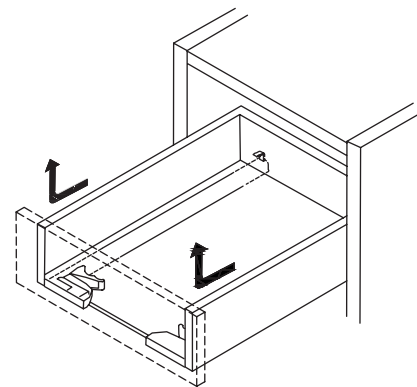
Figure 4.



Step 2: Slide and lift up the drawer box.

See Figure 5.

Figure 5.

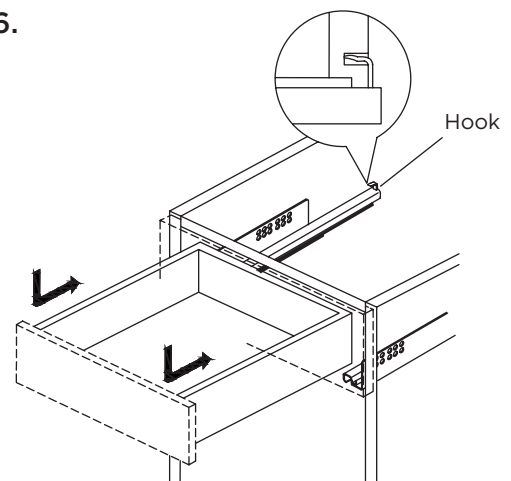


REINSTALL DRAWER

Step 1: Slide drawer box in until secured by rail hook.

See Figure 6.

Figure 6.



<https://youtu.be/4DdK3cj3sTU>

Model : E020627
E020641
E020653

Designed By: DANELONMERONI | UNITED KINGDOM

PRODUCT CARE AND MAINTENANCE

The fine furniture finish of your new vanity, mirror or other bathroom accessories are designed to protect against normal home use. With proper care, your product will provide years of use and beauty in your home.

General Care Tips

- Test cleaning product on small, discrete area prior to applying to entire surface.
- Wipe surfaces frequently with dry, soft, non-abrasive and lint-free towel.
- Do not allow liquids and moisture to accumulate on the surface of products.
- For warranty information, please visit our website at www.ronbow.com or contact the Customer Service Department at (510) 713-1188.

Wood Surfaces

- If a spill occurs, clean and dry the surface immediately as liquid can soak through the surface and cause greater damage.
- Do not place in direct sunlight. Exposure to sunlight may affect the appearance of your vanity, and the finish will eventually crack.
- Keep away from direct sources of extreme temperatures as heat, cold or moisture from humidity. Color changes, or blemishes in the wood can occur if recommended care of is not met. Try to avoid these extremes.
- Most wood surfaces can be cleaned, or dusted, with any commercial wood cleaning product. For general cleaning, use a non-abrasive, or lint-free cloth while dusting along the wood grain to preserve the wood's characteristics.

Recommended Products

- Pledge Orange Oil, or similar
- Orange-Glo Wood Cleaner

DISCLAIMERS: Wood naturally ages, darkens and changes color over time due to several environmental conditions that may cause materials to vary from their original color and/or to warp, split or crack. These variations are considered to be the nature of the material in relation to their environmental exposure and may be significant over a long period of time. The effectiveness of cleaning Ronbow product is dependant on various factors that include sunlight, smoke, moisture, household cleaners and/or amount of cleaning product used over time. Ronbow cannot guarantee that the above Product Care & Maintenance methods will effectively clean your product.

RONBOW

40650 Encyclopedia Circle
Fremont, CA 94538

T 510.713.1188
F 510.657.9388

ronbow.eu | ronbow.com