

# SIGNATURE SERIES

by RONBOW

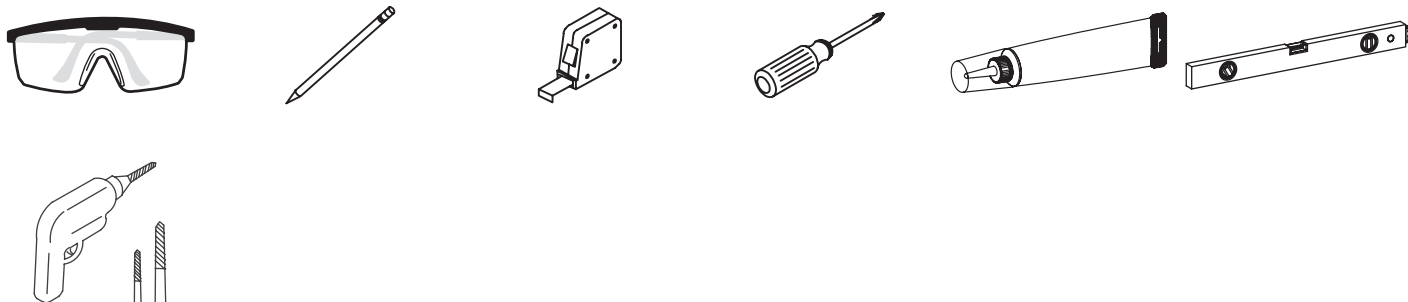
## INSTALLATION AND CARE GUIDE

**SINK**  
Semi-Recessed

Model : E012004      E022103  
          E022001      E022104  
          E022005      E022106  
          E022006

**PRE-INSTALLATION**

**Tools Required**



**MATERIALS REQUIRED**

1 drain

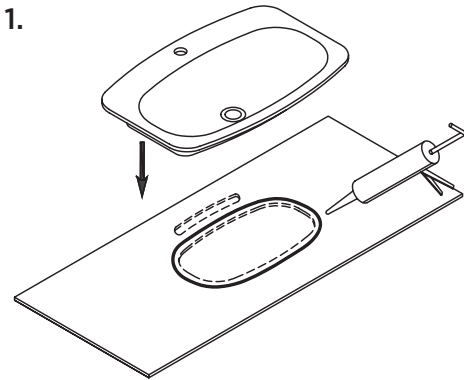
Model : E012004      E022103  
          E022001      E022104  
          E022005      E022106  
          E022006

**INSTALLATION**

**Step 1:** Position countertop opening to ensure clearance between the lavatory, faucet, and backsplash. Set sink and seal with silicone or caulking.

**See Figure 1.**

**Figure 1.**

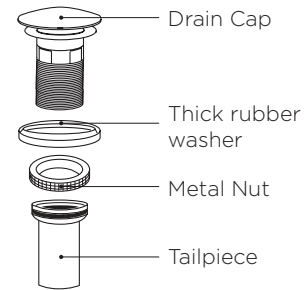


**Step 2:** Place a generous portion of plumbers' putty under drain cap and insert whole drain body inside the bowl and through the countertop.

**Note:** There may be a small beveled rubber washer packaged with your drain, please discard this and use plumbers' putty instead.

**See Figure 2.**

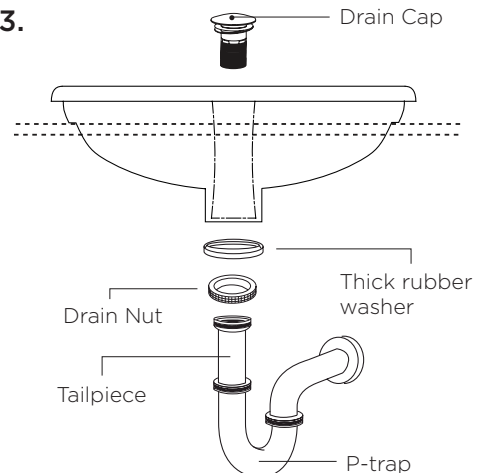
**Figure 2.**



**Step 3:** From under the drain, insert the thick rubber washer, screw on and tighten the metal nut. Remove excess plumbers' putty.

**See Figure 3.**

**Figure 3.**



**Step 4:** Attach p-trap to tailpiece.

**Model :** E012004      E022103  
          E022001      E022104  
          E022005      E022106  
          E022006

## PRODUCT CARE AND MAINTENANCE

The fine furniture finish of your new vanity, mirror or other bathroom accessories are designed to protect against normal home use. With proper care, your product will provide years of use and beauty in your home.

### General Care Tips

- Test cleaning product on small, discrete area prior to applying to entire surface.
- Wipe surfaces frequently with dry, soft, non-abrasive and lint-free towel.
- Do not allow liquids and moisture to accumulate on the surface of products.
- For warranty information, please visit our website at [www.ronbow.com](http://www.ronbow.com) or contact the Customer Service Department at (510) 713-1188.

### Ceramic Sinks

- If a spill occurs, clean and dry the surface immediately as liquid can soak through the surface and cause greater damage.
- Do not place in direct sunlight. Exposure to sunlight may affect the appearance of your vanity, and the finish will eventually crack.
- Keep away from direct sources of extreme temperatures as heat, cold or moisture from humidity. Color changes, or blemishes in the wood can occur if recommended care of is not met. Try to avoid these extremes.
- Most wood surfaces can be cleaned, or dusted, with any commercial wood cleaning product. For general cleaning, use a non-abrasive, or lint-free cloth while dusting along the wood grain to preserve the wood's characteristics.

### Recommended Products

- Bar Keeper's Friend
- Household Vinegar
- Proprietary Bathroom Cleaning Products

**DISCLAIMERS:** Effectiveness of cleaning your Ronbow products is dependent on various factors that include: water temperature, concentration and/or amounts of cleansers. Because of these many different conditions, Ronbow cannot guarantee that the above Product Care & Maintenance methods will effectively clean your product.

**Model :** E012004      E022103  
          E022001      E022104  
          E022005      E022106  
          E022006

## Solid Surface Sinks

- After applying recommended cleaning products, wipe surfaces clean and rinse completely with water immediately
- Use mild cleaning solution only, Strong, abrasive cleaners are not recommended, and can damage surface. Do not allow cleaner to soak.
- Use a soft, dampened sponge or cloth. Never use an abrasive materials such as a brushed or scouring pad to clean surface.
- Always test your cleaning solution on a inconspicuous area before apply to the entire surface.
- Hot pans, electric frying pans, waffle irons, crock-pots, and other heat-generating appliances can damage the surface. To prevent heat damager, always use a trivet with rubber feet between the appliance and the countertop.
- Avoid exposing solid surface to strong chemicals, such as paint removers, oven cleaner, ect. If contact occurs, quickly flush the surface with water.
- Remove nail polish with a non-acetone-based nail polish remover and flush with water.
- Do not cut directly on your solid surface countertop. Cutting directly on it will damage the surface.
- Run cold water when pouring boiling water into sinks
- Soapy water and a sponge will remove most stains. Do not use 409 or Fantastik.
- For more stubborn stains use a blue scotch-brite pad and Soft-Scrub.

## Recommended Products

- Proprietary Bathroom Cleaning Products

**DISCLAIMERS:** Effectiveness of cleaning your Ronbow products is dependent on various factors that include: water temperature, concentration and/or amounts of cleansers. Because of these many different conditions, Ronbow cannot guarantee that the above Product Care & Maintenance methods will effectively clean your product.

# RONBOW

40650 Encyclopedia Circle  
Fremont, CA 94538

T 510.713.1188  
F 510.657.9388

[ronbow.eu](http://ronbow.eu) | [ronbow.com](http://ronbow.com)