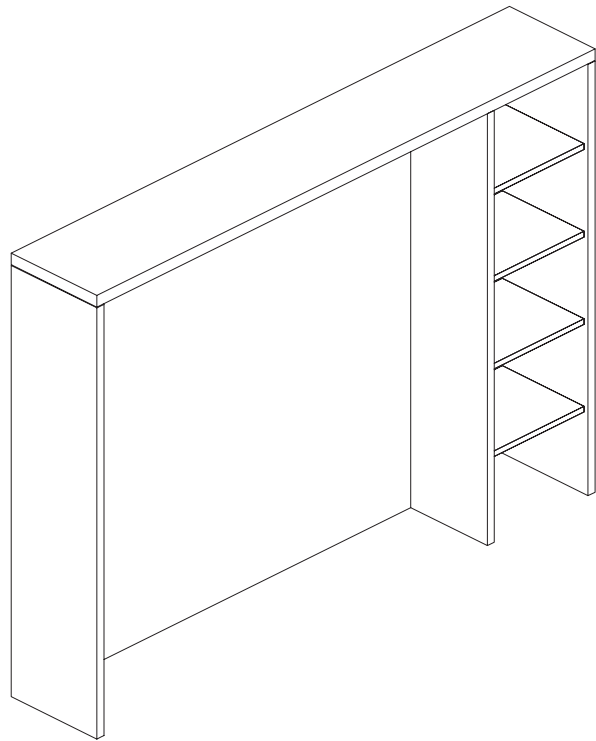


RAINBOW SIGNATURE™



INSTALLATION AND CARE GUIDE

50" LED Hutch

E034150

E034250

Model : E034150
E034250

Designed By: MATTEO THUN & ANTONIO RODRIGUEZ | ITALY

PRE-INSTALLATION

Tools Required



NOTE: Team work required

Materials Included

- 2 anchors
- 2 L-bracket
- 4 screws

Materials Required

- 1 2x6 beam cut to size
- 6 2-1/2" wood screws

NOTE: Determine the best installation method that best fits your needs.

Model : E034150
E034250

Designed By: MATTEO THUN & ANTONIO RODRIGUEZ | ITALY

INSTALLING L-BRACKET

Step 1: Measure the distance of the hutch width and height. Mark the intersection of the center of the hutch width and the height of the hutch. The x, y location is the suggested L-bracket location.

NOTE: Locate a stud and place the L-bracket at the x, y.

x= Height of the Cabinet + height of hutch

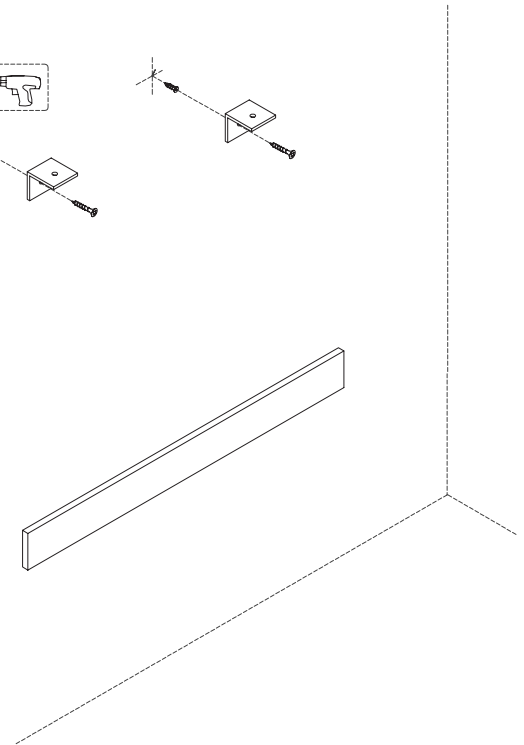
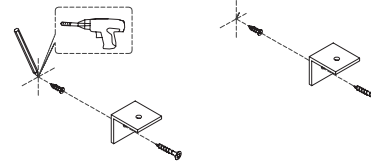
y= Width of the hutch @ desired location

x=

y=

See Figure 1.

Figure 1.



Step 2: Cut a rough opening for the electrical box.

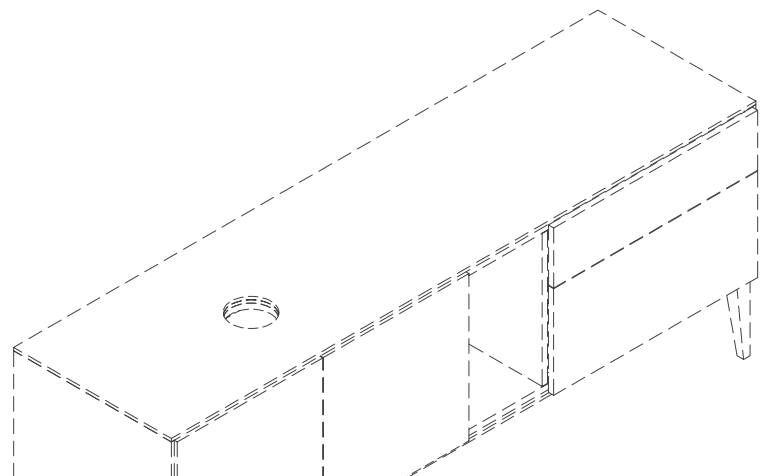
Connect the wires from the hutch to the wires of the electrical box.

Place the transformer located in the back of the hutch into the wall.

Figure 2.



See Figure 2.



Model : E034150
E034250

Designed By: MATTEO THUN & ANTONIO RODRIGUEZ | ITALY

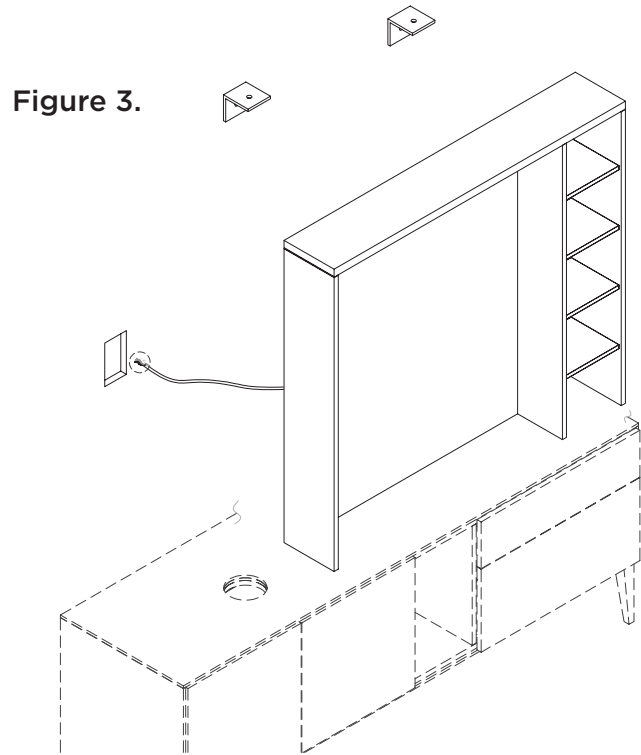
Step 6: Carefully lift the hutch so the cleats on the back of the hutch sit on the wall cleats.

See Figure 3.

NOTE: Team work required

Step 7: There may be a slight gap after installing the hutch. This can be eliminated using the leg levelers of the vanity.

NOTE: Team work required



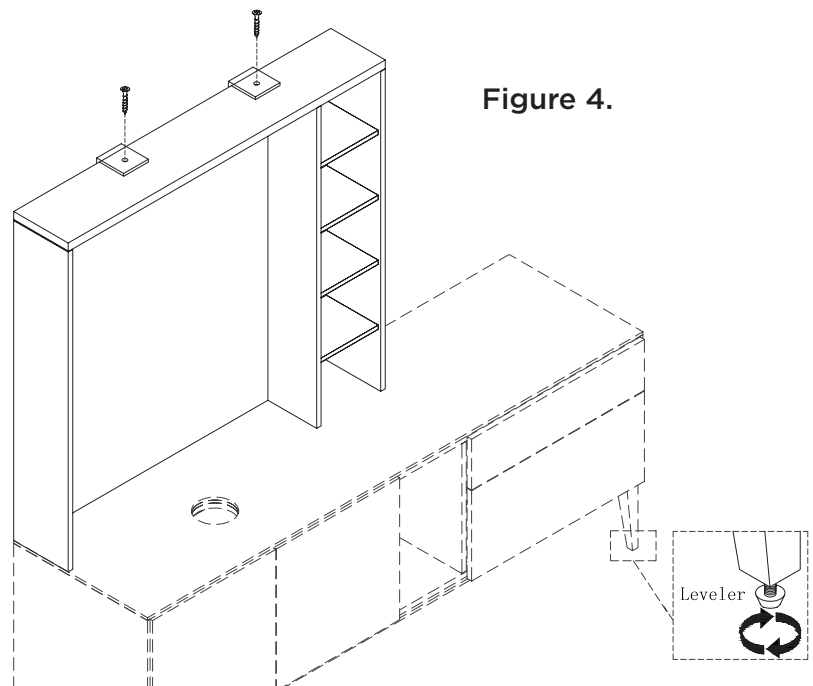
SECURE THE HUTCH

Step 1: Determine the ideal position of the hutch.

Step 2: Secure the L-bracket using the short screws provided and screw into the hutch.

See Figure 4.

NOTE: Team work required



**Model : E034150
E034250**Designed By: **MATTEO THUN & ANTONIO RODRIGUEZ | ITALY**

PRODUCT CARE AND MAINTENANCE

The fine furniture finish of your new vanity, mirror or other bathroom accessories are designed to protect against normal home use. With proper care, your product will provide years of use and beauty in your home.

General Care Tips

- Test cleaning product on small, discrete area prior to applying to entire surface.
- Wipe surfaces frequently with dry, soft, non-abrasive and lint-free towel.
- Do not allow liquids and moisture to accumulate on the surface of products.
- For warranty information, please visit our website at www.ronbow.com or contact the Customer Service Department at (510) 713-1188.

Wood Surfaces

- If a spill occurs, clean and dry the surface immediately as liquid can soak through the surface and cause greater damage.
- Do not place in direct sunlight. Exposure to sunlight may affect the appearance of your vanity, and the finish will eventually crack.
- Keep away from direct sources of extreme temperatures as heat, cold or moisture from humidity. Color changes, or blemishes in the wood can occur if recommended care of is not met. Try to avoid these extremes.
- Most wood surfaces can be cleaned, or dusted, with any commercial wood cleaning product. For general cleaning, use a non-abrasive, or lint-free cloth while dusting along the wood grain to preserve the wood's characteristics.

Recommended Products

- Pledge Orange Oil, or similar
- Orange-Glo Wood Cleaner

DISCLAIMERS: Wood naturally ages, darkens and changes color over time due to several environmental conditions that may cause materials to vary from their original color and/or to warp, split or crack. These variations are considered to be the nature of the material in relation to their environmental exposure and may be significant over a long period of time. The effectiveness of cleaning Ronbow product is dependant on various factors that include sunlight, smoke, moisture, household cleaners and/or amount of cleaning product used over time. Ronbow cannot guarantee that the above Product Care & Maintenance methods will effectively clean your product.

RONBOW

40650 Encyclopedia Circle
Fremont, CA 94538

T 510.713.1188
F 510.657.9388

ronbow.eu | ronbow.com