

Model : E026113

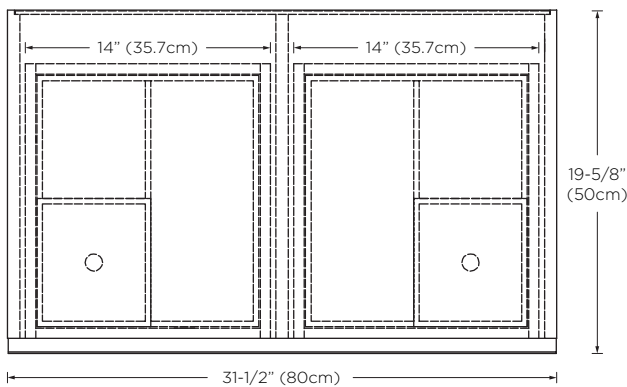
Designed By: DANELONMERONI | UK

- Features :** Floor standing cabinet for additional storage
1 full-extension, soft-close double drawer with Hettich brand hardware
Bamboo drawer organizers
Woven fiber drawer liners
Polished Nickel (PN) full width drawer pull
Fully finished interiors
Dovetail drawer construction
Solid wood construction (no MDF)
Multi-step polyurethane finish resists moisture and scratches

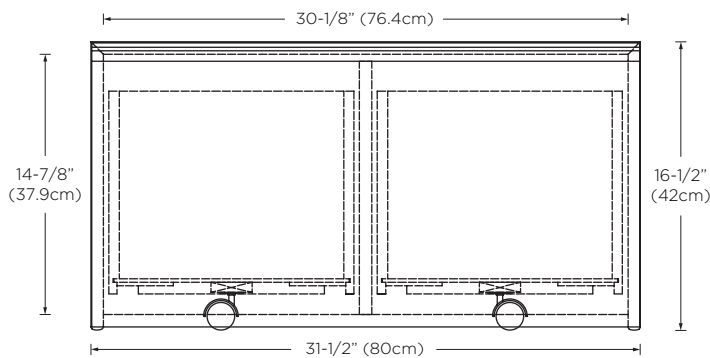
All Ronbow cabinets are made of solid hardwood or hardwood plywood and meet strict CARB II Standards. No particle board or Micro-Density Fiberboard (MDF) are used.

Available Finish : White (W01)

Top



Front



Side

