

**Model :** E076115

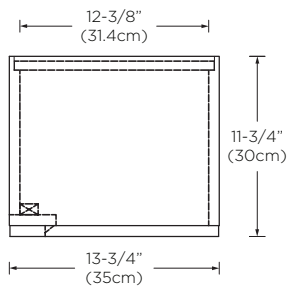
Designed By: **ALEXANDER ZHUKOVSKY** | RUSSIA

- Features :**
- 4 fixed glass shelves
  - 1 soft-close door with Hettich brand hardware
  - Door finger pull
  - Door opens left to right
  - Fully finished interiors
  - Solid wood construction (no MDF)
  - Multi-step polyurethane finish resists moisture and scratches
  - Wall hung hardware included

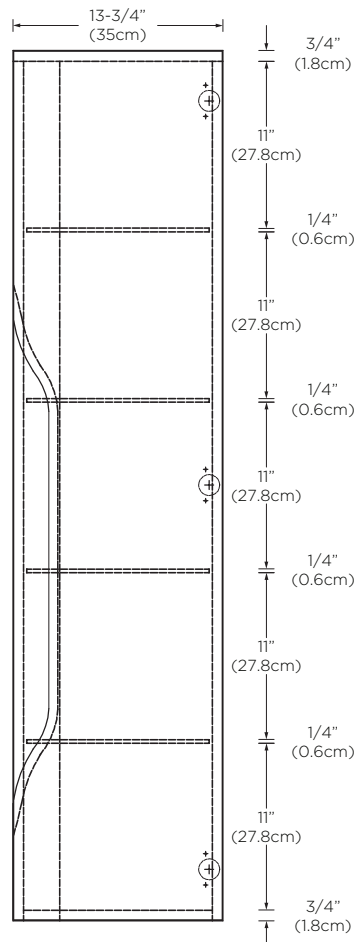
All Ronbow cabinets are made of solid hardwood or hardwood plywood and meet strict CARB II Standards. No particle board or Micro-Density Fiberboard (MDF) are used.

**Available Finish :** Glossy White (E23) with Chene (E07) accents

Top



Front



Side

