

Model : E056114

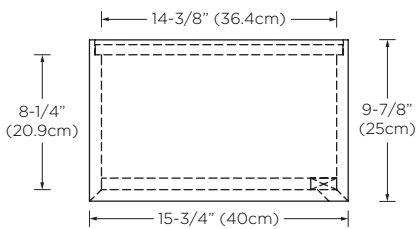
Designed By: **RAMON ESTEVE** | SPAIN

- Features :**
- Soft-close door with Grass brand hardware
 - Door finger pull
 - Door opens from right to left
 - 2 fixed wood shelves
 - Fully finished interiors
 - Solid wood construction (no MDF)
 - Multi-step polyurethane finish resists moisture and scratches
 - Wall hung hardware to anchor to wall for added stability
 - Leg levelers included

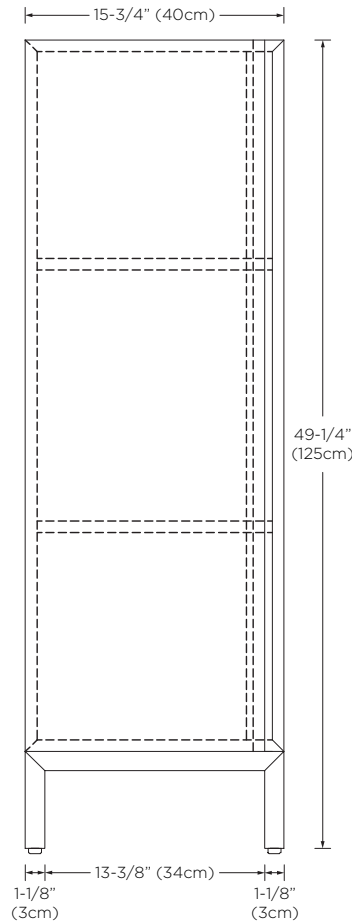
All Ronbow cabinets are made of solid hardwood or hardwood plywood and meet strict CARB II Standards. No particle board or Micro-Density Fiberboard (MDF) are used.

Available Finish : White wood (W01) and Dark Bronze metal legs

Top



Front



Side

