

Model : E056113

Designed By: RAMON ESTEVE | SPAIN

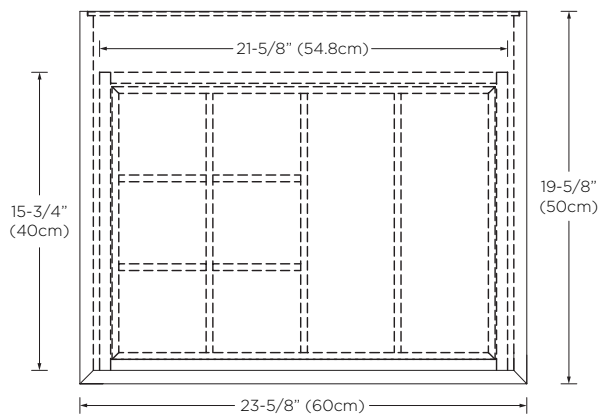
2016 INVENTORY

- Features :**
- Fits under the Marco vanity frame bases
  - Concealed locking wheels
  - 2 full-extension, soft-close drawers with Hettich brand hardware
  - Solid wood drawer organizer included for top drawer
  - Woven fiber drawer liner included
  - Drawer finger pulls
  - Fully finished interiors
  - Dovetail drawer construction
  - Solid wood construction (no MDF)
  - Multi-step polyurethane finish resists moisture and scratches

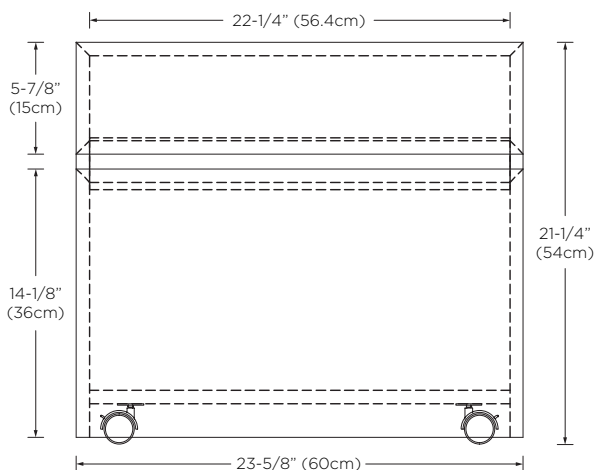
All Ronbow cabinets are made of solid hardwood or hardwood plywood and meet strict CARB II Standards. No particle board or Micro-Density Fiberboard (MDF) are used.

**Available Finish :** Oak Toscana (E82)

### Top



### Front



### Side

