

Model : E047016

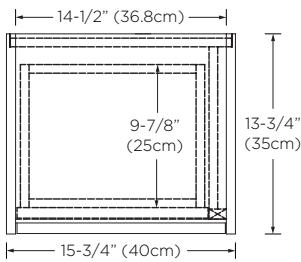
Designed By: **KURZ KURZ DESIGN | GERMANY**

- Features :**
- Natural exposed plywood edge detail
 - 1 soft-close door with Hettich brand hardware
 - 2 full-extension, soft-close hidden drawer with Hettich brand hardware
 - 1 glass shelf
 - Open bottom shelf
 - Push-open hidden drawer
 - Door finger pull
 - Door opens from left to right
 - Fully finished interiors
 - Solid wood construction (no MDF)
 - Multi-step polyurethane finish resists moisture and scratches
 - Wall hung hardware included

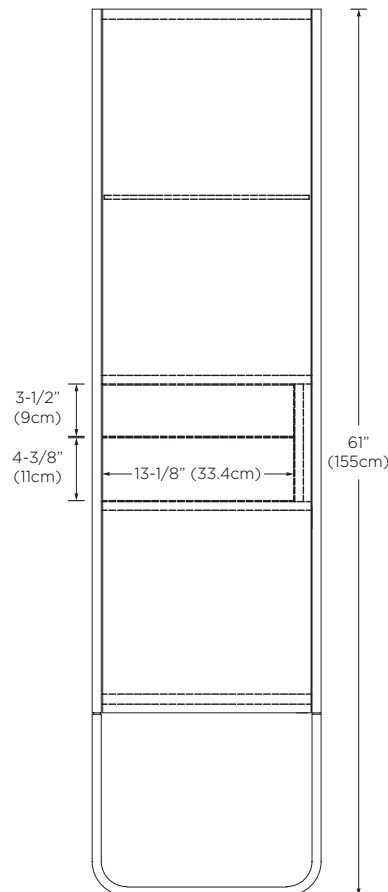
All Ronbow cabinets are made of solid hardwood or hardwood plywood and meet strict CARB II Standards. No particle board or Micro-Density Fiberboard (MDF) are used.

Available Finish : Glossy White (E23)

Top



Front



Side

