

# SIGNATURE SERIES

by RONBOW

## INSTALLATION AND CARE GUIDE

UNITY WALL CABINET

E047013

E047016

Model : **E047013**  
**E047016**

Designed By: **KURZ KURZ DESIGN** | GERMANY

## PRE-INSTALLATION

### Tools Required



### Materials Included

- 8 long screws
- 1 set of wall cleats

### Materials Required

- 2 2x4 beam cut to size

**Model :** E047013  
E047016

Designed By: **KURZ KURZ DESIGN** | GERMANY

**INSTALLATION**

**Step 1:** Determine the ideal location of your new LED mirror.

Mark the locations for the long screws to hang the wall cleat.

**NOTE:** It is highly recommended the location has at least two studs. Front notch the studs to install a 2x4 horizontal beam for added stability.

**See Figure 1.**

**Step 2:** Fasten each wall cleat to the wall using the long screws provided.

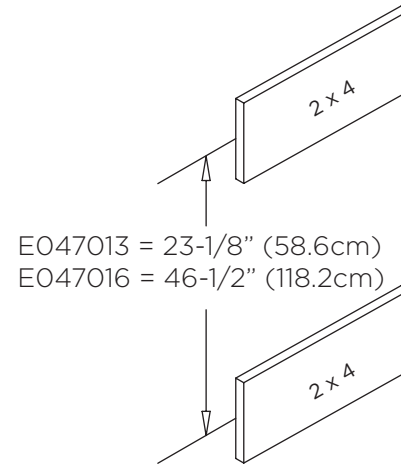
**See Figure 2.**

**Step 3:** Carefully lift and place the mirror cabinet on the wall cleat.

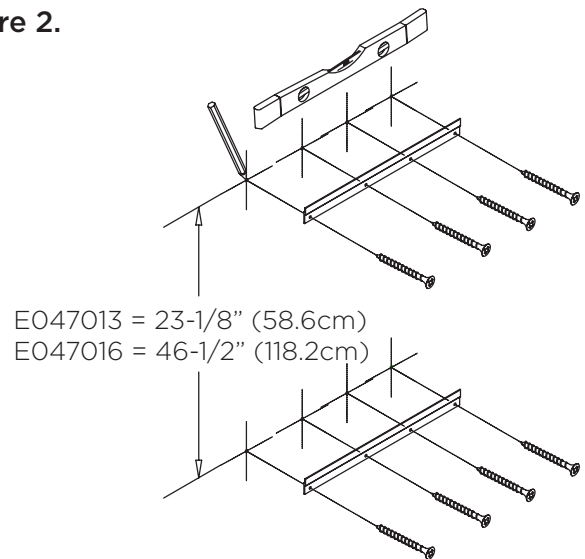
Verify the cabinet is level.

**See Figure 3.**

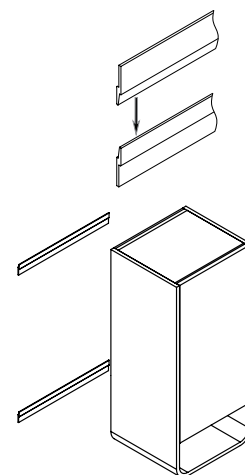
**Figure 1.**



**Figure 2.**



**Figure 3.**



**Model :** E047013  
E047016

Designed By: **KURZ KURZ DESIGN** | GERMANY

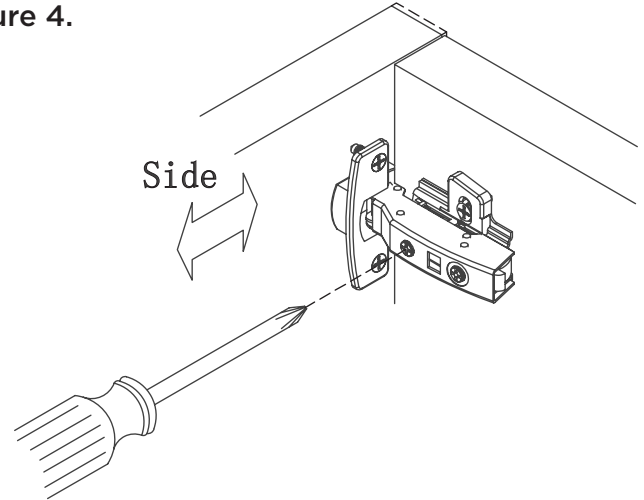
## ADJUST DOOR HINGE

### Side to Side

Locate the screw nearest the hinge cup and rotate clockwise or counter-clockwise to move the door from side to side.

See Figure 4.

Figure 4.

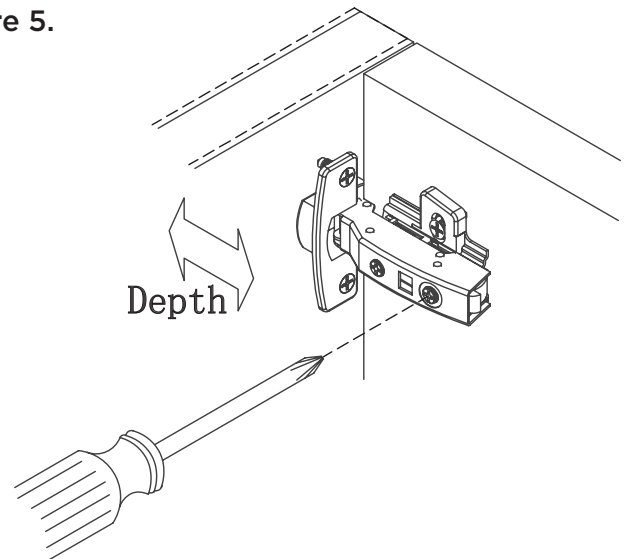


### Front to Back

Locate the screw furthest away from the hinge cup and turn the screw clockwise or counter-clockwise to move the door from front to back.

See Figure 5.

Figure 5.

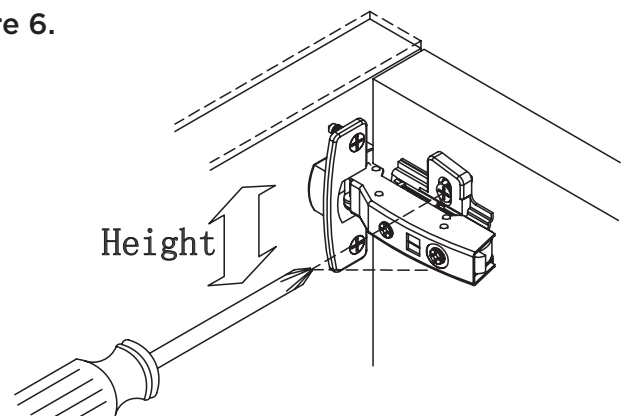


### Top to Bottom

Locate the screw pictured in Figure 6. Turn the screw clockwise or counter-clockwise to move the door from top to bottom.

See Figure 6.

Figure 6.



**NOTE:** When adjusting the door hinges keep in mind to adjust the other hinges.

**Model : E047013  
E047016**Designed By: **KURZ KURZ DESIGN** | GERMANY

## PRODUCT CARE AND MAINTENANCE

The fine furniture finish of your new vanity, mirror or other bathroom accessories are designed to protect against normal home use. With proper care, your product will provide years of use and beauty in your home.

### General Care Tips

- Test cleaning product on small, discrete area prior to applying to entire surface.
- Wipe surfaces frequently with dry, soft, non-abrasive and lint-free towel.
- Do not allow liquids and moisture to accumulate on the surface of products.
- For warranty information, please visit our website at [www.ronbow.com](http://www.ronbow.com) or contact the Customer Service Department at (510) 713-1188.

### Wood Surfaces

- If a spill occurs, clean and dry the surface immediately as liquid can soak through the surface and cause greater damage.
- Do not place in direct sunlight. Exposure to sunlight may affect the appearance of your vanity, and the finish will eventually crack.
- Keep away from direct sources of extreme temperatures as heat, cold or moisture from humidity. Color changes, or blemishes in the wood can occur if recommended care of is not met. Try to avoid these extremes.
- Most wood surfaces can be cleaned, or dusted, with any commercial wood cleaning product. For general cleaning, use a non-abrasive, or lint-free cloth while dusting along the wood grain to preserve the wood's characteristics.

### Recommended Products

- Pledge Orange Oil, or similar
- Orange-Glo Wood Cleaner

**DISCLAIMERS:** Wood naturally ages, darkens and changes color over time due to several environmental conditions that may cause materials to vary from their original color and/or to warp, split or crack. These variations are considered to be the nature of the material in relation to their environmental exposure and may be significant over a long period of time. The effectiveness of cleaning Ronbow product is dependant on various factors that include sunlight, smoke, moisture, household cleaners and/or amount of cleaning product used over time. Ronbow cannot guarantee that the above Product Care & Maintenance methods will effectively clean your product.

Model : **E047013**  
**E047016**

Designed By: **KURZ KURZ DESIGN** | GERMANY

## Glass Surfaces

- Clean up any spills or liquids immediately. Never allow liquids of any kind to remain on surface as it may form buildup and deposits.
- DO NOT use abrasive brushes, sponges or cleaners as they may scratch and damage the surface.
- Do not use oil or any oil-based cleaners on the glass as this may remove the frosted finish.

**DISCLAIMERS:** Clear glass will tend to have a greenish tint. This is a natural feature and not a defect. Effectiveness of cleaning your Ronbow products is dependent on various factors that include: water temperature, concentration and/or amounts of cleansers. Because of these many different conditions, Ronbow cannot guarantee that the above Product Care & Maintenance methods will effectively clean your product.

# RONBOW

40650 Encyclopedia Circle  
Fremont, CA 94538

T 510.713.1188  
F 510.657.9388

[ronbow.eu](http://ronbow.eu) | [ronbow.com](http://ronbow.com)