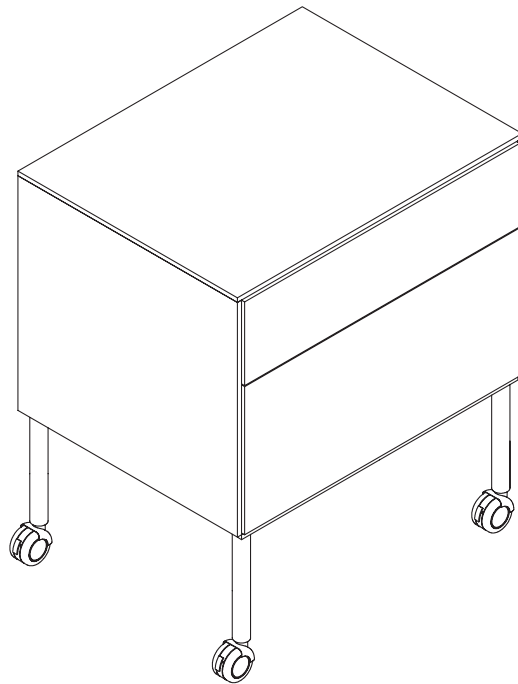


ROBOW SIGNATURE™



INSTALLATION AND CARE GUIDE

NOCE WHEEL CABINET
E036122

PRE-INSTALLATION

Tools Required



MATERIALS INCLUDED

(4) locking Italian Rotala wheels

INSTALLATION

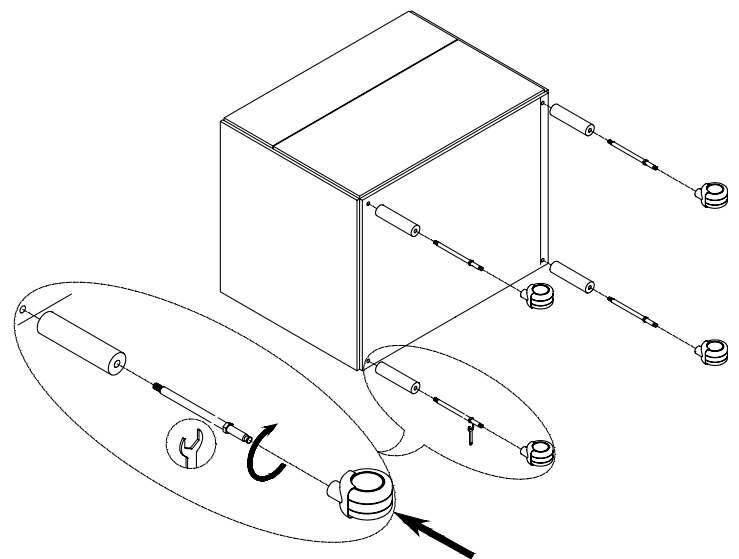
Step 1: Carefully lay down the cabinet on its back.

Figure 1.

Step 2: Install each leg according to the diagram on the right.

See Figure 1.

Step 3: Repeat steps 1 - 2 for each leg.



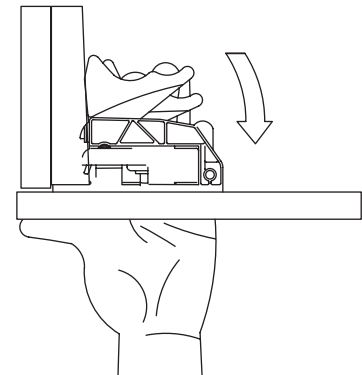
Remove and Reinstall Drawer

Remove

Step 1: Pull the release latches located underneath the drawer.

See **Figure 6.**

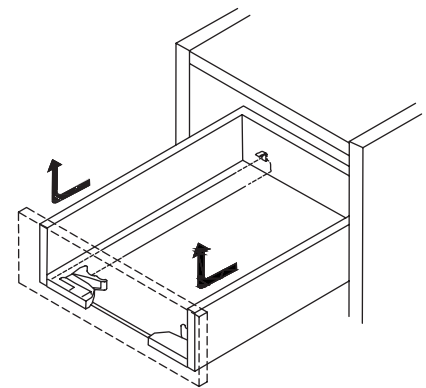
Figure 6.



Step 2: Slide and lift up the drawer box.

See **Figure 7.**

Figure 7.

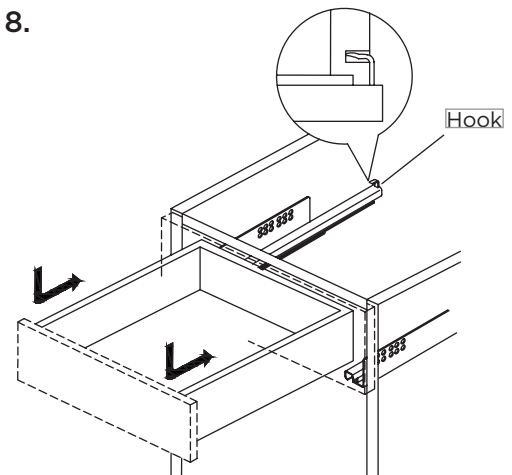


Reinstall

Step 1: Slide drawer box in until secured by rail hook.

See **Figure 8.**

Figure 8.



<https://youtu.be/4DdK3cj3sTU>

PRODUCT CARE AND MAINTENANCE

The fine furniture finish of your new vanity, mirror or other bathroom accessories are designed to protect against normal home use. With proper care, your product will provide years of use and beauty in your home.

General Care Tips

- Test cleaning product on small, discrete area prior to applying to entire surface.
- Wipe surfaces frequently with dry, soft, non-abrasive and lint-free towel.
- Do not allow liquids and moisture to accumulate on the surface of products.
- For warranty information, please visit our website at www.ronbow.com or contact the Customer Service Department at (510) 713-1188.

Wood Surfaces

- If a spill occurs, clean and dry the surface immediately as liquid can soak through the surface and cause greater damage.
- Do not place in direct sunlight. Exposure to sunlight may affect the appearance of your vanity, and the finish will eventually crack.
- Keep away from direct sources of extreme temperatures as heat, cold or moisture from humidity. Color changes, or blemishes in the wood can occur if recommended care of is not met. Try to avoid these extremes.
- Most wood surfaces can be cleaned, or dusted, with any commercial wood cleaning product. For general cleaning, use a non-abrasive, or lint-free cloth while dusting along the wood grain to preserve the wood's characteristics.

DISCLAIMERS: Wood naturally ages, darkens and changes color over time due to several environmental conditions that may cause materials to vary from their original color and/or to warp, split or crack. These variations are considered to be the nature of the material in relation to their environmental exposure and may be significant over a long period of time. The effectiveness of cleaning Ronbow product is dependant on various factors that include sunlight, smoke, moisture, household cleaners and/or amount of cleaning product used over time. Ronbow cannot guarantee that the above Product Care & Maintenance methods will effectively clean your product.

RONBOW

40650 Encyclopedia Circle
Fremont, CA 94538

T 510.713.1188
F 510.657.9388

ronbow.eu | ronbow.com