

# SIGNATURE SERIES

by RONBOW

## INSTALLATION AND CARE GUIDE

71" TALL WIDE SIDE CABINET

E016127

Model : E016127

Designed By: PHOENIX DESIGN | GERMANY

## PRE-INSTALLATION

### Tools Required



### Materials Included

- 4 drywall screws
- 4 wood screws
- 1 pair of anti-tip hardware

**NOTE:** For safety reasons it is highly recommended, but not required to install the anti-tip hardware.

Model : E016127

Designed By: PHOENIX DESIGN | GERMANY

**INSTALLING ANTI-TIPPING HARDWARE**

**Step 1:** Determine the ideal location of your new side cabinet.

**Step 2:** Measure the distance of X and Y, then mark in the boxes in figure 1.

**Step 3:** Use the same distances of X and Y and measure them to the wall in preparation to install the anti-tip hardware.

**See Figure 1.**

**Step 4:** Drill pilot holes where the anti-tipping hardware will be installed.

**Step 5:** Place one end of the anti-tip hardware on the wall and fasten to the wall.

**Step 6:** Place the matching ends on the back of the cabinet and fasten using the wood screws.

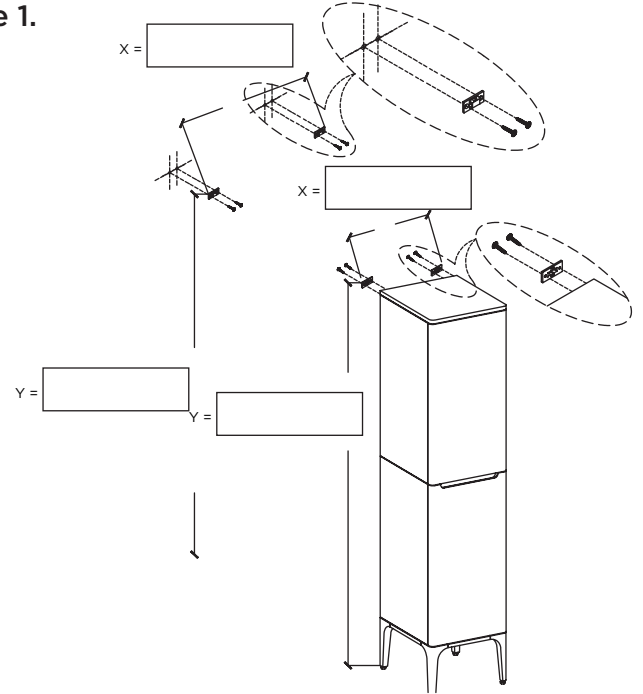
**Step 7:** Zip tie the anti-tip hardware together.

**Figure 2.**

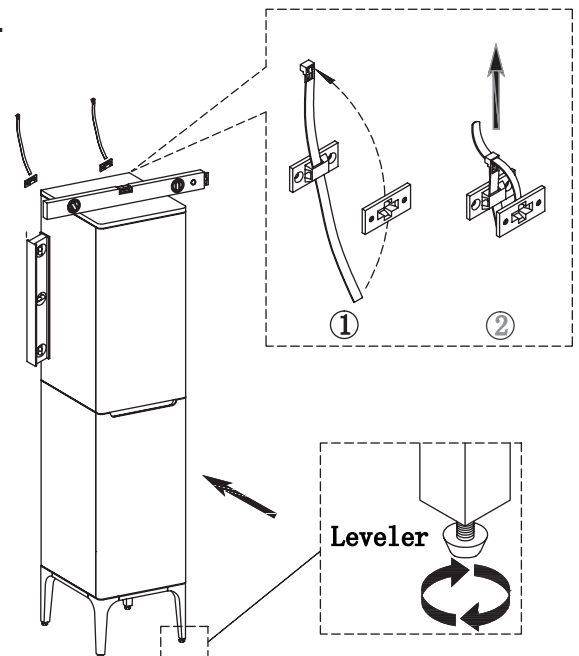
**Step 8:** Adjust the leg levelers as needed.

**Figure 2.**

**Figure 1.**



**Figure 2.**



Model : E016127

Designed By: PHOENIX DESIGN | GERMANY

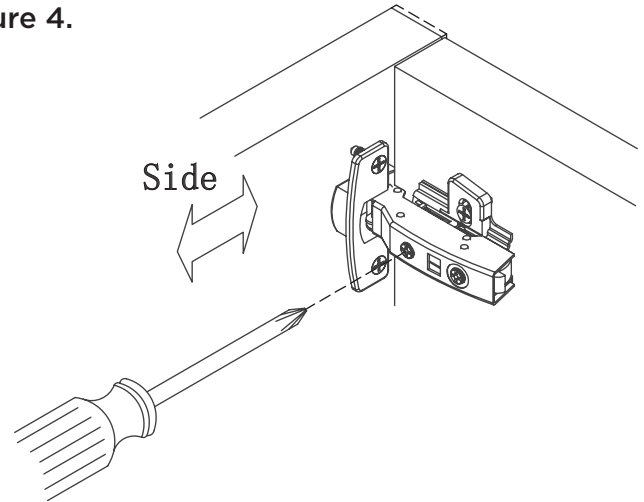
## ADJUST DOOR HINGE

### Side to Side

Locate the screw nearest the hinge cup and rotate clockwise or counter-clockwise to move the door from side to side.

See Figure 4.

Figure 4.

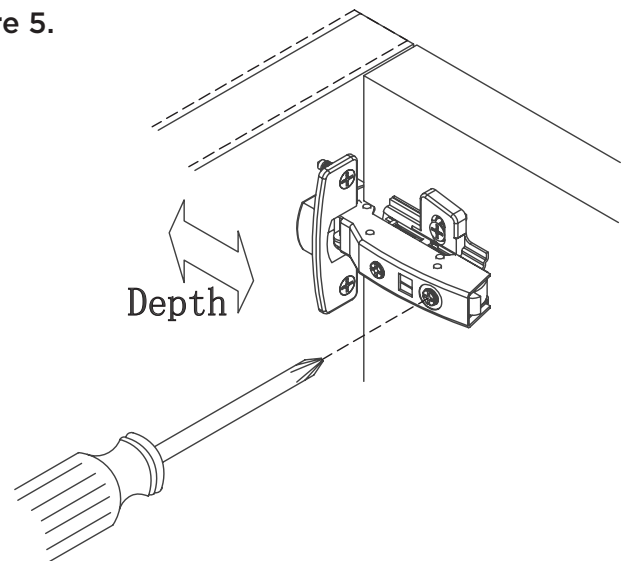


### Front to Back

Locate the screw furthest away from the hinge cup and turn the screw clockwise or counter-clockwise to move the door from front to back.

See Figure 5.

Figure 5.

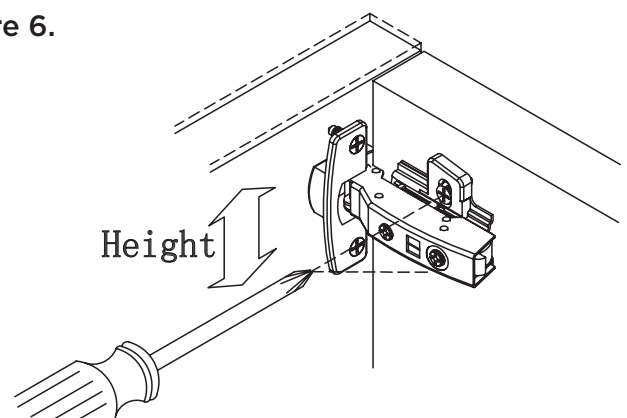


### Top to Bottom

Locate the screw pictured in Figure 6. Turn the screw clockwise or counter-clockwise to move the door from top to bottom.

See Figure 6.

Figure 6.



**NOTE:** When adjusting the door hinges keep in mind to adjust the other hinges.

**Model : E016127**Designed By: **PHOENIX DESIGN | GERMANY**

## PRODUCT CARE AND MAINTENANCE

The fine furniture finish of your new vanity, mirror or other bathroom accessories are designed to protect against normal home use. With proper care, your product will provide years of use and beauty in your home.

### General Care Tips

- Test cleaning product on small, discrete area prior to applying to entire surface.
- Wipe surfaces frequently with dry, soft, non-abrasive and lint-free towel.
- Do not allow liquids and moisture to accumulate on the surface of products.
- For warranty information, please visit our website at [www.ronbow.com](http://www.ronbow.com) or contact the Customer Service Department at (510) 713-1188.

### Wood Surfaces

- If a spill occurs, clean and dry the surface immediately as liquid can soak through the surface and cause greater damage.
- Do not place in direct sunlight. Exposure to sunlight may affect the appearance of your vanity, and the finish will eventually crack.
- Keep away from direct sources of extreme temperatures as heat, cold or moisture from humidity. Color changes, or blemishes in the wood can occur if recommended care of is not met. Try to avoid these extremes.
- Most wood surfaces can be cleaned, or dusted, with any commercial wood cleaning product. For general cleaning, use a non-abrasive, or lint-free cloth while dusting along the wood grain to preserve the wood's characteristics.

### Recommended Products

- Pledge Orange Oil, or similar
- Orange-Glo Wood Cleaner

**DISCLAIMERS:** Wood naturally ages, darkens and changes color over time due to several environmental conditions that may cause materials to vary from their original color and/or to warp, split or crack. These variations are considered to be the nature of the material in relation to their environmental exposure and may be significant over a long period of time. The effectiveness of cleaning Ronbow product is dependant on various factors that include sunlight, smoke, moisture, household cleaners and/or amount of cleaning product used over time. Ronbow cannot guarantee that the above Product Care & Maintenance methods will effectively clean your product.

# RONBOW

40650 Encyclopedia Circle  
Fremont, CA 94538

T 510.713.1188  
F 510.657.9388

[ronbow.eu](http://ronbow.eu) | [ronbow.com](http://ronbow.com)