

MODEL: 632012-8 632115 632612 635112  
 632012-18 632213 633012  
 632112 632312 633112  
 632112-15 632512 634012

VENUS CABINET

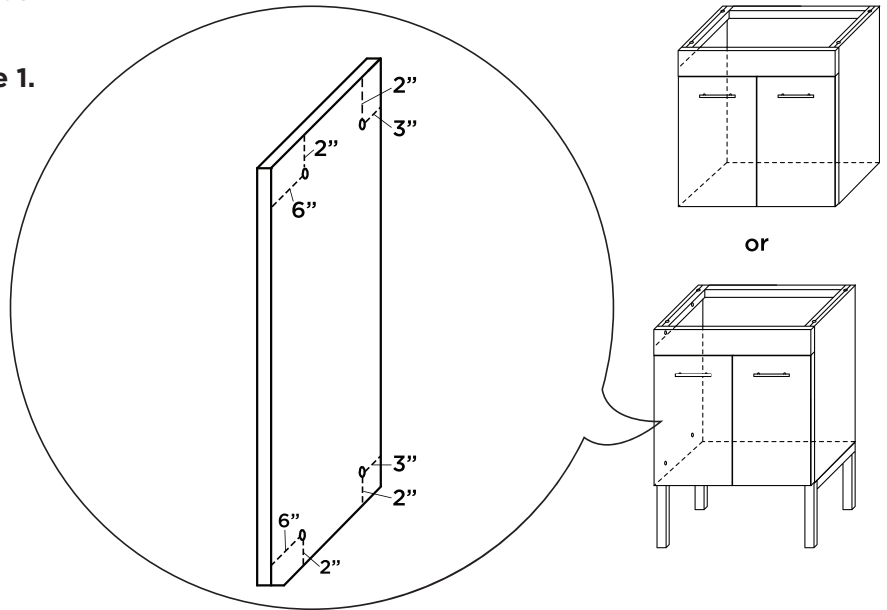
**NOTE:** For installing drawer bridge.  
 Can be installed on middle, left or right side.

**STEP 1:** Mark 4 spots for pilot holes inside Venus cabinet.

See Figure 1.

**NOTE:** Make sure to align drawer bridge to cabinet and measurements are correct before drilling.

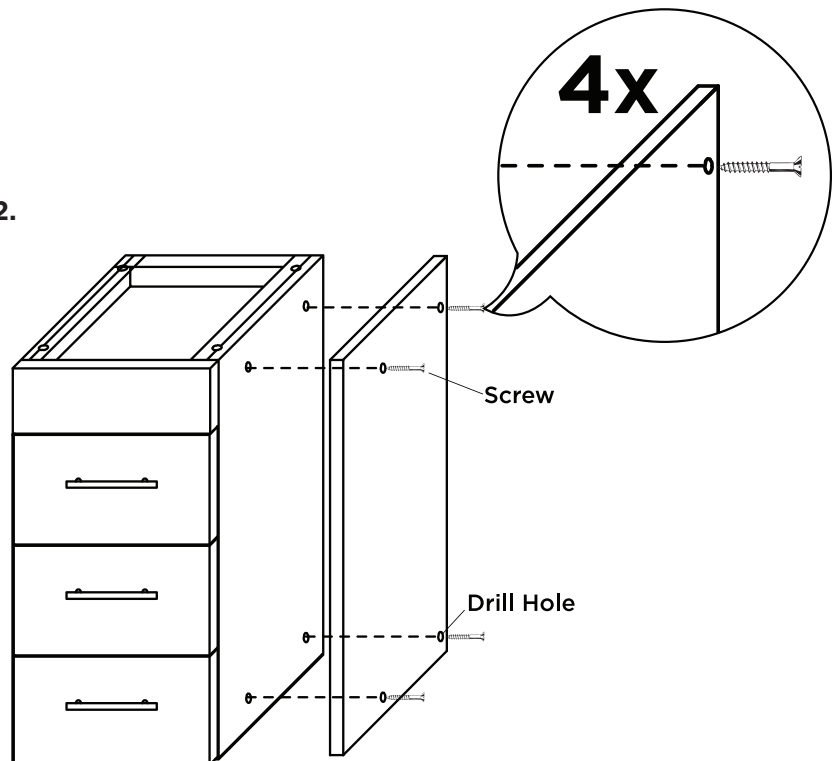
**Figure 1.**



**STEP 2:** Attach drawer bridge to cabinet and secure screws.

See Figure 2.

**Figure 2.**



**MATERIALS NEEDED:**

- (4) GALVANIZED SCREWS - 1 1/4"
- DRILL
- PHILIP SCREWDRIVER