

Model : E095614

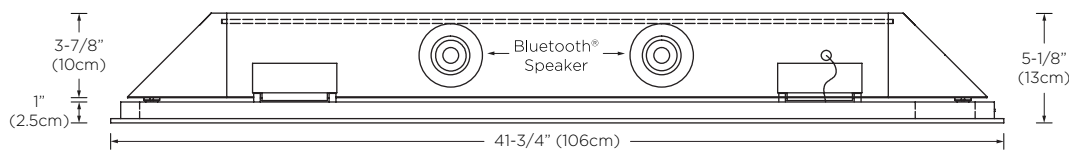
Designed By: **PININFARINA** | ITALY

- Features :**
- Bluetooth® technology with integrated speakers on mirror cabinet top
 - Bluetooth® button on bottom left of mirror cabinet
 - Digital clock display
 - LED light on top center front
 - Motion-activated LED light sensor at bottom right of mirror cabinet
 - Accent mood lighting on left, right and bottom
 - Lift-up, soft-close door with Hettich brand hardware
 - 1 fixed glass shelf
 - Satin Aluminum (SA) finish
 - Surface mount installation

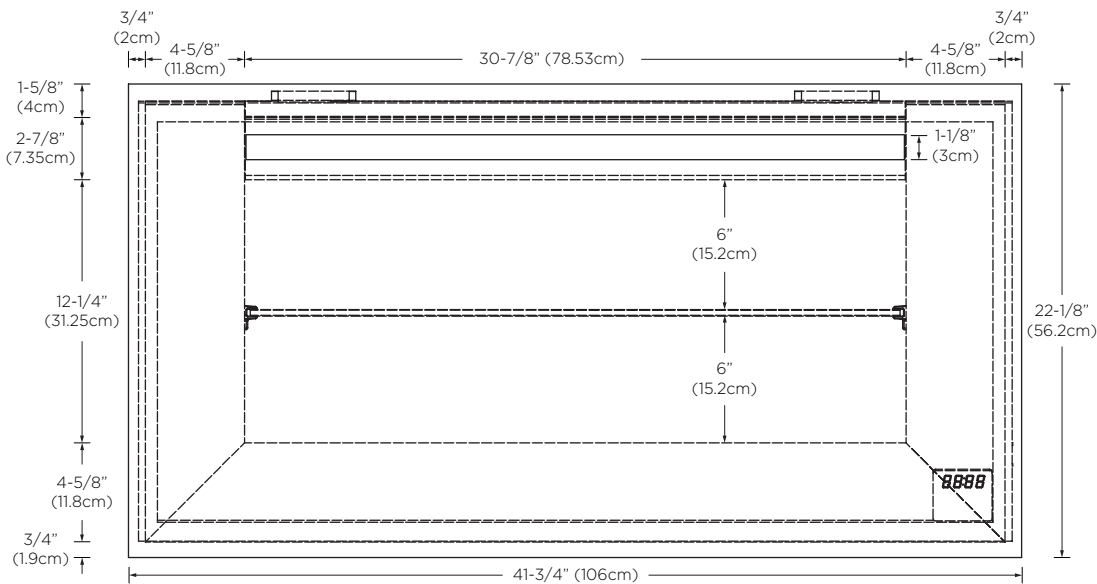
All Ronbow cabinets are made of solid hardwood or hardwood plywood and meet strict CARB II Standards. No particle board or Micro-Density Fiberboard (MDF) are used.

Available Finish : Satin Aluminum (SA)

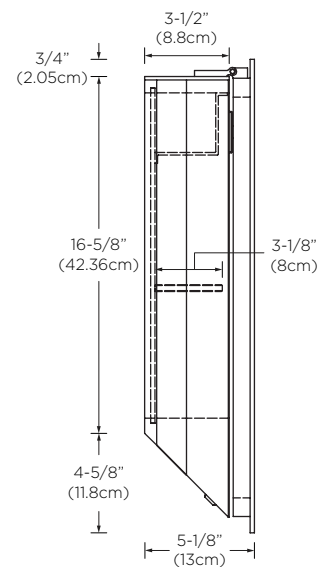
Top



Front



Side



Bottom

