

Model : E075614

Designed By: **ALEXANDER ZHUKOVSKY** | RUSSIA

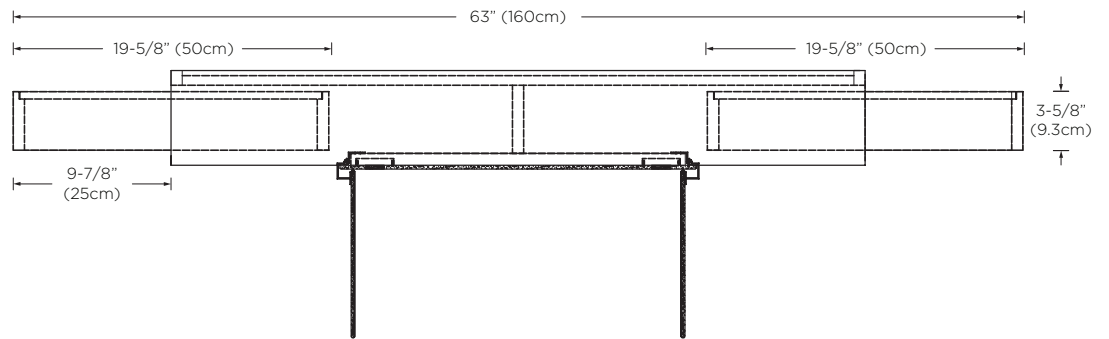
- Features :**
- 2 slide-out storage cabinets with metal rails
 - Side doors are mirrored on both sides
 - Touch-activated LED light illuminates from front of mirror, switch located at the bottom center of cabinet
 - 1 fixed glass shelf on each side
 - Fully finished interiors
 - Solid wood construction (no MDF)
 - Multi-step polyurethane finish resists moisture and scratches
 - Surface mount installation

All Ronbow cabinets are made of solid hardwood or hardwood plywood and meet strict CARB II Standards. No particle board or Micro-Density Fiberboard (MDF) are used.

Available Finish : Glossy White (E23) with Chene (E07) slide-out door frames

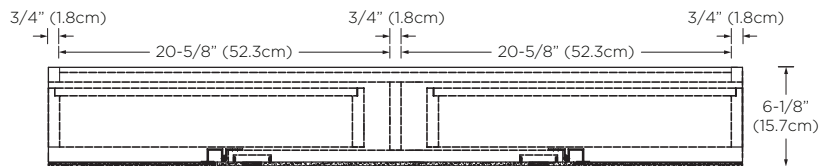
Top

Fully expended

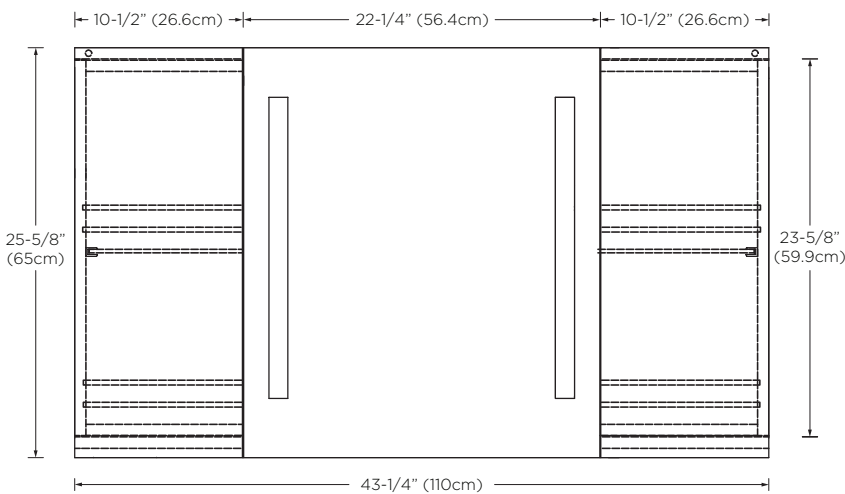


Top

Closed



Front



Side

