

Avanity

THOMPSON-V30-CL
THOMPSON-V30-FW

Features

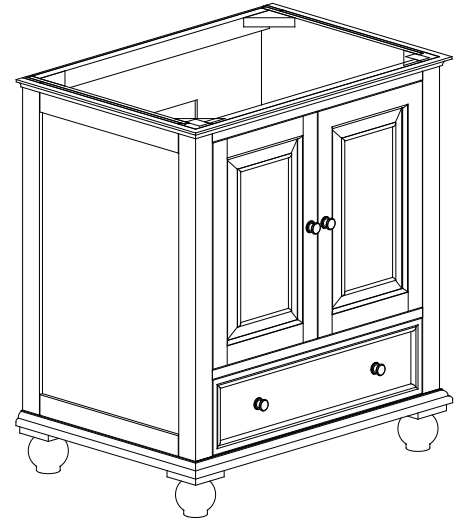
- Solid poplar frame, plywood drawer and MDF
- 2 soft-close doors
- 1 soft-close drawer
- Black bronze finish hardware
- Adjustable height levelers

Colors / Finishes

- Charcoal Glaze
- French White

Nominal Dimension

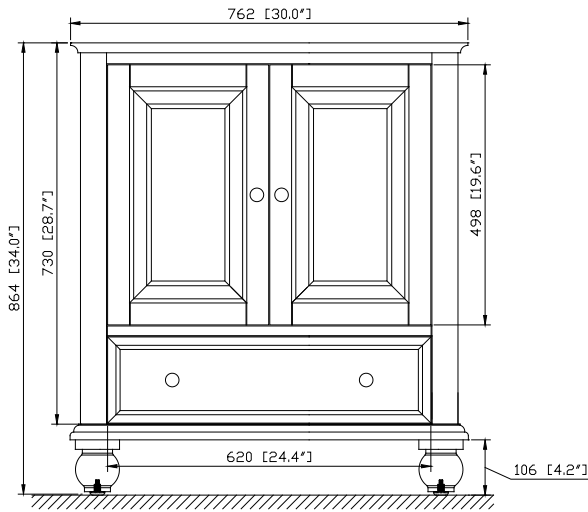
- 30W x 21D x 34H (inches)



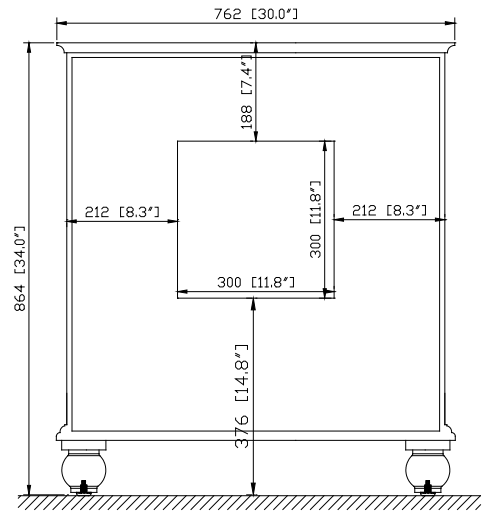
Related Items

| | | | |
|-------------|------------------|------------------|-----------|
| Mirror | THOMPSON-M24-CL | THOMPSON-M24-FW | |
| | THOMPSON-M28-CL | THOMPSON-M28-FW | |
| Vanity Top | SUT31BK | SUT31GB | SUT31CW |
| | SUT31BK-R | SUT31GB-R | SUT31CW-R |
| Sink | CUM18WT | CUM18LN | CUM20WT-R |
| Linen Tower | THOMPSON-LT24-CL | THOMPSON-LT24-FW | |

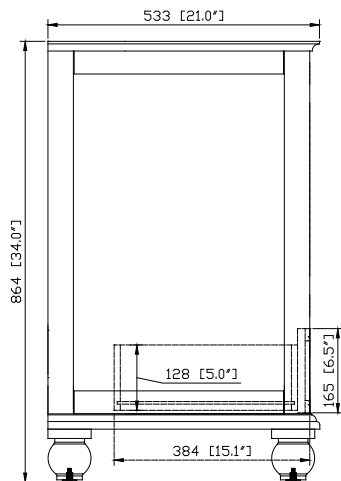
Product Diagrams



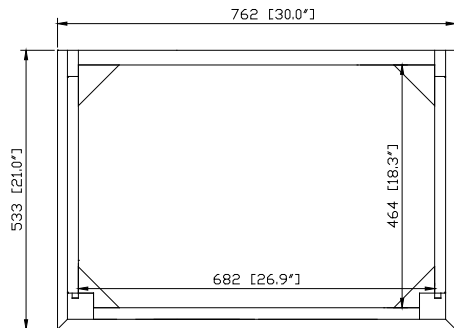
Front



Back



Side



Top



SUT31BK / SUT31CW / SUT31GB

Features

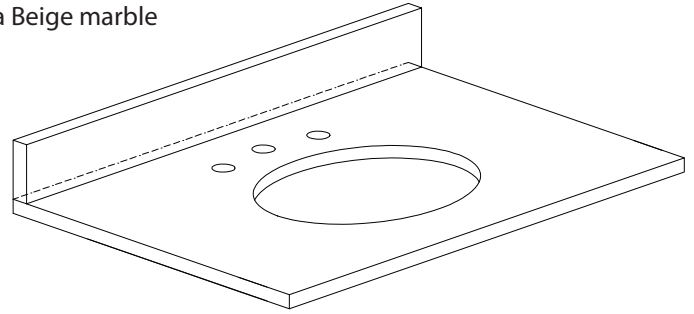
- Top cutout for single undermount sink
- Top pre-drilled for 8" widespread faucet
- 4" backsplash included

Colors / Finishes

- BK - Natural Black Granite
- CW - Natural Carrera White marble
- GB - Natural Galala Beige marble

Nominal Dimension

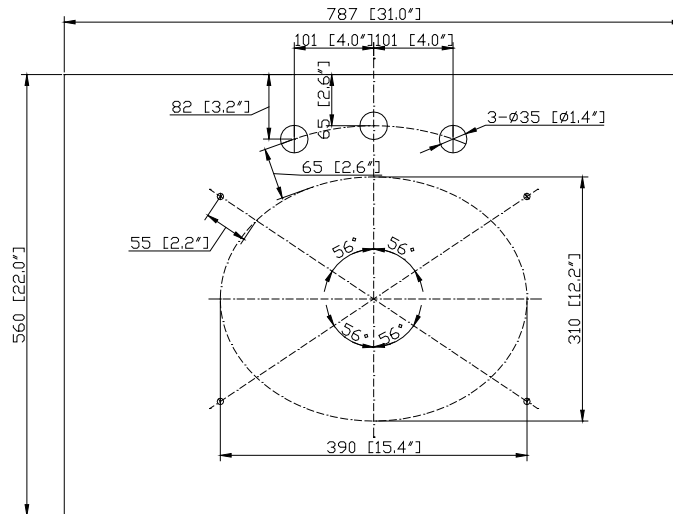
- 31W x 22D x 1H inches
- 787 x 560 x 25 mm



Related Items

| | | | | |
|--------|------------|---------------|--------------|--------------|
| Sink | CUM18WT | CUM18LN | | |
| Vanity | BROOKS-V30 | BRENTWOOD-V31 | DELANO-V30 | |
| | KELLY-V30 | LOFT-V30 | MODERO-V30 | MILANO-V30 |
| | MILANO-V30 | TROPICA-V30 | THOMPSON-V30 | WESTWOOD-V30 |

Product Diagrams



Top



Side



CUM18LN / CUM18WT

Features

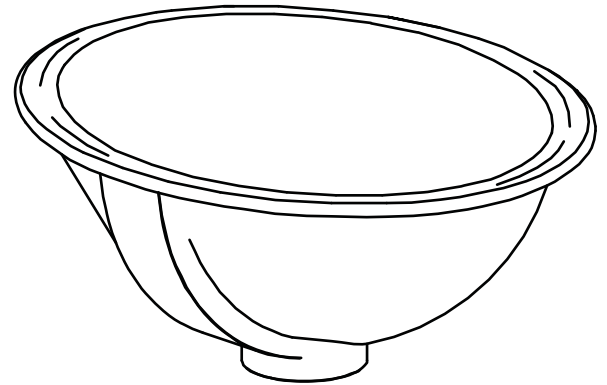
- Vitreous China
- Undermount application
- 1.8 in. drain opening
- Overflow outlet

Colors / Finishes

- LN - Linen
- WT - White

Nominal Dimension

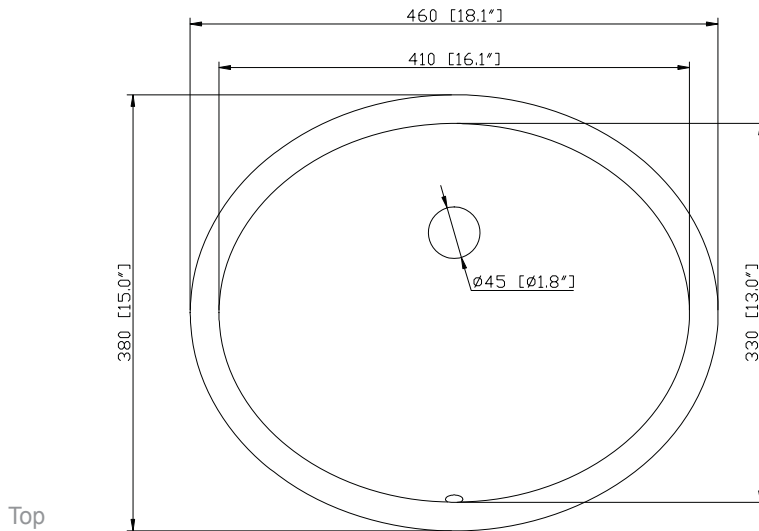
- 18.1W x 15D x 7.9H inches
- 458 x 380 x 200 mm



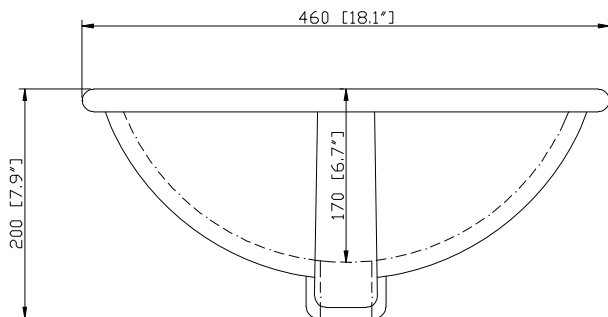
Components

| Drain | VC-DRAIN-CP | VC-DRAIN-BN | | | | | |
|------------|-------------|-------------|---------|---------|---------|---------|---------|
| Vanity Top | SUT25BK | SUT25CW | SUT25GB | SUT31BK | SUT31CW | SUT31GB | SUT37BK |
| | SUT37GB | SUT37CW | SUT49CW | SUT49GB | SUT49BK | SUT61BK | SUT61CW |
| | SUT61GB | SUT73BK | SUT73CW | SUT73GB | | | |

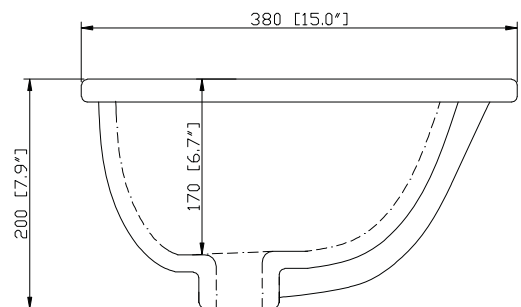
Product Diagrams



Top



Front



Side