

# Zion 60

Product code : **ZI60**

Draft revision : **20171018153000**

External dimensions : **60" x 32" x 18,5" [152,4 cm x 81,3 cm x 47,0 cm]**

Series : **deck mount**

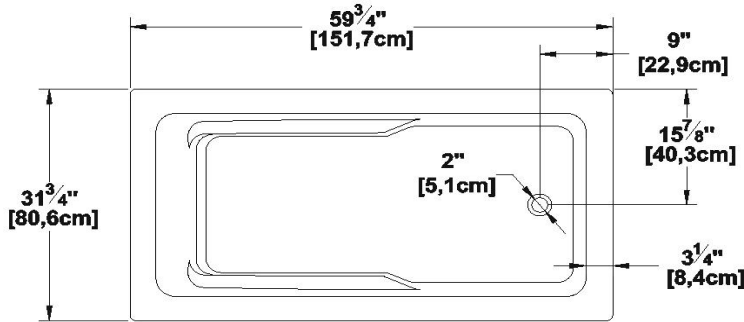
Seats : **1**

Lowbar support : **yes**

Arm rests : **yes**

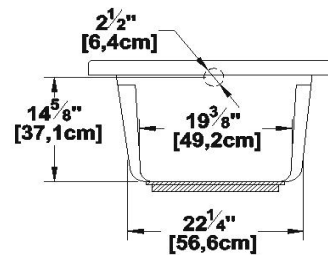
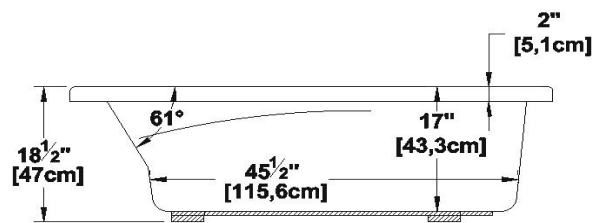
Low-profile available : **yes**

## Draft and specs

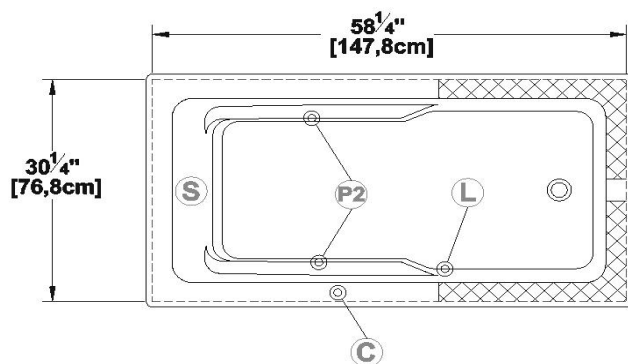


Specifications	
Capacity :	40 IMP Gal. / 52,2 US Gal. / 181,8 liters
AeroMassage™ :	40 Easy Clean™ air jets
Super AeroMassage™ :	AeroMassage™ + 12 Easy Clean™ air jets
Dynamic Turbo™ :	unavailable
Comfort Air™ :	40 Easy Clean™ air jets
Characteristics :	Textured floor

Remarks	
*all measures have a precision of ± 1/4" (0,63cm)	
*internal dimensions taken at 4" (10cm) from bath bottom	
*capacity is measured by filling the soaker to 1-1/2" under the overflow	



## Options and installation



Legend			
(S)	Blower	(L)	Chromotherapy light
(P1)	Pump	(P2)	Grab bar
(C)	Keypad		
Recommended faucets drilling location*			
Deck cut-out line - - - - -			

Available models	
Model	Availability
Soaker alone	✓
Comfort Air™	✓
AeroMassage™	✓
Super AeroMassage™	✓
Dynamic Turbo™ (not available in the U.S.)	
Dynamic Turbo™ + AeroMassage™	
Dynamic Turbo™ + Super AeroMassage™	

Additional(s) note(s) :

**Keypad supplied but not installed when ordered with tile flanges or remote control.**

Available recommended options	
Front skirt :	
Recommended drain : WOCO14 (chrome finish)	
Tile flanges : available	
Floating remote control : available	
Integrated linear overflow : OCE114 (chrome finish)	

\*It is possible to install the faucets elsewhere on the product. The installer must verify that there are no piping or wires before drilling.

**IMPORTANT NOTE :** Specifications, dimensions and models are subject to change.

Visit our website <http://www.oceania-attitude.com> to access up-to-date dimensions and informations. In all cases, information on the website is the most up-to-date.

Dimensions may vary slightly. To ensure proper fit, measurements must be taken on the product directly.

### Head office

591, avenue des Entreprises  
Thetford Mines, Quebec  
CANADA G6H 4B2

### Phone numbers

No-charge : 1-877-332-4224  
Fax : 1-866-460-4334

### Internet

Web : <http://www.oceania-attitude.com>  
Email : [info@oceaniabaths.com](mailto:info@oceaniabaths.com)