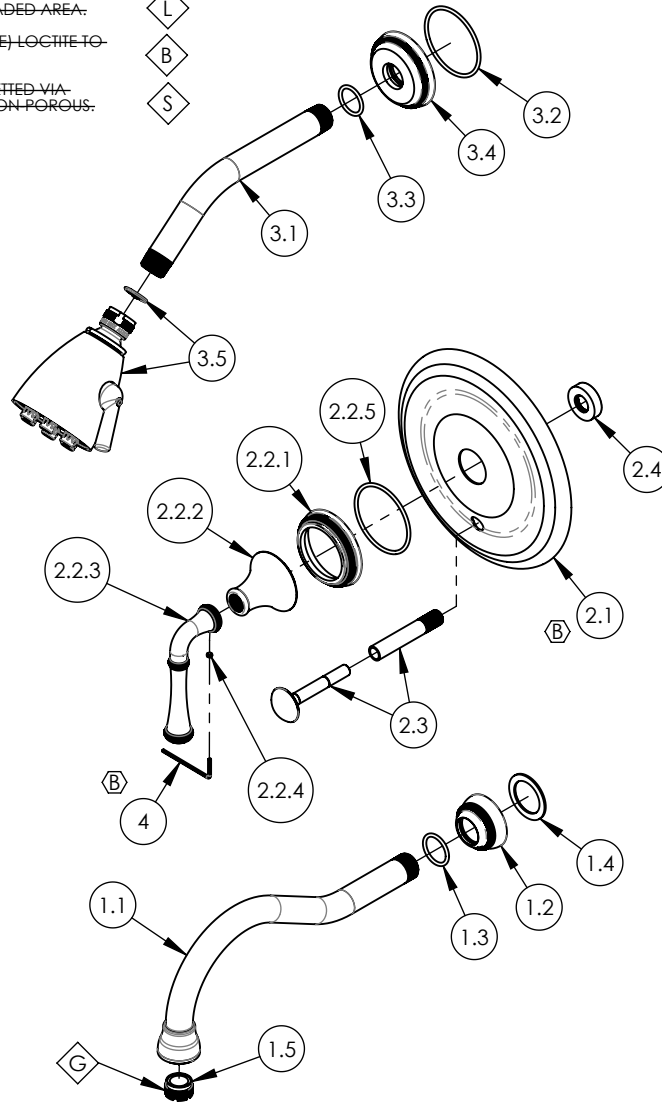


- NOTE(S):
- PART NUMBER, "/00" DENOTES PART SHALL HAVE FINISH.
 - APPLY NSF COMPLIANT GREASE TO ANY O-RING, SEALING JOINTS, AND/OR PIVOTAL POINTS.
 - APPLY NSF COMPLIANT LOCTITE TO THREADED AREA.
 - APPLY NSF COMPLIANT REMOVABLE (BLUE) LOCTITE TO THREADED AREA.
 - SILVER SOLDER JOINTS SHALL BE FULLY WETTED VIA CAPILLARY ACTION AND COMPLETELY NON-POROUS.



ITEM NO.	PART NUMBER	DESCRIPTION	QTY.
1	3-319/00	WALL TUB SPOUT, COINED SERIES	1
1.1	2-107/00	WALL LAV SPOUT, W/ AERATOR HOUSING, M21.5X1.0	1
1.2	11116/00	TUBULAR WALL SPOUT FLANGE, COINED SERIES	1
1.3	90118	O-RING, 7/8"ID X 1-1/16"OD X 3/32"THK, AS-568-118	1
1.4	P35017	WASHER FOR WALL FLANGE, 3RING 205	1
1.5	P05024	AERATOR CACHE COIN SLOT, M21.5X1.0 FULL FLOW	1
2	4-134/00	PRESSURE BALNACE SHOWER PLATE W/ DIVERTER & HANDLE TRIM SET	1
2.1	P17011/00	TRIM PLATE, PRESSURE BALANCE, SMOOTH, DOUBLE HOLE	1
2.2	3-317/00	LEVER HANDLE, COINED SERIES	1
2.2.1	10978/00	ESCUTCHEON HANDLE BASE COINED, 3RING, COINED SERIES	1
2.2.2	10972/00	HUB, TRANSITIONAL 3RING	1
2.2.3	10977/00	HANDLE, STRAIGHT LEVER COINED, 3RING	1
2.2.4	92163	SET SCREW, CONE PT 8-32 X 1/8"L	1
2.2.5	90138	O-RING, 2 1/8"ID X 3/32"THK., AS-568-138	1
2.3	3-125/00	DIVERTER EXTENSION ASSY FOR PB TUB & SHOWER SET	1
2.4	11087	SLEEVE FOR PB-THERM PLATE	1
3	4-137/00	SMOOTH SHOWER HEAD W/8" ARM, COINED FLANGE, COINED SERIES	1
3.1	P16008/00	SHOWER ARM (8 INCH)	1
3.2	90138	O-RING, 2 1/8"ID X 3/32"THK., AS-568-138	1
3.3	90117	O-RING, 7/8"ID X 33/32"THK., AS-568-117	1
3.4	11121/00	SHOWER FLANGE, COINED SERIES	1
3.5	3-018/00	SHOWERHEAD SIX JET	1
4	92021	HEX KEY 5/64, FOR 8-32 SET SCREW	1

ZONE	REV.	DESCRIPTION	DATE	APPROVED
C4, C3	B	UPDATE TRIM PLATE & HEX KEY	4/23/2021	AMM
REVISIONS				

1261 LOGAN AVENUE
COSTA MESA, CALIFORNIA 92626
PHONE: 714.361.4800
FAX: 714.617.3120

PHYLIRICH[®]
Defining Luxury Since 1959

PROPRIETARY AND CONFIDENTIAL
THE INFORMATION CONTAINED IN THIS DRAWING IS THE SOLE PROPERTY OF PHYLIRICH. ANY REPRODUCTION IN PART OR AS A WHOLE WITHOUT THE WRITTEN PERMISSION OF PHYLIRICH IS PROHIBITED.
DO NOT SCALE DRAWING

PB TUB & SHOWER W/ DIVERTER SET TRIM,
LEVER HANDLE, COINED SERIES

SIZE A	ASM/PRT NO. 208-26/00	REV B
SCALE: 1:5.75	WEIGHT: lbs.	SHEET 1 OF 2

5

4

3

2

1

E

E

D

D

C

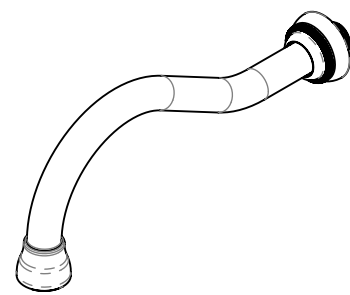
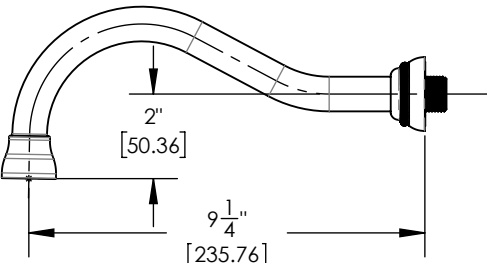
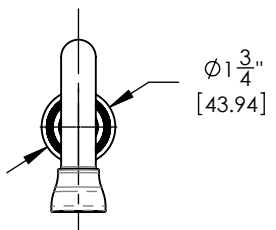
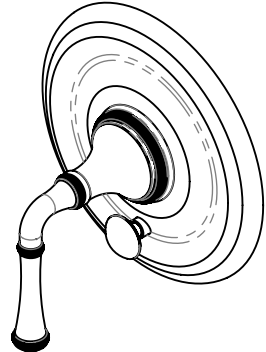
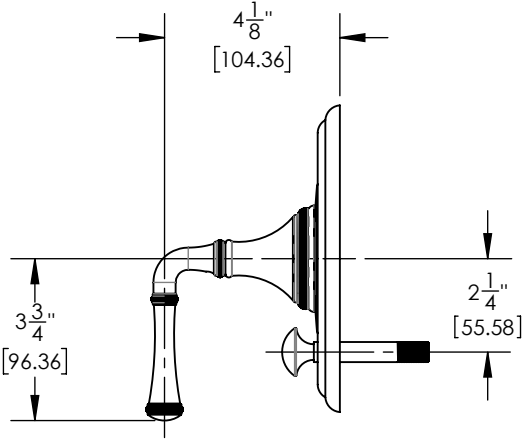
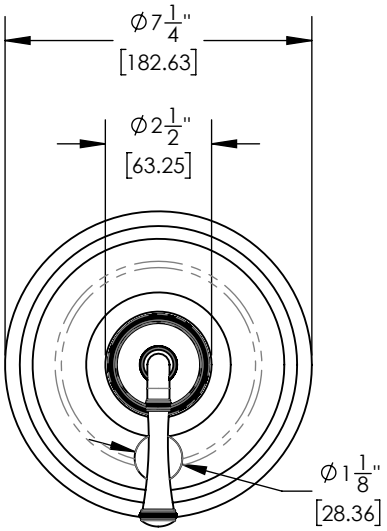
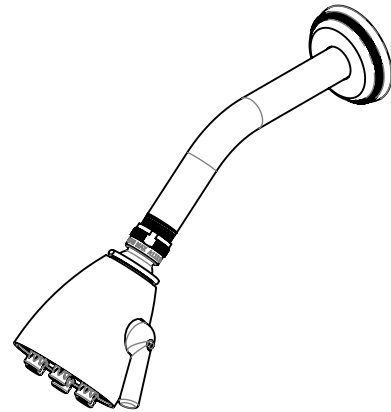
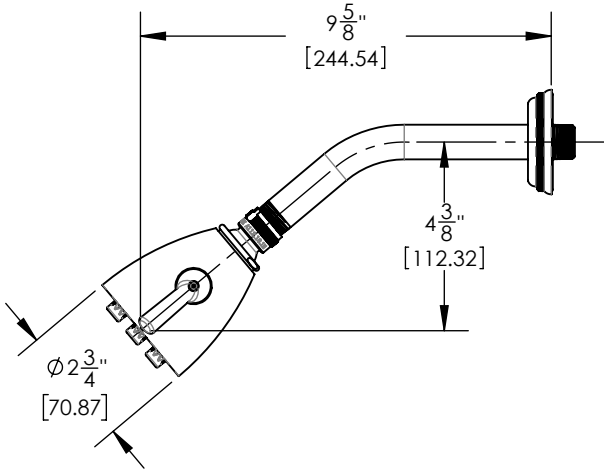
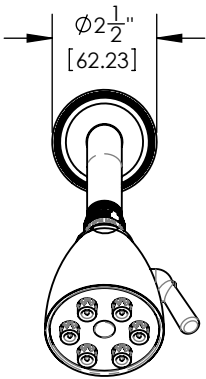
C

B

B

A

A



1261 LOGAN AVENUE
COSTA MESA, CALIFORNIA 92626
PHONE: 714.361.4800
FAX: 714.617.3120

PHYLIRICH[®]
Defining Luxury Since 1959

PROPRIETARY AND CONFIDENTIAL
THE INFORMATION CONTAINED IN THIS DRAWING IS THE SOLE PROPERTY OF PHYLIRICH. ANY REPRODUCTION IN PART OR AS A WHOLE WITHOUT THE WRITTEN PERMISSION OF PHYLIRICH IS PROHIBITED.
DO NOT SCALE DRAWING

PB TUB & SHOWER W/ DIVERTER SET TRIM, LEVER HANDLE, COINED SERIES

SIZE A	ASM/PRT NO. 208-26/00	REV B
SCALE: 1:4.5	WEIGHT: lbs.	SHEET 2 OF 2

5

4

3

2

1