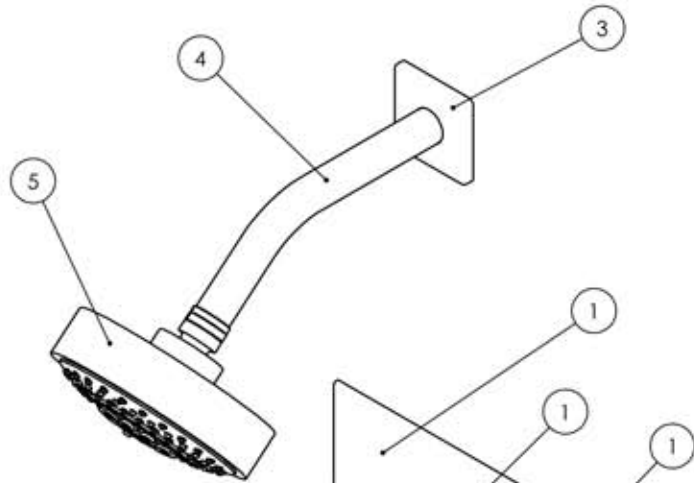
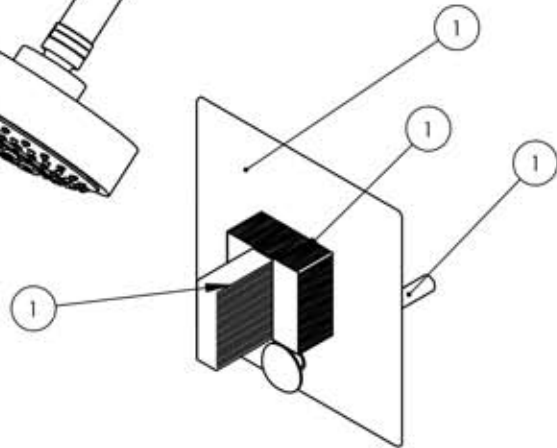


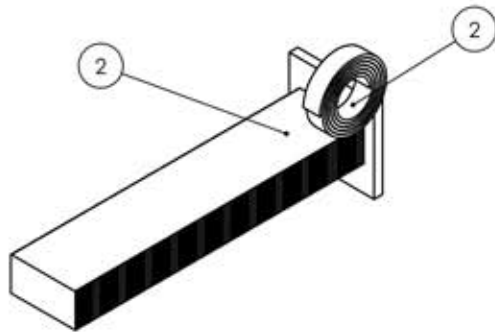
A



B



C



D

E

ITEM NO.	PART NUMBER	DESCRIPTION	QTY.
1	4-119/00	PB PLATE W/ DIVERTER, BLADE HANDLE. STRIA SERIES	1
	10959/00	SHOWER TRIM PLATE W/ DIVERTER HOLE, MIX SERIES	1
	11004	SLEEVE MOUNT, WALL SHOWER	1
	90029	O-RING, 1-5/8"ID X 1-3/4"OD X 1/16"THK, AS-568-029	1
	3-128/00	PB SHOWER SET, BLADE EDGE SERIES	1
	10963/00	HUB FOR SHOWER, EDGE SERIES	1
	10927/00	HANDLE, BLADE EDGE SERIES	1
	92176	WEAR WASHER	2
	92005	SET SCREW, CUP PT 6-32UNC THREAD 3/16"L	1
	92177	RETAINING RING, 7/16" SHAFT	1
	3-125/00	EXTENSION ASSY FOR PB TUB & SHOWER SET	1
	11008/00	DIVERTED STEM FOR PB PLATE	1
	11006/00	PULL KNOB, DIVERTER, 10-24	1
	11085/00	EXTENSION PIN FOR PB TUB & SHOWER SET	1
	P17066/00	EXTENSION SLEEVE, STEM, PB TUB & SHOWER SET	1
	11007/00	EXTENSION PIN FOR PB TUB & SHOWER SET 1.25LONGER	1
	90537	1/16" TAPE FOR WALL PLATE	1
2	3-127/00	PB WALL TUB, 291 EDGE SERIES	1
	2-096/00	SUB-ASSY, WALL LAV 291 EDGE SERIES	1
	11010/00	SPOUT, WALL MOUNT	1
	11002/00	NIPPLE, 1/2" BRAZE BUNG	1
	10939/00	ESCUTCHEON, WIDESPREAD	1
	92158	DOWEL PIN, 1/8" X 3/8"L	2
	90131	O-RING, 1-11/16ID X 3/32THK, AS-568-131	1
3	10935/00	ESCUTCHEON, SHOWER FLANGE MIX SERIES	1
4	P16008/00	SHOWER ARM (8 INCH)	1
5	809/00	SHOWER HEAD, MULTI-FUNCTION, COMTEMPORARY	1
	3-371/00	SHOWER HEAD, MULTI-FUNCTION, COMTEMPORARY	1
	P16044	MULTIFUNCTION SHOWER HEAD KIT	1
	P16044_1	SPRAYER FACE	1

1261 LOGAN AVENUE  
COSTA MESA, CALIFORNIA 92626  
PHONE: 714.361.4800  
FAX: 714.617.3120

# PHYLORICH®

Defining Luxury Since 1959

**PROPRIETARY AND CONFIDENTIAL**

THE INFORMATION CONTAINED IN THIS DRAWING IS THE SOLE PROPERTY OF RSS MANUFACTURING. ANY REPRODUCTION IN PART OR AS A WHOLE WITHOUT THE WRITTEN PERMISSION OF RSS MANUFACTURING IS PROHIBITED.

NEXT ASSY	USED ON	FRACTIONS ±1/64"	DECIMALS X.X: ±.1 X.XX: ±.01 X.XXX: ±.005	ANGULAR ±.5°
APPLICATION				
MATERIAL				
FINISH		DRAWN		6/4/2013
DO NOT SCALE DRAWING		CHECKED		

**PB SHOWER W/ DIVERTER SET TRIM, BLADE HANDLE, STRIA SERIES**

SIZE	ASM/PRT NO.	REV
<b>A</b>	291-26/00	<b>A</b>
SCALE: 1:12	WEIGHT: lbs.	SHEET 1 OF 3

5

4

3

2

1