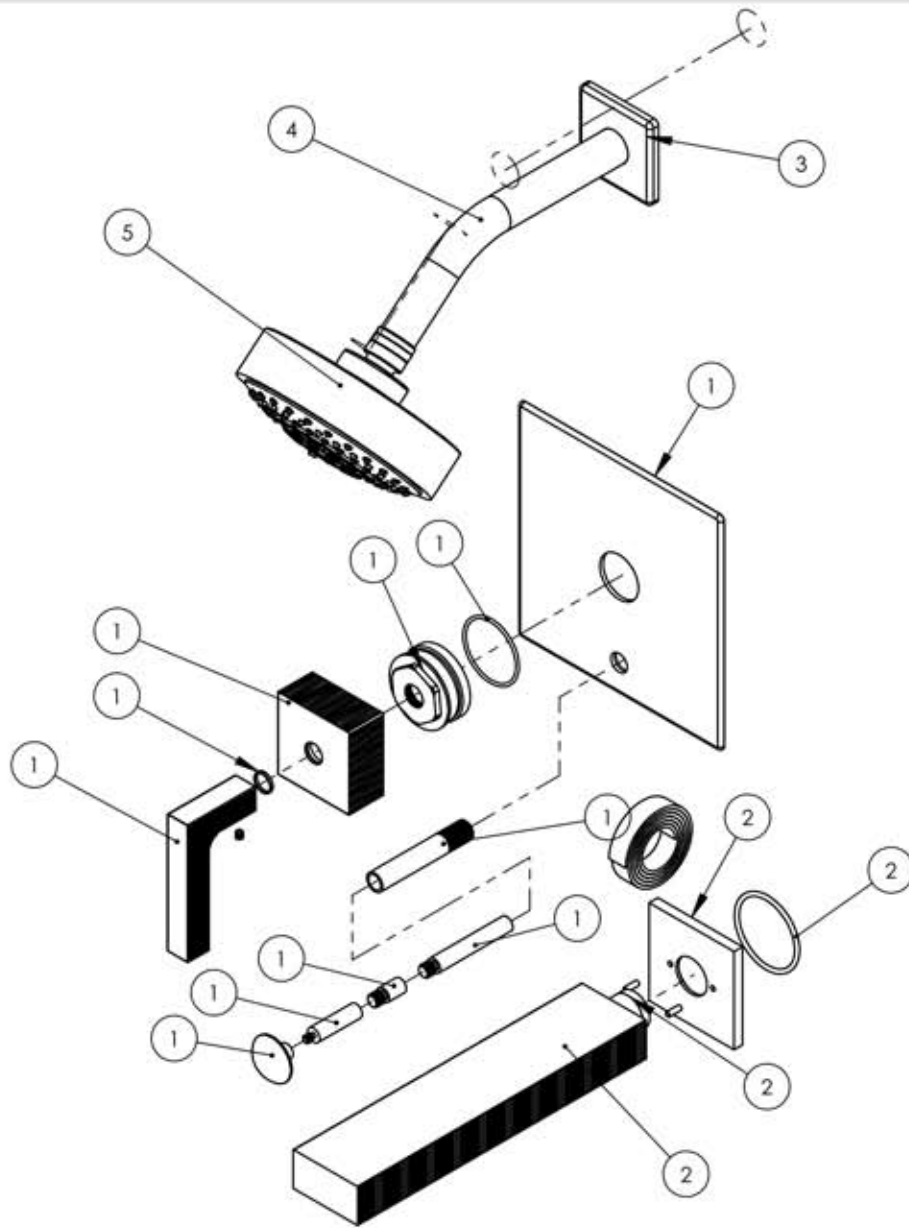


A
B
C
D
E



ITEM NO.	PART NUMBER	DESCRIPTION	QTY.
1	4-120/00	PB PLATE W/ DIVERTER, LEVER HANDLE, STRIA SERIES	1
	10959/00	SHOWER TRIM PLATE W/ DIVERTER HOLE, MIX SERIES	1
	11004	SLEEVE MOUNT, WALL SHOWER	1
	90029	O-RING, 1-5/8"ID X 1-3/4"OD X 1/16"THK, AS-568-029	1
	3-129/00	PB SHOWER SET, LEVER EDGE SERIES	1
	10963/00	HUB FOR SHOWER, EDGE SERIES	1
	10298/00	HANDLE, LEVER EDGE SERIES	1
	92005	SET SCREW, CUP PT 6-32UNC THREAD 3/16"L	1
	92176	WEAR WASHER	1
	92008	SET SCREW, CUP POINT 8-32	1
	3-125/00	EXTENSION ASSY FOR PB TUB & SHOWER SET	1
	11008/00	DIVERTED STEM FOR PB PLATE	1
	11006/00	PULL KNOB, DIVERTER, 10-24	1
	11085/00	EXTENSION PIN FOR PB TUB & SHOWER SET	1
	P17066/00	EXTENSION SLEEVE, STEM, PB TUB & SHOWER SET	1
	11007/00	EXTENSION PIN FOR PB TUB & SHOWER SET 1.25"LONGER	1
	90537	1/16" TAPE FOR WALL PLATE	1
2	3-127/00	PB WALL TUB, 291 EDGE SERIES	1
	2-096/00	SUB-ASSY, WALL LAV 291 EDGE SERIES	1
	11010/00	SPOUT, WALL MOUNT	1
	11002/00	NIPPLE, 1/2" BRAZE BUNG	1
	10939/00	ESCUTCHEON, WIDESPREAD	1
	92158	DOWEL PIN, 1/8" X 3/8"L	2
	90131	O-RING, 1-11/16ID X 3/32THK, AS-568-131	1
3	10935/00	ESCUTCHEON, SHOWER FLANGE MIX SERIES	1
4	P16008/00	SHOWER ARM (8 INCH)	1
5	809/00	SHOWER HEAD, MULTI-FUNCTION, COMTEMPORARY	1
	3-371/00	SHOWER HEAD, MULTI-FUNCTION, COMTEMPORARY	1
	P16044	MULTIFUNCTION SHOWER HEAD KIT	1
	P16044-1	SPRAYER FACE	1

NEXT ASSY	USED ON	INTERPRET GEOMETRIC DIMENSIONING & TOLERANCING IN ACCORDANCE WITH ASME Y14.5-2009 & ASME Y14.41-2003 STANDARDS, UNLESS OTHERWISE SPECIFIED. DIMENSIONS ARE IN INCHES. TOLERANCES ARE:		
APPLICATION		FRACTIONS ±1/64"	DECIMALS X.X: ±.1 X.XX: ±.01 X.XXX: ±.005	ANGULAR ±.5°
MATERIAL			NAME	DATE
FINISH		DRAWN		6/4/2013
		CHECKED		

PB SHOWER W/ DIVERTER SET TRIM, LEVER HANDLE, STRIA SERIES

SIZE	ASM/PRT NO.	REV
A	291-27/00	A
SCALE: 1:4	WEIGHT: lbs.	SHEET 1 OF 3

1261 LOGAN AVENUE
COSTA MESA, CALIFORNIA 92626
PHONE: 714.361.4800
FAX: 714.617.3120

PHYLIRICH®

Defining Luxury Since 1959

PROPRIETARY AND CONFIDENTIAL

THE INFORMATION CONTAINED IN THIS DRAWING IS THE SOLE PROPERTY OF RSS MANUFACTURING. ANY REPRODUCTION IN PART OR AS A WHOLE WITHOUT THE WRITTEN PERMISSION OF RSS MANUFACTURING IS PROHIBITED.

DO NOT SCALE DRAWING