



TECHNICAL DETAILS

| | |
|---------------------------------------|------------------------------------|
| ADA Compliance: Yes | Water Pressure Recommended: 60 PSI |
| Deck Thickness Maximum: 2" | |
| Deck Thickness Minimum: 1/8" | |
| Drain Assembly Material: Brass | |
| Drain Style: Lift pop-up | |
| Fitting Hole Diameter: 1 1/8" | |
| Number of Holes: Three Hole | |
| Number of Handles: Two | |
| Handle Spread Maximum: 12" | |
| Handle Spread Minimum: 8" | |
| Handle Turn Angle: Quarter Turn | |
| Spout Reach: 5 1/2" | |
| Spout Height: 6 3/8" | |
| Inlet Connection Type: Male 1/2" NPSM | |
| Installation Type: Deck Mounted | |
| Primary Material: Brass | |
| Valve Material: Ceramic | |
| Flow Restriction: 1.2 gpm | |
| Water Pressure Maximum: 85 PSI | |
| Water Pressure Minimum: 20 PSI | |

PRODUCT FEATURES

- Style: Traditional
- Collection: Regent
- Temperature Controlled By Handles
- Lever Handles
- Green Onyx

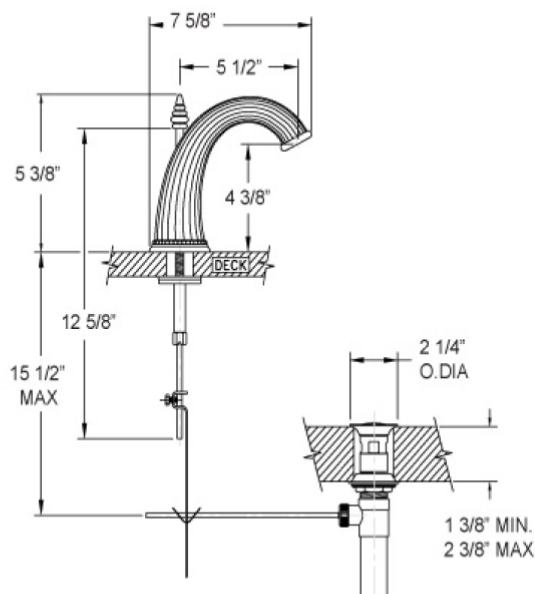
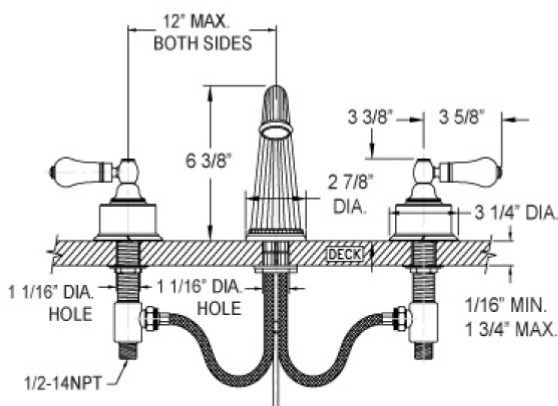
CODES & STANDARDS



ASME A112.181/ CSA B1251, ASME 112.18.2/ CSA B125.2, ANSI NSF, CEC, Watersense 61 Sect. 9, State of MA.

WARRANTY

Mechanical Warranty: 10 Years from date of purchase.
Finish Warranty: See catalog for further information.





TECHNICAL DETAILS

ADA Compliance: Yes
 Deck Thickness Maximum: 2"
 Deck Thickness Minimum: 1/8"
 Drain Assembly Material: Brass
 Drain Style: Lift pop-up
 Fitting Hole Diameter: 1 1/8"
 Number of Holes: Three Hole
 Number of Handles: Two
 Handle Spread Maximum: 12"
 Handle Spread Minimum: 8"
 Handle Turn Angle: Quarter Turn
 Spout Reach: 5 1/2"
 Spout Height: 6 3/8"
 Inlet Connection Type: Male 1/2" NPSM
 Installation Type: Deck Mounted
 Primary Material: Brass
 Valve Material: Ceramic
 Flow Restriction: 1.2 gpm
 Water Pressure Maximum: 85 PSI
 Water Pressure Minimum: 20 PSI

PRODUCT FEATURES

- Style: Traditional
- Collection: Regent
- Temperature Controlled By Handles
- Lever Handles
- Montaigne Brown Onyx

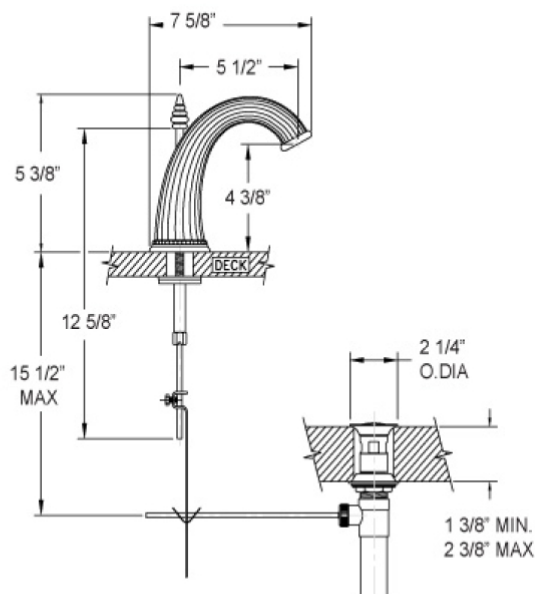
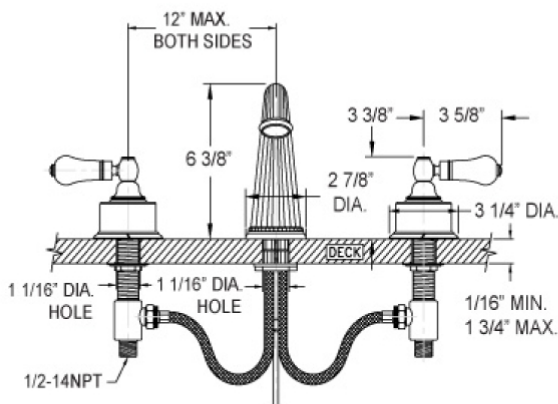
CODES & STANDARDS



ASME A112.181/ CSA B1251, ASME 112.18.2/ CSA B125.2, ANSI NSF, CEC, Watersense 61 Sect. 9, State of MA.

WARRANTY

Mechanical Warranty: 10 Years from date of purchase.
 Finish Warranty: See catalog for further information.





TECHNICAL DETAILS

| | |
|---------------------------------------|------------------------------------|
| ADA Compliance: Yes | Water Pressure Recommended: 60 PSI |
| Deck Thickness Maximum: 2" | |
| Deck Thickness Minimum: 1/8" | |
| Drain Assembly Material: Brass | |
| Drain Style: Lift pop-up | |
| Fitting Hole Diameter: 1 1/8" | |
| Number of Holes: Three Hole | |
| Number of Handles: Two | |
| Handle Spread Maximum: 12" | |
| Handle Spread Minimum: 8" | |
| Handle Turn Angle: Quarter Turn | |
| Spout Reach: 5 1/2" | |
| Spout Height: 6 3/8" | |
| Inlet Connection Type: Male 1/2" NPSM | |
| Installation Type: Deck Mounted | |
| Primary Material: Brass | |
| Valve Material: Ceramic | |
| Flow Restriction: 1.2 gpm | |
| Water Pressure Maximum: 85 PSI | |
| Water Pressure Minimum: 20 PSI | |

PRODUCT FEATURES

- Style: Traditional
- Collection: Regent
- Temperature Controlled By Handles
- Lever Handles
- Bleu Sodalite

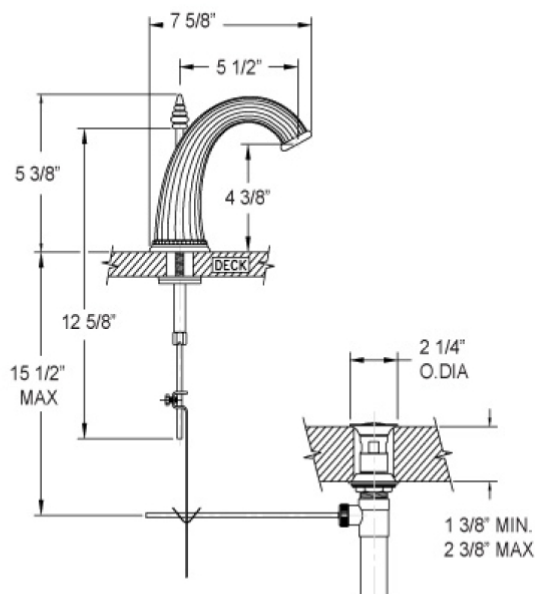
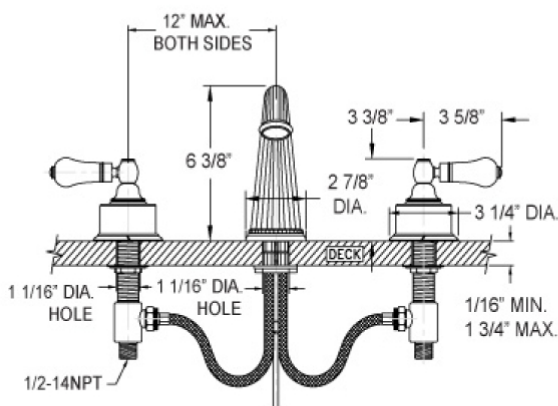
CODES & STANDARDS



ASME A112.181/ CSA B1251, ASME 112.18.2/ CSA B125.2, ANSI NSF, CEC, Watersense 61 Sect. 9, State of MA.

WARRANTY

Mechanical Warranty: 10 Years from date of purchase.
Finish Warranty: See catalog for further information.





TECHNICAL DETAILS

ADA Compliance: Yes
 Deck Thickness Maximum: 2"
 Deck Thickness Minimum: 1/8"
 Drain Assembly Material: Brass
 Drain Style: Lift pop-up
 Fitting Hole Diameter: 1 1/8"
 Number of Holes: Three Hole
 Number of Handles: Two
 Handle Spread Maximum: 12"
 Handle Spread Minimum: 8"
 Handle Turn Angle: Quarter Turn
 Spout Reach: 5 1/2"
 Spout Height: 6 3/8"
 Inlet Connection Type: Male 1/2" NPSM
 Installation Type: Deck Mounted
 Primary Material: Brass
 Valve Material: Ceramic
 Flow Restriction: 1.2 gpm
 Water Pressure Maximum: 85 PSI
 Water Pressure Minimum: 20 PSI

Water Pressure Recommended: 60 PSI

PRODUCT FEATURES

- Style: Traditional
- Collection: Regent
- Temperature Controlled By Handles
- Lever Handles
- Pink Onyx

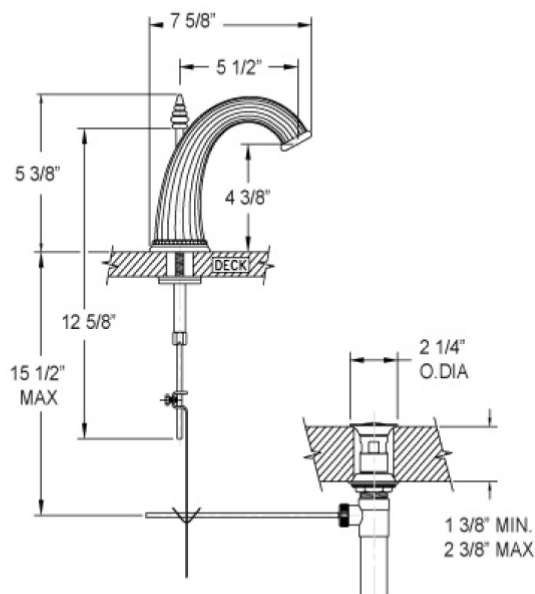
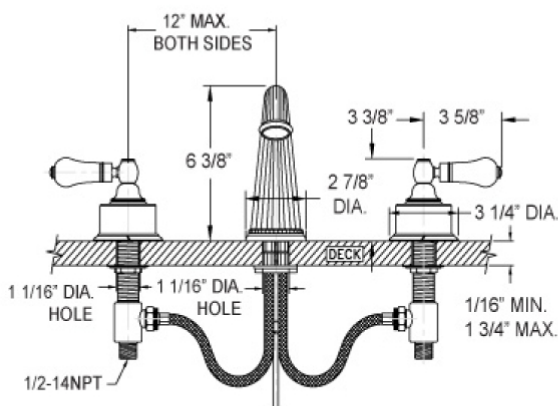
CODES & STANDARDS



ASME A112.181/ CSA B1251, ASME 112.18.2/ CSA B125.2, ANSI NSF, CEC, Watersense 61 Sect. 9, State of MA.

WARRANTY

Mechanical Warranty: 10 Years from date of purchase.
 Finish Warranty: See catalog for further information.





TECHNICAL DETAILS

ADA Compliance: Yes
 Deck Thickness Maximum: 2"
 Deck Thickness Minimum: 1/8"
 Drain Assembly Material: Brass
 Drain Style: Lift pop-up
 Fitting Hole Diameter: 1 1/8"
 Number of Holes: Three Hole
 Number of Handles: Two
 Handle Spread Maximum: 12"
 Handle Spread Minimum: 8"
 Handle Turn Angle: Quarter Turn
 Spout Reach: 5 1/2"
 Spout Height: 6 3/8"
 Inlet Connection Type: Male 1/2" NPSM
 Installation Type: Deck Mounted
 Primary Material: Brass
 Valve Material: Ceramic
 Flow Restriction: 1.2 gpm
 Water Pressure Maximum: 85 PSI
 Water Pressure Minimum: 20 PSI

Water Pressure Recommended: 60 PSI

PRODUCT FEATURES

- Style: Traditional
- Collection: Regent
- Temperature Controlled By Handles
- Lever Handles
- Frieze Black Onyx

CODES & STANDARDS



ASME A112.181/ CSA B1251, ASME 112.18.2/ CSA B125.2, ANSI NSF, CEC, Watersense 61 Sect. 9, State of MA.

WARRANTY

Mechanical Warranty: 10 Years from date of purchase.
 Finish Warranty: See catalog for further information.

