

SPECIFICATIONS

PLASTIC TOUCH DOWN DRAIN ASSEMBLY

Model

DA505207

Description

- 2 1/4" maximum sink thickness allowed
- ABS tailpiece with 1 1/4" diameter

Standards

NONE

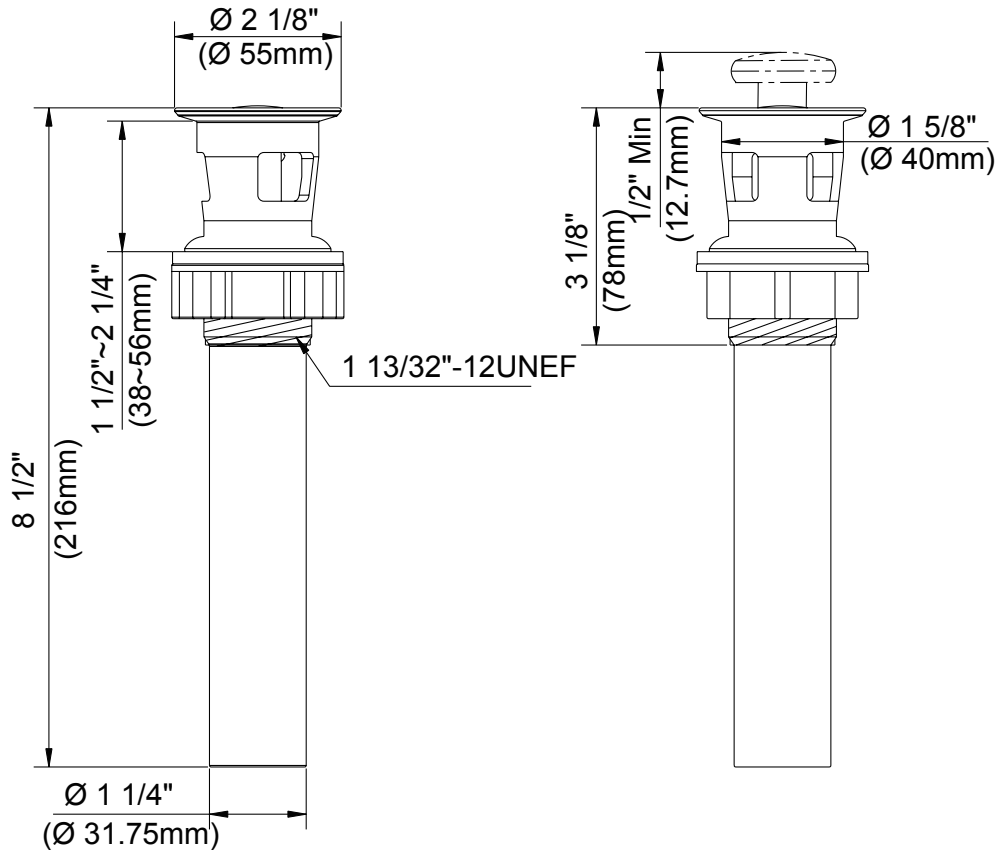
Warranty

Danze products are covered by a manufacturer's limited "lifetime" warranty for manufacturing defects.



Finishes Available

- Chrome
- Other: Refer to Price List for additional finish



Submittal Information:

Job Name: _____

Location: _____

Contractor: _____

Contact #: _____