

INSTALLATION SUBMITTAL AND DIMENSION

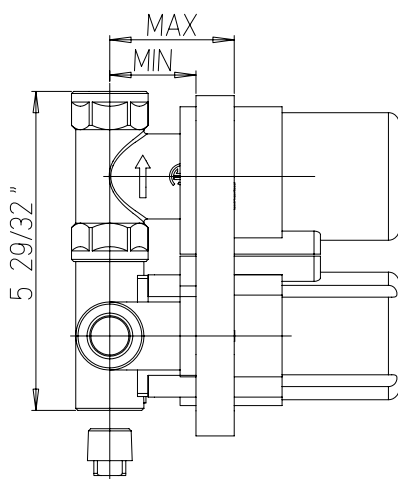
VALVE 690

Thermostatic Valve with $\frac{3}{4}$ " volume control
 $\frac{1}{2}$ " inch inlet connections

STANDARDS

- Compliant with ASME A112.18.1 B125.1 when sold with external trim
- Certified by or IAPMO R&T Lab when sold with external

DIMENSIONS



Rough valve



FEATURES

- Thermo control cartridge
- $\frac{1}{2}$ " NPT connections
- Flows 7.1 GPM @ 60 PSI
- Step-By-Step Installation Instructions
- Limited Lifetime Warranty
- Includes Test Plug

