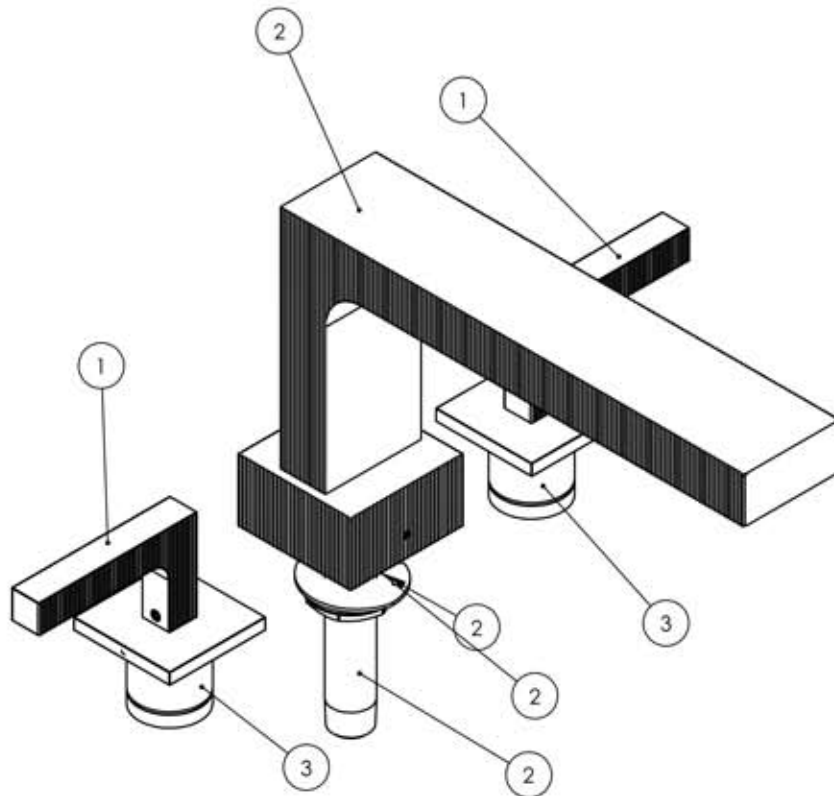


A

B

C

D



ITEM NO.	PART NUMBER	DESCRIPTION	QTY.
1	3-109/00	ASSY. HANDLE RIBBED LEVER	2
	10937/00	ESCUTCHEON, HANDLE EDGE SERIES	1
	10298/00	HANDLE, LEVER EDGE SERIES	1
	92005	SET SCREW, CUP PT 6-32UNC THREAD 3/16"L	1
	92176	WEAR WASHER	1
	92008	SET SCREW, CUP POINT 8-32	1
2	3-107/00	ASSY. SPOUT ROMAN TUB RIBBED LOW	1
	10951/00	SPOUT, DECK TUB 291 STRIA	1
	10987	NIPPLE 1/2" NPT TO NPSM	1
	92158	DOWEL PIN, 1/8" X 3/8"L	2
	92175	NUT, MOUNT 1/2" NPS	1
	92174	WASHER MOUNT WIDESPREAD (3/8")	1
	90131	O-RING, 1-11/16ID X 3/32THK, AS-568-131	1
	11224/00	ESCUTCHEON, SPOUT STRIA SERIES	1
	11220	SPUD SCREW, 1/2"-NPSM CONNECTOR	1
	P05051	AERATOR, CACHE COINED SLOT M24X1.0 FULL FLOW	1
3	11077	SLEEVE MOUNT, DECK (ROMAN) TUB	2

ZONE	REV.	DESCRIPTION	DATE	APPROVED
		REVISIONS		

1261 LOGAN AVENUE COSTA MESA, CALIFORNIA 92626 PHONE: 714.361.4800 FAX: 714.617.3120		<h1>PHYLORICH®</h1> <p>Defining Luxury Since 1959</p>	PROPRIETARY AND CONFIDENTIAL THE INFORMATION CONTAINED IN THIS DRAWING IS THE SOLE PROPERTY OF RSS MANUFACTURING. ANY REPRODUCTION IN PART OR AS A WHOLE WITHOUT THE WRITTEN PERMISSION OF RSS MANUFACTURING IS PROHIBITED.
---	--	---	---

-	-	INTERPRET GEOMETRIC DIMENSIONING & TOLERANCING IN ACCORDANCE WITH ASME Y14.5-2009 & ASME Y14.41-2003 STANDARDS, UNLESS OTHERWISE SPECIFIED. DIMENSIONS ARE IN INCHES. TOLERANCES ARE:		
NEXT ASSY	USED ON	FRACTIONS ±1/64"	DECIMALS X.X: ±.1 X.XX: ±.01 X.XXX: ±.005	ANGULAR ±.5°
APPLICATION		MATERIAL	NAME	DATE
FINISH		DRAWN	6/4/2013	
DO NOT SCALE DRAWING		CHECKED		

DECK TUB SET TRIM, LEVER HANDLE, STRIA SERIES

SIZE	ASM/PRT NO.	REV
A	291-41/00	
SCALE: 1:3	WEIGHT: lbs.	SHEET 1 OF 2

5

4

3

2

1