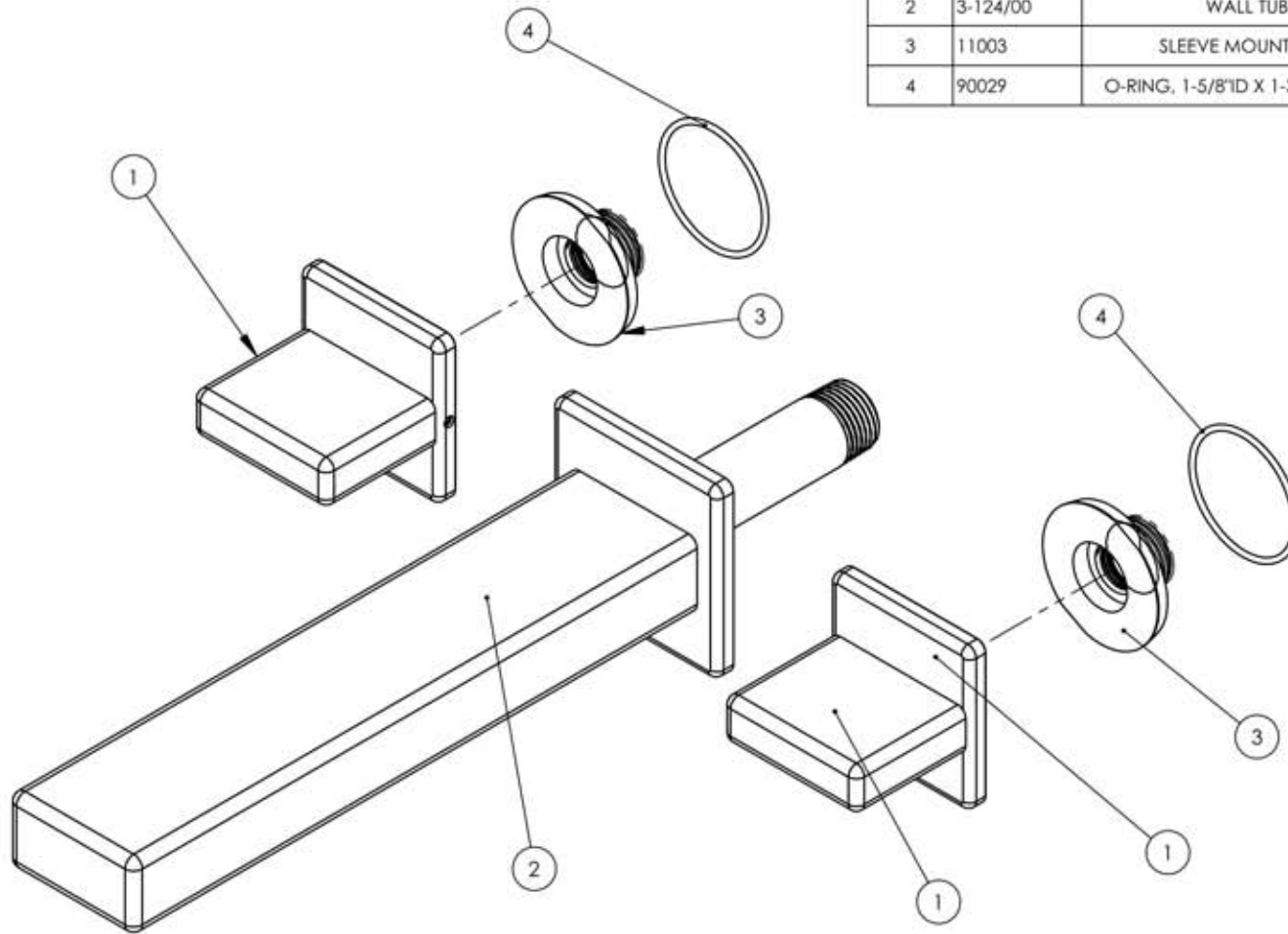


ITEM NO.	PART NUMBER	DESCRIPTION	QTY.
1	3-101/00	ASSY, HANDLE BLADE MIX	2
2	3-124/00	WALL TUB SPOUT, MIX SERIES	1
3	11003	SLEEVE MOUNT, WALL MT WIDESPREAD	2
4	90029	O-RING, 1-5/8"ID X 1-3/4"OD X 1/16"THK, AS-568-029	2



ZONE	REV.	DESCRIPTION	DATE	APPROVED
REVISIONS				

1261 LOGAN AVENUE COSTA MESA, CALIFORNIA 92626 PHONE: 714.361.4800 FAX: 714.617.3120	<h1>PHYLORICH®</h1> <p>Defining Luxury Since 1959</p>	PROPRIETARY AND CONFIDENTIAL <small>THE INFORMATION CONTAINED IN THIS DRAWING IS THE SOLE PROPERTY OF RISS MANUFACTURING. ANY REPRODUCTION IN PART OR AS A WHOLE WITHOUT THE WRITTEN PERMISSION OF RISS MANUFACTURING IS PROHIBITED.</small>
---	---	--

NEXT ASSY	USED ON	INTERPRET GEOMETRIC DIMENSIONING & TOLERANCING IN ACCORDANCE WITH ASME Y14.5-2009 & ASME Y14.41-2003 STANDARDS. UNLESS OTHERWISE SPECIFIED, DIMENSIONS ARE IN INCHES. TOLERANCES ARE:		
MATERIAL	APPLICATION	FRACTIONS ±1/64"	DECIMALS X.X: ±.1 X.XX: ±.01 X.XXX: ±.005	ANGULAR ±.5°
FINISH	DRAWN	NAME	DATE	
	CHECKED		5/31/2013	

WALL TUB SET, 290 MIX SERIES, BLADE

SIZE	ASM/PRT NO.	REV
A	290-56	
SCALE: 1:8	WEIGHT: lbs.	SHEET 1 OF 2

5

4

3

2

1

DO NOT SCALE DRAWING