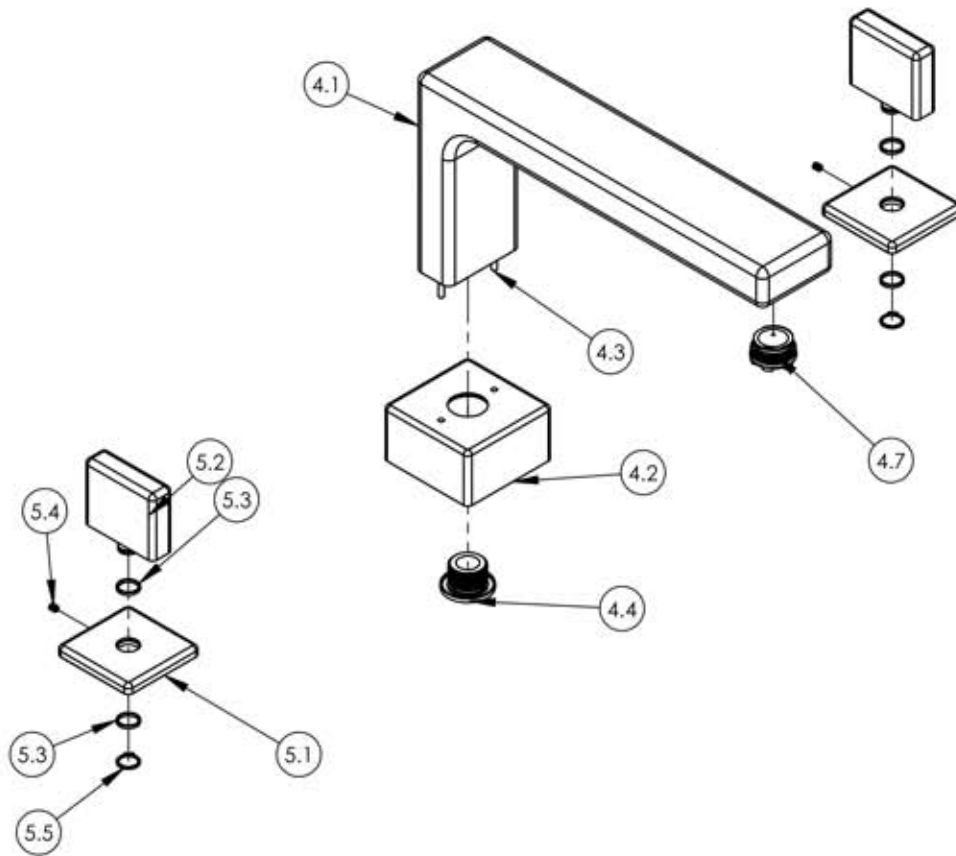


A

B

C

D



ITEM NO.	PART NUMBER	DESCRIPTION	QTY.
1	1-064	VALVE, ROMAN TUB 3/4" COLD	1
1.1	10717	VALVE BODY, ROMAN TUB	1
1.2	10738	INTERNAL SEAT FOR ROMAN TUB	1
1.3	90013	O-RING, 7/16"ID X 9/16"OD X 1/16"THK, AS-568-013	1
1.4	10239	CARTRIDGE, 3/4"G X 9/16"-20UN 16PT COLD	1
1.5	92038	NUT, FLANGED 1-1/4"-20 THREAD	1
2	1-065	VALVE, ROMAN TUB 3/4" HOT	1
2.1	10717	VALVE BODY, ROMAN TUB	1
2.2	10738	INTERNAL SEAT FOR ROMAN TUB	1
2.3	90013	O-RING, 7/16"ID X 9/16"OD X 1/16"THK, AS-568-013	1
2.4	10240	CARTRIDGE, 3/4"G X 9/16"-20UN 16PT HOT	1
2.5	92038	NUT, FLANGED 1-1/4"-20 THREAD	1
3	11077	SLEEVE MOUNT, DECK (ROMAN) TUB	2
4	3-099	ASSEMBLY, SPOUT ROMAN TUB, LOW, MIX SERIES	1
4.1	10949/00	SPOUT, DECK TUB 290 MIX	1
4.2	11221/00	ESCUTCHEON, SPOUT MIX SERIES	1
4.3	92158	DOWEL PIN, 1/8" X 3/8"L	2
4.4	11220	SPUD SCREW, 1/2"-NPSM CONNECTOR	1
4.5	90034	O-RING, 2-1/8"ID X 2-1/4"OD X 1/16"THK, AS-568-034	1
4.6	90020	O-RING, 7/8"ID X 1"OD X 1/16"THK, AS-568-020	1
4.7	P05051	AERATOR, CACHE COINED SLOT M24X1.0 FULL FLOW	1
5	3-101/00	ASSY, HANDLE BLADE MIX	2
5.1	10932/00	ESCUTCHEON, HANDLE MIX SERIES	1
5.2	10923/00	HANDLE, BLADE MIX SERIES	1
5.3	92176	WEAR WASHER	2
5.4	92005	SET SCREW, CUP PT 6-32UNC THREAD 3/16"L	1
5.5	92177	RETAINING RING, 7/16" SHAFT	1

E

ZONE	REV.	DESCRIPTION	DATE	APPROVED
		REVISIONS		

1261 LOGAN AVENUE COSTA MESA, CALIFORNIA 92626 PHONE: 714.361.4800 FAX: 714.617.3120	PHYL RICH [®] Defining Luxury Since 1959	PROPRIETARY AND CONFIDENTIAL THE INFORMATION CONTAINED IN THIS DRAWING IS THE SOLE PROPERTY OF RISS MANUFACTURING. ANY REPRODUCTION IN PART OR AS A WHOLE WITHOUT THE WRITTEN PERMISSION OF RISS MANUFACTURING IS PROHIBITED.
---	---	---

-	-	INTERPRET GEOMETRIC DIMENSIONING & TOLERANCING IN ACCORDANCE WITH ASME Y14.5-2009 & ASME Y14.41-2003 STANDARDS, UNLESS OTHERWISE SPECIFIED. DIMENSIONS ARE IN INCHES. TOLERANCES ARE:
NEXT ASSY	USED ON	FRACTIONS ±1/64"
APPLICATION		DECIMALS X.X: ±.1 X.XX: ±.01 X.XXX: ±.005
MATERIAL		ANGULAR ±.5°
FINISH		NAME DATE
		DRAWN CA 5/28/2013
		CHECKED MAF
DO NOT SCALE DRAWING		

DECK TUB SET TRIM, BLADE HANDLE, MIX SERIES

SIZE	ASM/PRT NO.	REV
A	290-40/00	A
SCALE: 1:4	WEIGHT: lbs.	SHEET 1 OF 2

5

4

3

2

1