

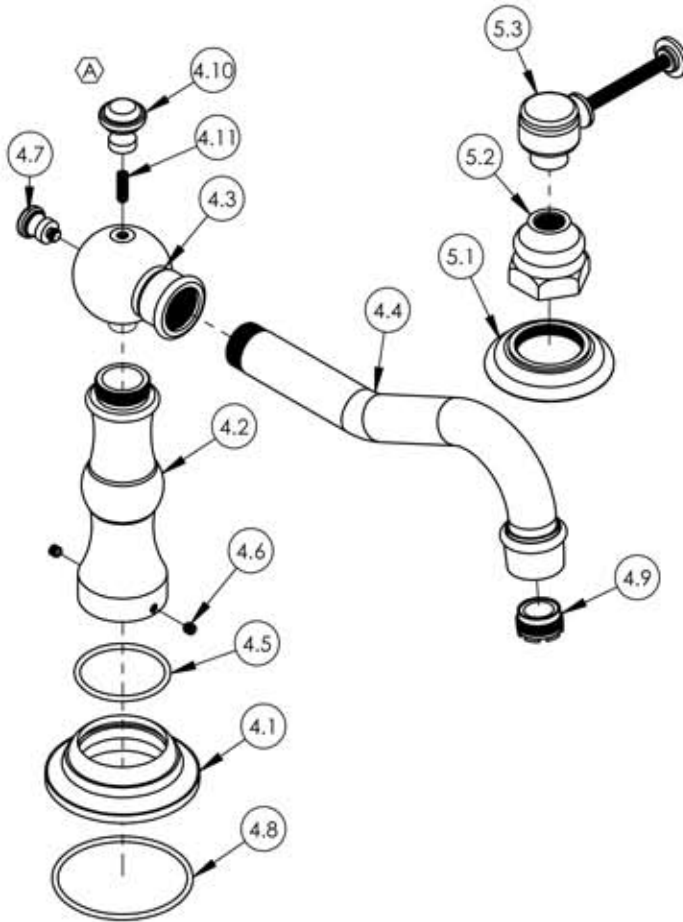
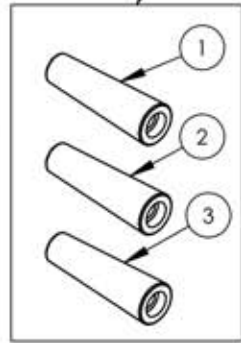
A

B

C

D

OPTIONAL STONE
INSERTS



ITEM NO.	PART NUMBER	DESCRIPTION	QTY.
1	11328/030	BLACK MARBLE, HANDLE INSERT	1
2	11329/031	WHITE MARBLE, HANDLE INSERT	1
3	11330/032	SOAP STONE, HANDLE INSERT	1
4	3-395/00	ASSY., SPOUT, DECK TUB, MAISON SERIES	1
4.1	11273/00	ESCUTCHEON, BASE SPOUT RISER	1
4.2	11274/00	SPOUT RISER, DECK TUB	1
4.3	11275/00	BALL TRANSITION, DECK TUB RISER	1
4.4	2-146	SUB ASSY. SPOUT BRAZED AERATOR HOUSING	1
4.5	90129	O-RING, 1-9/16"ID X 3/32THK, AS-568-129	1
4.6	92024	SET SCREW, CUP POINT 10-24UNC 3/16" LENGTH	2
4.7	11152/00	FINIAL END BACK, TRADITIONAL	1
4.8	90142	O-RING, 2-3/8"ID X 3/32THK., AS-568-142	1
4.9	P05024	AERATOR CACHE COIN SLOT, M21.5X1.0 FULL FLOW	1
4.10	11153/00	POP-UP KNOB, TRADITIONAL	1
4.11	92152	SET SCREW, CUP PT, 10-24 UNC X 5/8"L	1
5	3-424	LEVER HANDLE (LESS INSERT), DECK TUB	2
5.1	10620/00	ESCUTCHEON, TRADITIONAL RT 1-1/4"-20	1
5.2	10621/00	BASE HUB NUT	1
5.3	2-142/00	LEVER HANDLE, LESS INSERT	1

E

A4	REV.	DESCRIPTION	DATE	APPROVED
A4	A	-SUB ASSY. 3-395/00 WAS UPDATED	11/4/2015	GRE

REVISIONS

1261 LOGAN AVENUE
COSTA MESA, CALIFORNIA 92626
PHONE: 714.361.4800
FAX: 714.617.3120

PHYLORICH®

Defining Luxury Since 1959

PROPRIETARY AND CONFIDENTIAL

THE INFORMATION CONTAINED IN THIS DRAWING IS THE SOLE PROPERTY OF RISS MANUFACTURING. ANY REPRODUCTION IN PART OR AS A WHOLE WITHOUT THE WRITTEN PERMISSION OF RISS MANUFACTURING IS PROHIBITED.

FRACCTIONS ±1/64"	DECIMALS X.X: ±.1 X.XX: ±.01 X.XXX: ±.005	ANGULAR ±.5°
INTERPRET GEOMETRIC DIMENSIONING & TOLERANCING IN ACCORDANCE WITH ASME Y14.5-2009 & ASME Y14.41-2003 STANDARDS, UNLESS OTHERWISE SPECIFIED. DIMENSIONS ARE IN INCHES. TOLERANCES ARE:		
NEXT ASSY USED ON		
APPLICATION		
MATERIAL	NAME	DATE
FINISH	DRAWN	LLO 11/2/2015
DO NOT SCALE DRAWING	CHECKED	GRE

DECK TUB SET, MARBLE LEVER HANDLES,
HENRI SERIES

SIZE	ASM/PRT NO.	REV
A	161-42/00	A

SCALE: 1:3.5 WEIGHT: lbs. SHEET 1 OF 2

5

4

3

2

1