

**SPECIFICATIONS**

**PARMA™ HANDSHOWER**

**Model**

D462035

**Description**

- 5 function handshower: wide, centerjet, aeration, massage and wide + centerjet
- Check valve included for backflow prevention Ω
- Dual valve technology
- Easy clean jets
- 1.5gpm (5.7 L/min) maximum flow rate @80psi
- Uses 40% less water than a standard handshower flowing at 2.5gpm

**Standards**



• UPC/cUPC



• ASME 112.18.1

Watersense pending

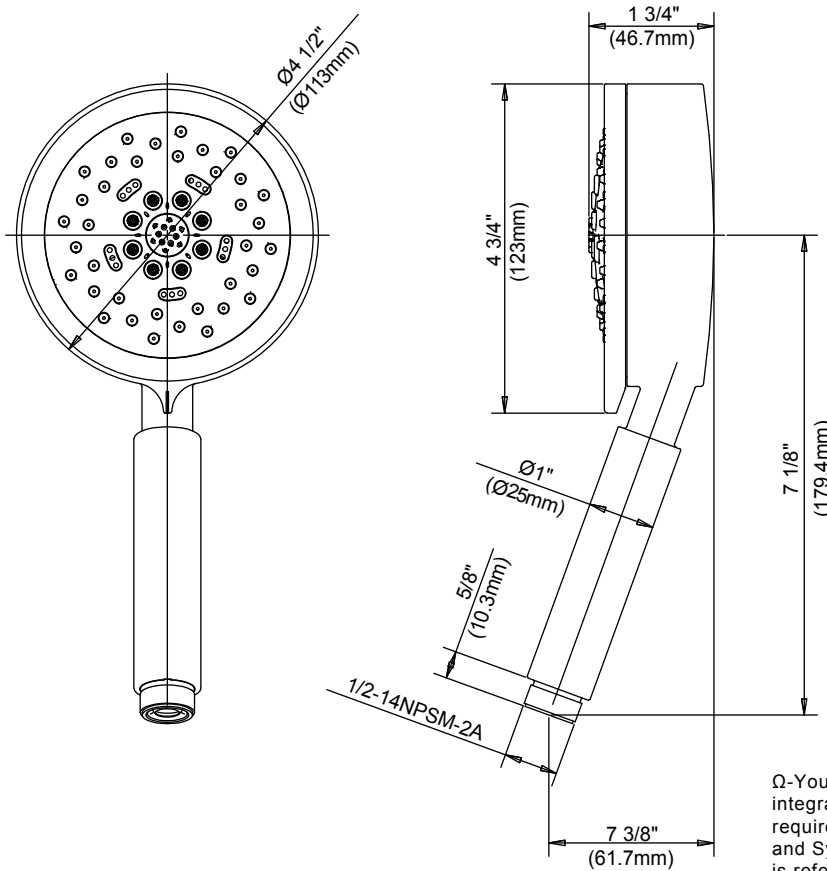
**Warranty**

Danze products are covered by a manufacturer's limited "lifetime" warranty for manufacturing defects.



**Finishes Available**

- Chrome
- Other: Refer to Price List for additional finish



Ω-Your Danze Slide Bar Assemblies contain two integral check valves which individually meet the requirements of ASME 112.18.3 Performance Devices and Systems in Plumbing Fixtures & Fittings which is referenced in ASME 112.18.1. Check valves are located in the handshower handle and the hose.

Submittal Information:

Job Name: \_\_\_\_\_

Location: \_\_\_\_\_

Contractor: \_\_\_\_\_

Contact #: \_\_\_\_\_