

SPECIFICATIONS

VERSA™ 30" SLIDE BAR ASSEMBLY

Model

D461728

Description

- 5 function handshower: wide, centerjet, aeration, massage and wide + centerjet
- Check valve included for backflow prevention Ω
- With 30" Versa™ slide bar
- With Parma Handshower D462032
- Dual valve technology
- 72" metal hose
- 2.5gpm (9.5L/min) maximum flow rate @80psi

Standards



• UPC/cUPC

MEETS ASME A112.18.1M/ A112.18.1

• ASME A112.18.1M/ A112.18.1

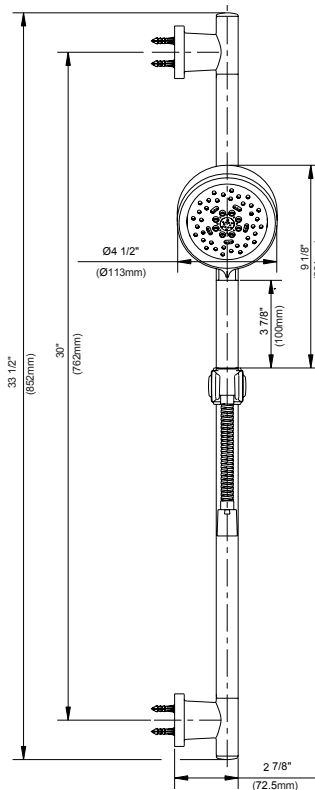
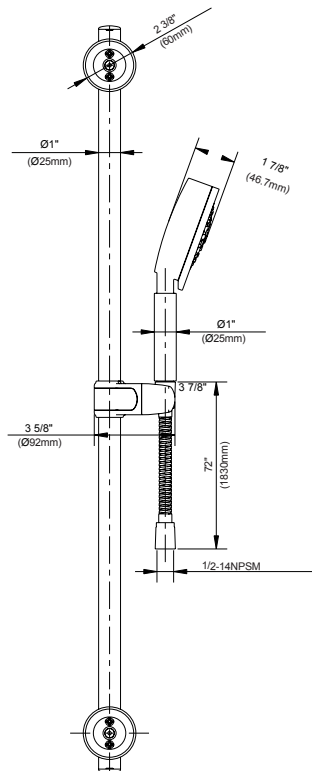


Finishes Available

- Chrome
- Other: Refer to Price List for additional finish

Warranty

Danze products are covered by a manufacturer's limited "lifetime" warranty for manufacturing defects.



Submittal Information:

Job Name: _____

Location: _____

Contractor: _____

Contact #: _____