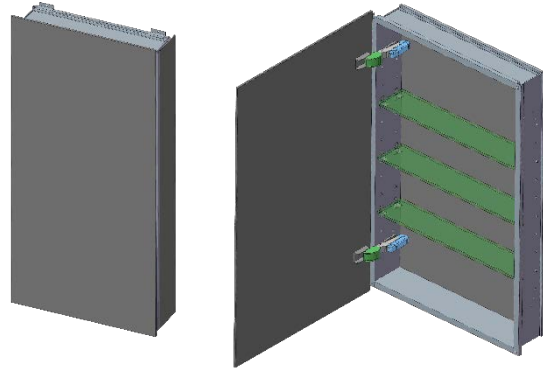


# SIDLER®

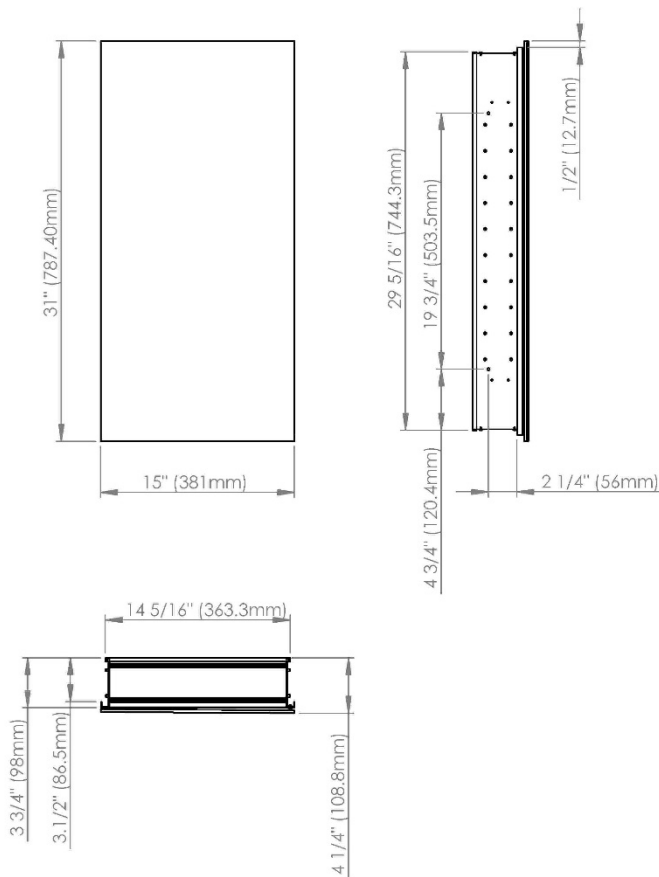
Model#	10.15314.000
Model	1/15" x 31" x 4"



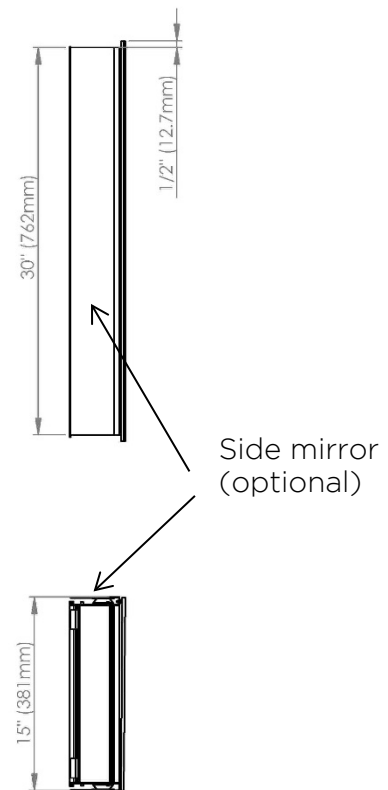
## Including:

- Silverlasting™ double-sided mirror doors (left and right option)
- 3 Glass shelves
- Blum soft-close hinges
- Mirrored interior
- Anodized aluminum body

## Recessed (Rough Opening 14 5/16" x 29 5/16")



## Surface Mount



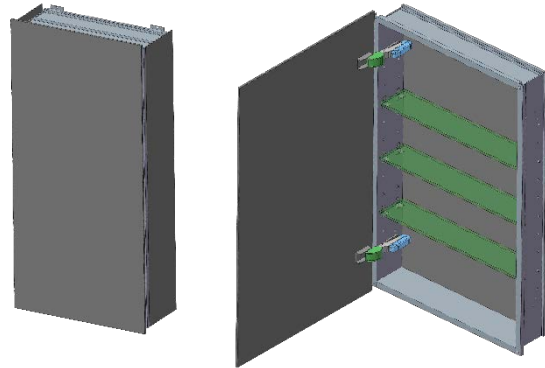
7626 Winston Street  
Burnaby, BC V5A 2H4  
CANADA

Phone: 604 415 2422  
Toll Free: 888 415 2422  
Fax: 604 415 2433

info@sidler-international.com  
www.sidler-international.com

# SIDLER®

Model#	10.15316.000
Model	1/15" x 31" x 6"



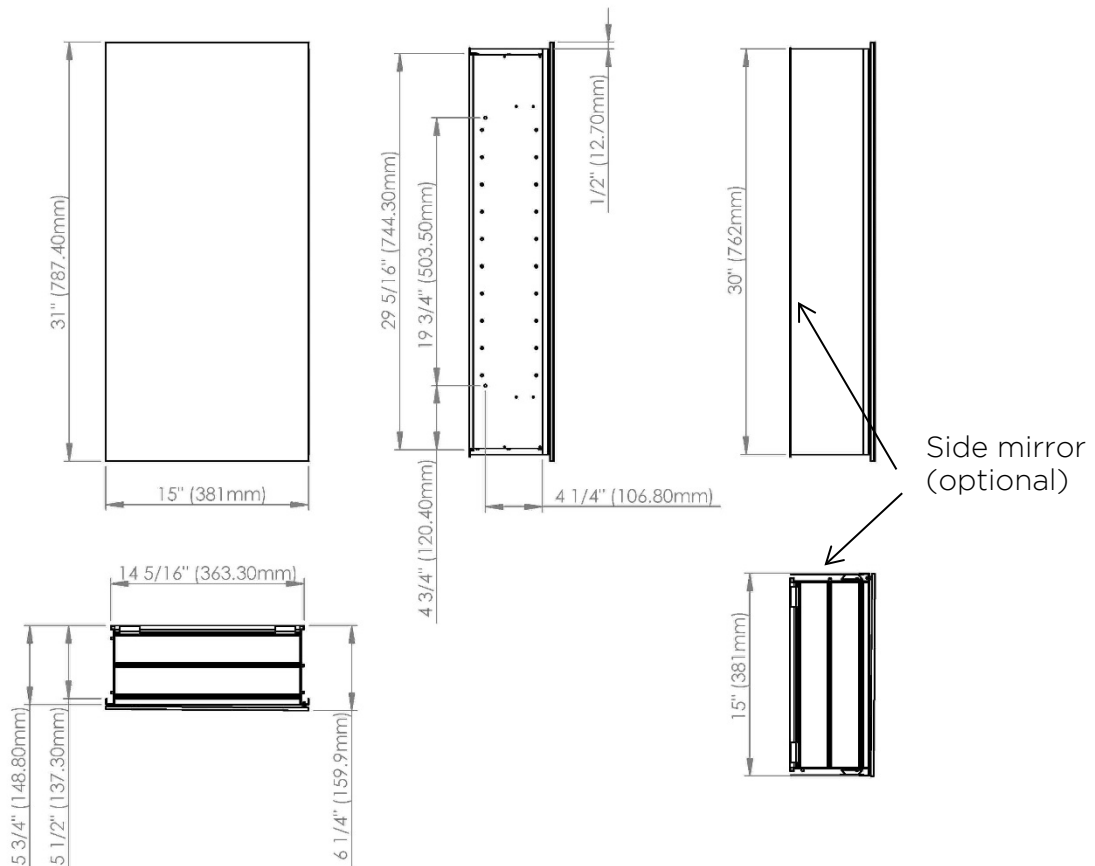
## Including:

- Silverlasting™ double-sided mirror doors (left and right option)
- 3 Glass shelves
- Blum soft-close hinges
- Mirrored interior
- Anodized aluminum body

## Recessed

(Rough Opening 14 5/16" x 29 5/16")

## Surface Mount

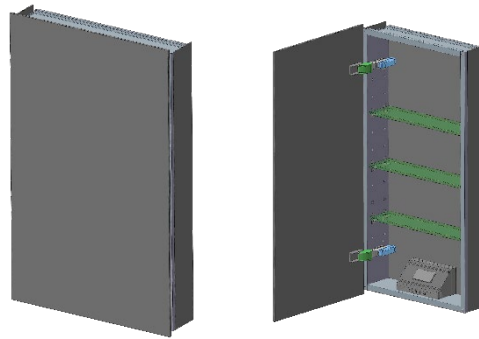


7626 Winston Street  
Burnaby, BC V5A 2H4  
CANADA

Phone: 604 415 2422  
Toll Free: 888 415 2422  
Fax: 604 415 2433

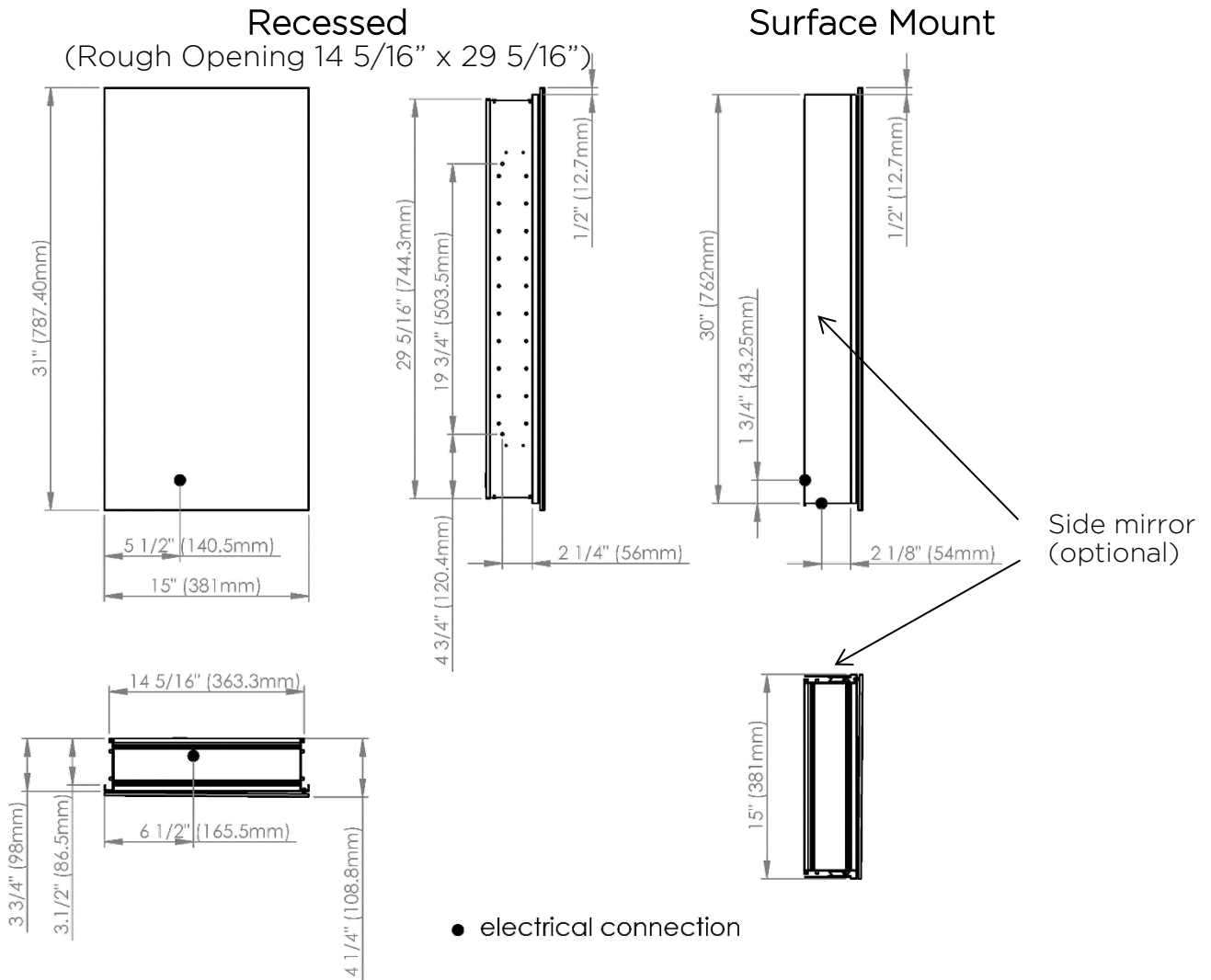
info@sidler-international.com  
www.sidler-international.com

Model#	10.15314.001
Model	1/15-1/4" x 31"



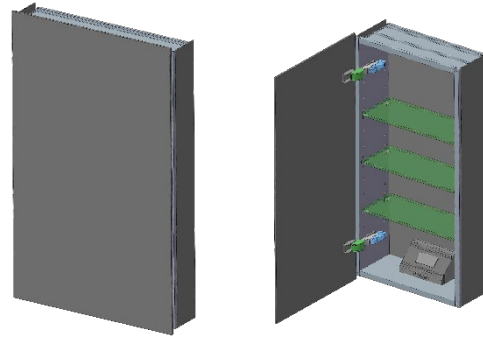
Including:

- Electrical Outlet
- Silverlasting™ double-sided mirror doors (left and right option)
- 3 Glass shelves
- Blum soft-close hinges
- Mirrored interior
- Anodized aluminum body



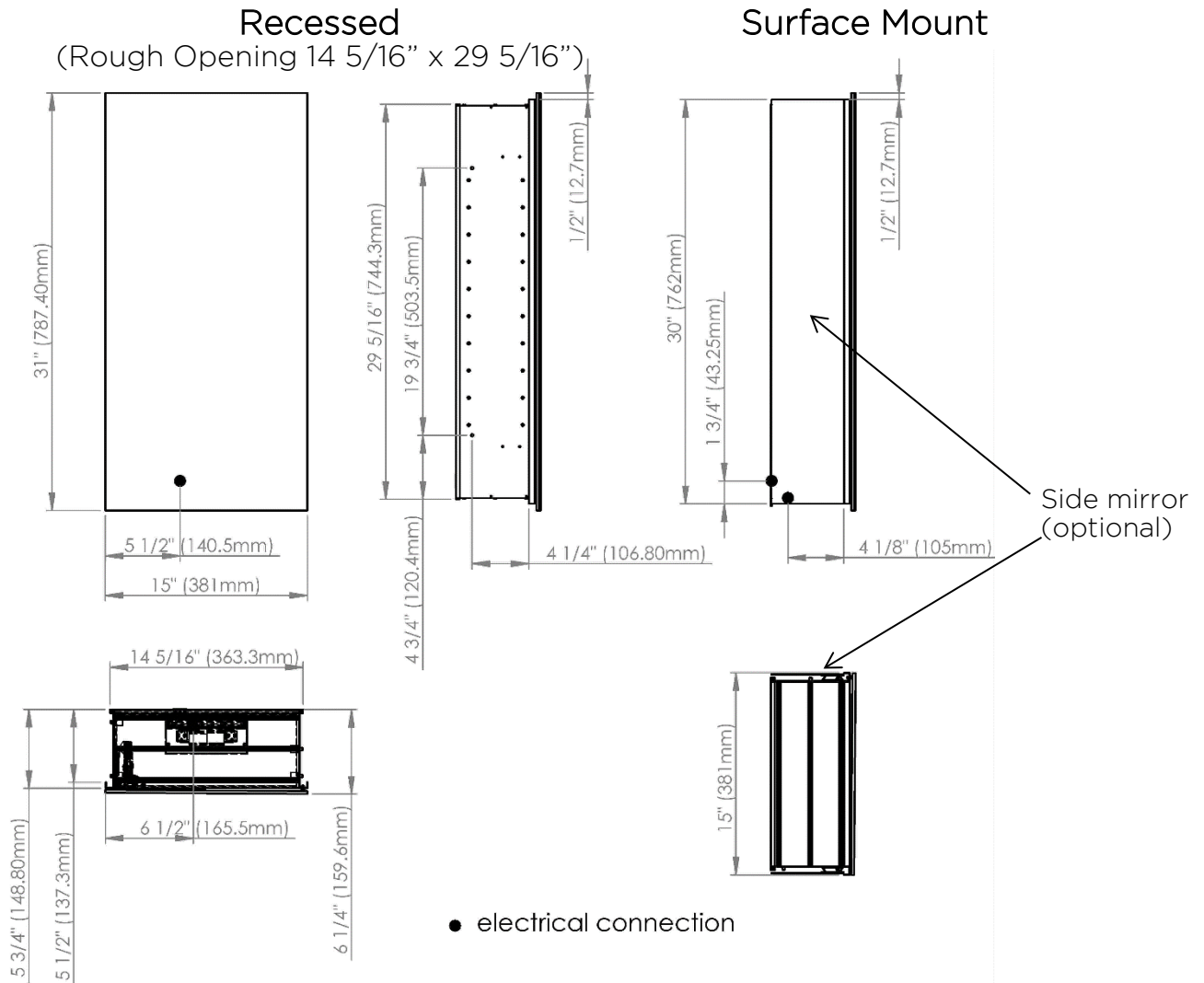
# SIDLER®

Model#	10.15316.001
Model	1/15-1/6" x 31"



## Including:

- Electrical Outlet
- Silverlasting™ double-sided mirror doors (left and right option)
- 3 Glass shelves
- Blum soft-close hinges
- Mirrored interior
- Anodized aluminum body



7626 Winston Street  
Burnaby, BC V5A 2H4  
CANADA

Phone: 604 415 2422  
Toll Free: 888 415 2422  
Fax: 604 415 2433

info@sidler-international.com  
www.sidler-international.com