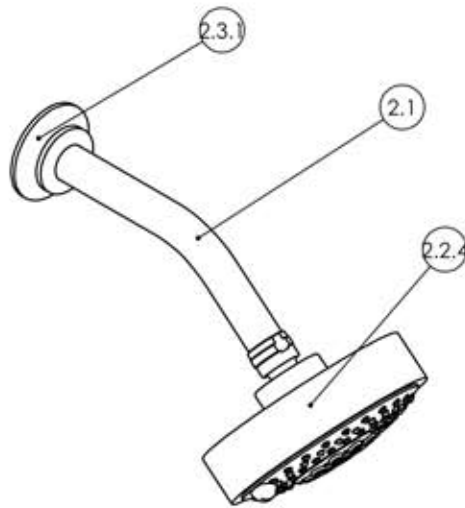
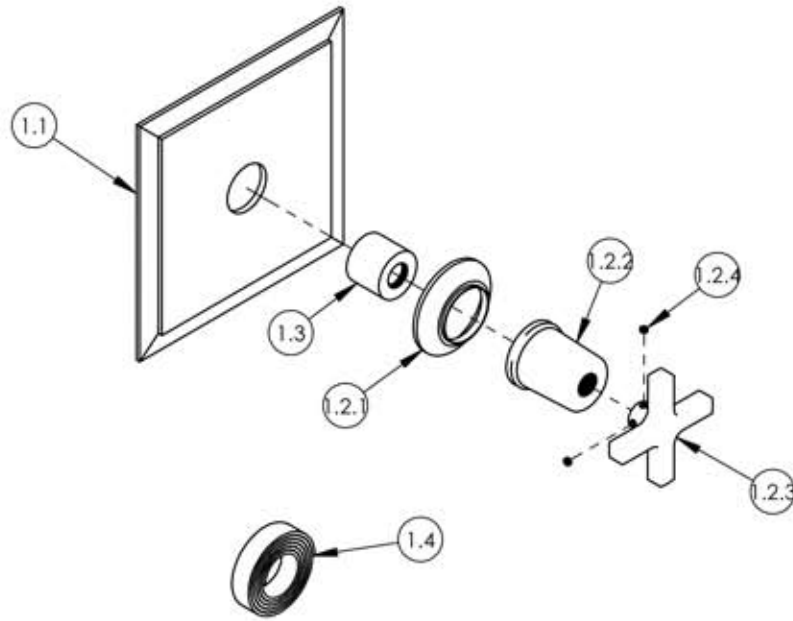


A



B

C



D

ITEM NO.	PART NUMBER	DESCRIPTION	QTY.
1	4-103/00	PB PLATE, CROSS HANDLE, HEX MODERN SERIES	1
1.1	11037	TRIM PLATE - BEVELED EDGES	1
1.2	3-132/00	CROSS HANDLE, HEX MODERN, 501 SERIES	1
1.2.1	10921/00	ESCUTCHEON, TRANSITIONAL	1
1.2.2	10922/00	HUB, FOR HEX TRANSITIONAL	1
1.2.3	10633/00	HANDLE CROSS, CONTEMPORARY 16PT	1
1.2.4	92163	SET SCREW, CONE PT 8-32 X 1/8"L	2
1.3	10986	CENTERING PLATE SLEEVE	1
1.4	90537	1/16" TAPE FOR WALL PLATE	1
2	4-141/00	SHOWER HEAD 8" ARM, 6 JET PLUNGER, HEX MODERN	1
2.1	P16008/00	SHOWER ARM (8 INCH)	1
2.2	3-371/00	SHOWER HEAD, MULTI-FUNCTION, COMTEMPORARY	1
2.2.1	P16044	MULTIFUNCTION SHOWER HEAD KIT	1
2.2.1.1	P16044_1	SPRAYER FACE	1
2.2.1.2	P16044_3	ROTATING SPRAYER SWITCH	1
2.2.1.3	P10644_8	WASHER	1
2.2.1.4	P16044_4	SECURING NUT	1
2.2.1.5		(TRUSS) HEAD SCREW No.8-#2 DRIVE 1/2" L	1
2.2.1.6	P16044_9	BALL JOINT O-RING	1
2.2.1.7	P16044_5	BALL WASHER	1
2.2.1.8	P16044_6	BUTTON HOUSING	1
2.2.1.9	P16044_7	BUTTON SPRING (Wire..375" Length..120" OD..016" Wire)	1
2.2.1.10	P16044_10	SECURING BRACE	1
2.2.1.11	P16044_2	SPRAYER FACE	1
2.2.1.12	91801A151	SCREW FLAT HEAD PHIL. M3X6MM L	4
2.2.1.13	91801A210	METRIC FLAT HEAD PHIL. M4X0.7 6MM L	2
2.2.2	P16034	FLOW RESTRICTOR 2.0GPM @ MAX	1
2.2.3	P16043/00	BALL FOR MULTIFUNCTION SHOWER HEAD	1
2.2.4	P16042/00	MULTIFUNCTION SHOWER HEAD	1
2.3	3-449/00	SHOWER FLANGE, HEX MODERN	1
2.3.1	11039/00	SHOWER FLANGE	1
2.3.2	90128	O-RING, 1-1/2ID X 1-11/16OD X 3/32THK., AS-568-128	1
2.3.3	90117	O-RING, 7/8"ID X 33/32"THK., AS-568-117	1

E

ALL	A	UPDATED WITH SUB ASSEMBLIES	11/4/2015	GRE
ZONE	REV.	DESCRIPTION	DATE	APPROVED
REVISIONS				

1261 LOGAN AVENUE
COSTA MESA, CALIFORNIA 92626
PHONE: 714.361.4800
FAX: 714.617.3120

PHYLIRICH®

Defining Luxury Since 1959

PROPRIETARY AND CONFIDENTIAL
THE INFORMATION CONTAINED IN THIS DRAWING IS THE SOLE PROPERTY OF RISS MANUFACTURING. ANY REPRODUCTION IN PART OR AS A WHOLE WITHOUT THE WRITTEN PERMISSION OF RISS MANUFACTURING IS PROHIBITED.

INTERPRET GEOMETRIC DIMENSIONING & TOLERANCING IN ACCORDANCE WITH ASME Y14.5-2009 & ASME Y14.41-2003 STANDARDS. UNLESS OTHERWISE SPECIFIED, DIMENSIONS ARE IN INCHES. TOLERANCES ARE:															
<table border="1"> <tr> <td>NEXT ASSY</td> <td>USED ON</td> </tr> <tr> <td colspan="2">APPLICATION</td> </tr> <tr> <td>MATERIAL</td> <td></td> </tr> <tr> <td>FINISH</td> <td></td> </tr> <tr> <td>DO NOT SCALE DRAWING</td> <td></td> </tr> </table>	NEXT ASSY	USED ON	APPLICATION		MATERIAL		FINISH		DO NOT SCALE DRAWING						
NEXT ASSY	USED ON														
APPLICATION															
MATERIAL															
FINISH															
DO NOT SCALE DRAWING															
<table border="1"> <tr> <th>FRACTIONS</th> <th>DECIMALS</th> <th>ANGULAR</th> </tr> <tr> <td>±1/64"</td> <td>X.X: ±.1 X.XX: ±.01 X.XXX: ±.005</td> <td>±5°</td> </tr> <tr> <td></td> <th>NAME</th> <th>DATE</th> </tr> <tr> <td></td> <td>LL0</td> <td>11/4/2015</td> </tr> <tr> <td></td> <th>CHECKED</th> <td>GRE</td> </tr> </table>	FRACTIONS	DECIMALS	ANGULAR	±1/64"	X.X: ±.1 X.XX: ±.01 X.XXX: ±.005	±5°		NAME	DATE		LL0	11/4/2015		CHECKED	GRE
FRACTIONS	DECIMALS	ANGULAR													
±1/64"	X.X: ±.1 X.XX: ±.01 X.XXX: ±.005	±5°													
	NAME	DATE													
	LL0	11/4/2015													
	CHECKED	GRE													

PRESSURE BALANCE SHOWER SET TRIM, CROSS HANDLE, HEX MODERN SERIES

SIZE	ASM/PRT NO.	REV
A	501-21	B
SCALE: 1:4	WEIGHT: lbs.	SHEET 1 OF 2

5

4

3

2

1