

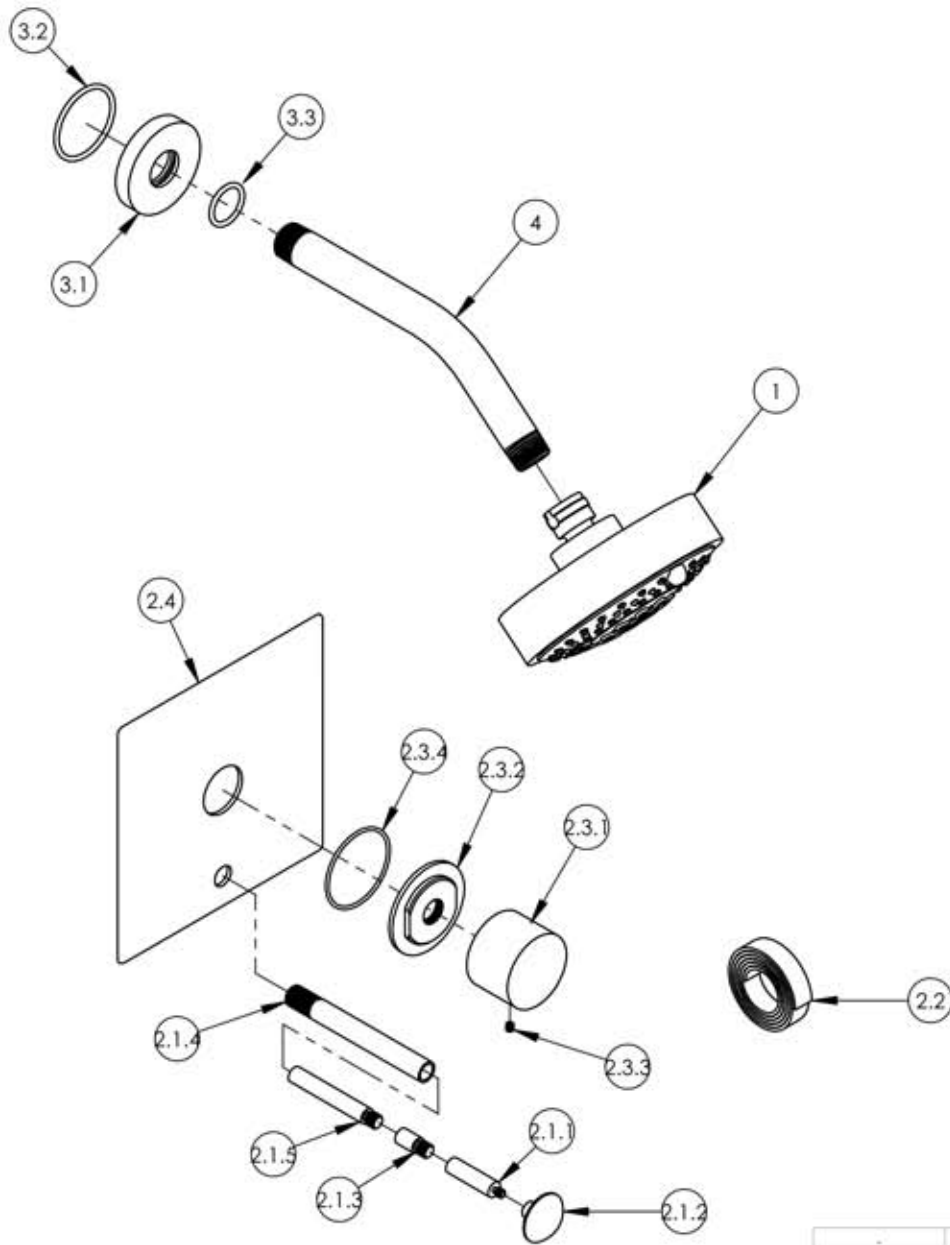
A

B

C

D

E



ITEM NO.	PART NUMBER	DESCRIPTION	QTY.
1	3-371/00	SHOWER HEAD, MULTI-FUNCTION, COMTEMPORARY	1
2	4-201/00	PRESSURE BALANCE SHOWER PLATE W/DIVERTER & HANDLE TRIM SET, SMOOTH HANDLE, BASIC II SERIES	1
2.1	3-125/00	EXTENSION ASSY FOR PB TUB & SHOWER SET	1
2.1.1	11008/00	DIVERTED STEM FOR PB PLATE	1
2.1.2	11006/00	PULL KNOB, DIVERTER, 10-24	1
2.1.3	11085/00	EXTENSION PIN FOR PB TUB & SHOWER SET	1
2.1.4	11009/00	EXTENSION SLEEVE FOR STEM, PB TUB & SHOWER SET	1
2.1.5	11007/00	EXTENSION PIN FOR PB TUB & SHOWER SET 1.25LONGER	1
2.2	90537	1/16" TAPE FOR WALL PLATE	1
2.3	3-386/00	SUB ASSY, SMOOTH HANDLE, BASIC II	1
2.3.1	10433/00	BASE HANDLE, CONTEMP. BASIC II	1
2.3.2	11164/00	ESCUTCHEON BASE, CONTEMP. BASIC II	1
2.3.3	92008	SET SCREW, CUP POINT 8-32	1
2.3.4	90031	O-RING, 1-3/4"ID X 1-7/8"OD X 1/16"THK, AS-568-031	1
2.4	10959/00	SHOWER TRIM PLATE W/ DIVERTER HOLE, MIX SERIES	1
3	811/00	SHOWER FLANGE, CONTEMPORARY, ROUND	1
3.1	P16019/00	BASE SHOWER FLANGE, BASIC SERIES	1
3.2	90129	O-RING, 1-9/16"ID X 3/32THK, AS-568-129	1
3.3	90117	O-RING, 7/8"ID X 33/32"THK., AS-568-117	1
4	P16008/00	SHOWER ARM (8 INCH)	1

ZONE	REV.	DESCRIPTION	DATE	APPROVED
REVISIONS				

1261 LOGAN AVENUE COSTA MESA, CALIFORNIA 92626 PHONE: 714.361.4800 FAX: 714.617.3120		<b>PHYLIRICH®</b> Defining Luxury Since 1959		<b>PROPRIETARY AND CONFIDENTIAL</b> THE INFORMATION CONTAINED IN THIS DRAWING IS THE SOLE PROPERTY OF RSS MANUFACTURING. ANY REPRODUCTION IN PART OR AS A WHOLE WITHOUT THE WRITTEN PERMISSION OF RSS MANUFACTURING IS PROHIBITED.	
---	--	---	--	---	--

-		-		INTERPRET GEOMETRIC DIMENSIONING & TOLERANCING IN ACCORDANCE WITH ASME Y14.5-2009 & ASME Y14.41-2003 STANDARDS. UNLESS OTHERWISE SPECIFIED, DIMENSIONS ARE IN INCHES. TOLERANCES ARE:	
NEXT ASSY		USED ON		FRACTIONS ±1/64"	DECIMALS X.X: ±.1 X.XX: ±.01 X.XXX: ±.005
APPLICATION		NAME		ANGULAR ±5°	
MATERIAL		DATE		DRAWN	
FINISH		FME		11/11/2015	
DO NOT SCALE DRAWING		CHECKED		LLO	

**PRESSURE BALANCE SHOWER & DIVERTER SET, SMOOTH HANDLE, BASIC II SERIES**

SIZE	ASM/PRT NO.	REV
<b>A</b>	4-193/00	-
SCALE: 1:4	WEIGHT: lbs.	SHEET 1 OF 2

5

4

3

2

1