

5

4

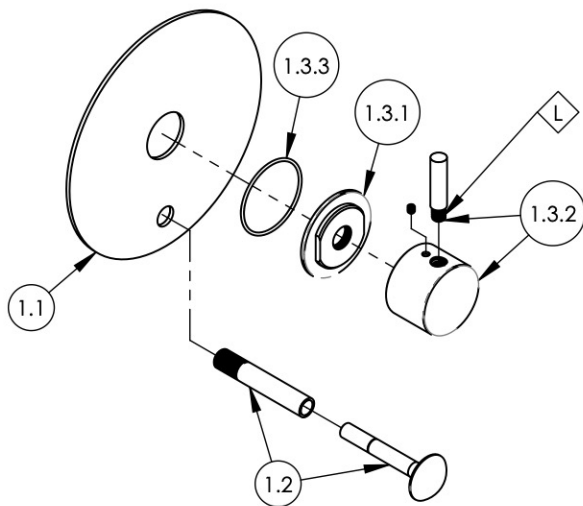
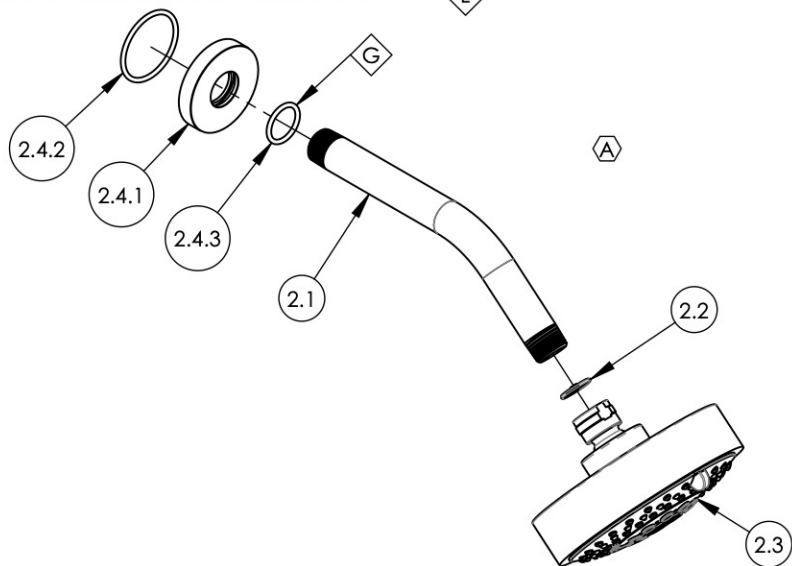
3

2

1

NOTE(S):

- 1. APPLY NSF COMPLIANT GREASE TO ANY O-RING, SEALING JOINTS, AND/OR PIVOTAL POINTS. G
- 2. APPLY NSF COMPLIANT LOCTITE TO THREADED AREA. L



| ITEM NO. | PART NUMBER | DESCRIPTION | QTY. |
|----------|-------------|---|------|
| 1 | 4-199/00 | PRESSURE BALANCE SHOWER PLATE W/DIVERTER & HANDLE TRIM SET, LEVER HANDLE, BASIC II SERIES | 1 |
| 1.1 | 10445/00 | TRIM PLATE 6" ROUND W/ DIVERTER HOLE, BASIC II | 1 |
| 1.2 | 3-125/00 | EXTENSION ASSY FOR PB TUB & SHOWER SET | 1 |
| 1.3 | 3-339/00 | SUB ASSY. LEVER HANDLE, BASIC II | 1 |
| 1.3.1 | 11164/00 | ESCUTCHEON BASE, CONTEMP. BASIC II | 1 |
| 1.3.2 | 2-249/00 | HANDLE LEVER, BASIC II | 1 |
| 1.3.3 | 90031 | O-RING, 1-3/4"ID X 1/16"THK, AS-568-031 | 1 |
| 2 | 4-570/00 | CONTEMPORARY MULTI. SHOWER HEAD W/ FLANGE, ROND | 1 |
| 2.1 | P16008/00 | SHOWER ARM (8 INCH) | 1 |
| 2.2 | 11432 | 1.75 GPM FLOW REGULATOR | 1 |
| 2.3 | 3-454/00 | SHOWER HEAD MULTI. FUNC. CONTEMP. | 1 |
| 2.4 | 3-700/00 | ESCUTCHEON FLANGE, SHOWER ARM, CONTEMPORARY, ROUND | 1 |
| 2.4.1 | P16019/00 | BASE SHOWER FLANGE, BASIC SERIES | 1 |
| 2.4.2 | 90129 | O-RING, 1-9/16"ID X 3/32THK, AS-568-129 | 1 |
| 2.4.3 | 90117 | O-RING, 7/8"ID X 33/32"THK., AS-568-117 | 1 |

| ALL | A | UPDATE TEMPLATE, ADD SHOWER ASSY, REMOVE TAPE, ADD CALL OUTS | 5/4/2020 | AMM |
|-----------|------|--|----------|----------|
| ZONE | REV. | DESCRIPTION | DATE | APPROVED |
| REVISIONS | | | | |

1261 LOGAN AVENUE
COSTA MESA, CALIFORNIA 92626
PHONE: 714.361.4800
FAX: 714.617.3120

PHYLIRICH[®]
Defining Luxury Since 1959

PROPRIETARY AND CONFIDENTIAL
THE INFORMATION CONTAINED IN THIS DRAWING IS THE SOLE PROPERTY OF PHYLIRICH. ANY REPRODUCTION IN PART OR AS A WHOLE WITHOUT THE WRITTEN PERMISSION OF PHYLIRICH IS PROHIBITED.

| | | | | |
|----------------------|---------|---|--|----------------|
| - | - | INTERPRET GEOMETRIC DIMENSIONING & TOLERANCING IN ACCORDANCE WITH ASME Y14.5-2009 & ASME Y14.41-2003 STANDARDS, UNLESS OTHERWISE SPECIFIED. DIMENSIONS ARE IN INCHES. TOLERANCES ARE: | | |
| NEXT ASSY | USED ON | FRACTIONS ±1/16" | DECIMALS X.X: ±.1 X.XX: ±.01 X.XXX: ±.005 | ANGULAR ±2° |
| APPLICATION | | MATERIAL | NAME | DATE |
| FINISH | | DRAWN | FME | 11/10/2015 |
| DO NOT SCALE DRAWING | | CHECKED | LLO | |

PRESSURE BALANCE SHOWER & DIVERTER SET, LEVER HANDLE, BASIC II SERIES

| | | |
|---------------|--------------|--------------|
| SIZE | ASM/PRT NO. | REV |
| A | 4-191/00 | A |
| SCALE: 1:4.25 | WEIGHT: lbs. | SHEET 1 OF 2 |

5

4

3

2

1