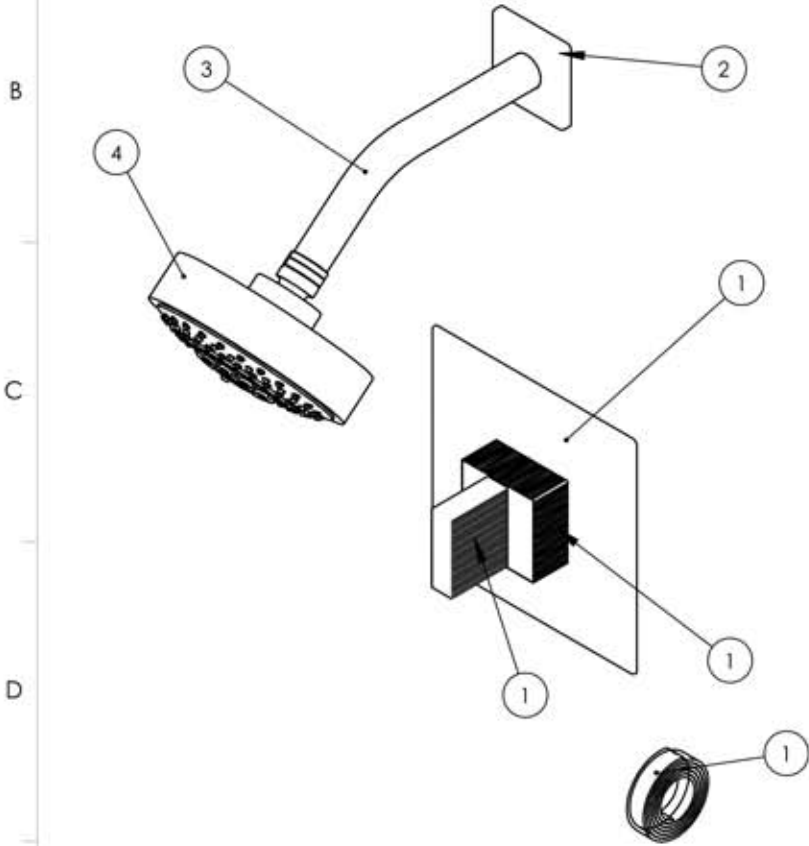


ITEM NO.	PART NUMBER	DESCRIPTION	QTY.
1	4-122/00	PB PLATE, BLADE HANDLE, STRIA SERIES	1
	10958/00	PLATE, SHOWER TRIM MIX SERIES	1
	11004	SLEEVE MOUNT, WALL SHOWER	1
	90029	O-RING, 1-5/8"ID X 1-3/4"OD X 1/16"THK, AS-568-029	1
	3-128/00	PB SHOWER SET, BLADE EDGE SERIES	1
	10963/00	HUB FOR SHOWER, EDGE SERIES	1
	10927/00	HANDLE, BLADE EDGE SERIES	1

ITEM NO.	PART NUMBER	DESCRIPTION	QTY.
	92176	WEAR WASHER	2
	92005	SET SCREW, CUP PT 6-32UNC THREAD 3/16"L	1
	92177	RETAINING RING, 7/16" SHAFT	1
	90537	1/16" TAPE FOR WALL PLATE	1
2	10935/00	ESCUTCHEON, SHOWER FLANGE MIX SERIES	1
3	P16008/00	SHOWER ARM (8 INCH)	1
4	809/00	SHOWER HEAD, MULTI-FUNCTION, COMTEMPORARY	1
	3-371/00	SHOWER HEAD, MULTI-FUNCTION, COMTEMPORARY	1
	P16044	MULTIFUNCTION SHOWER HEAD KIT	1
	P16044_1	SPRAYER FACE	1
	P16044_3	ROTATING SPRAYER SWITCH	1
	P10644_8	WASHER	1
	P16044_4	SECURING NUT	1
		(TRUSS) HEAD SCREW No.8-#2 DRIVE 1/2" L	1
	P16044_9	BALL JOINT O-RING	1
	P16044_5	BALL WASHER	1
	P16044_6	BUTTON HOUSING	1
	P16044_7	BUTTON SPRING (Wire..375" Length,.120" OD,.016" Wire)	1
	P16044_10	SECURING BRACE	1
	P16044_2	SPRAYER FACE	1
	91801A151	SCREW FLAT HEAD PHIL. M3X6MM L	4
	91801A210	METRIC FLAT HEAD PHIL. M4X0.7 6MM L	2
	P16034	FLOW RESTRICTOR 2.0GPM @ MAX	1
	P16043/00	BALL FOR MULTIFUNCTION SHOWER HEAD	1
	P16042/00	MULTIFUNCTION SHOWER HEAD	1



B5	A	ADD 6 JET PLUNGER SHOWER HEAD	12-20-13	
ZONE	REV.	DESCRIPTION	DATE	APPROVED

REVISIONS				

1261 LOGAN AVENUE  
COSTA MESA, CALIFORNIA 92626  
PHONE: 714.361.4800  
FAX: 714.617.3120

# PHYLIRICH®

Defining Luxury Since 1959

**PROPRIETARY AND CONFIDENTIAL**  
THE INFORMATION CONTAINED IN THIS DRAWING IS THE SOLE PROPERTY OF RISS MANUFACTURING. ANY REPRODUCTION IN PART OR AS A WHOLE WITHOUT THE WRITTEN PERMISSION OF RISS MANUFACTURING IS PROHIBITED.

-	-	INTERPRET GEOMETRIC DIMENSIONING & TOLERANCING IN ACCORDANCE WITH ASME Y14.5-2009 & ASME Y14.41-2003 STANDARDS, UNLESS OTHERWISE SPECIFIED. DIMENSIONS ARE IN INCHES. TOLERANCES ARE:		
NEXT ASSY	USED ON	FRACTIONS ±1/64"	DECIMALS X.X: ±.1 X.XX: ±.01 X.XXX: ±.005	ANGULAR ±.5°
APPLICATION		MATERIAL	NAME	DATE
FINISH		DRAWN	6/4/2013	
DO NOT SCALE DRAWING		CHECKED		

**PB SHOWER SET TRIM, BLADE HANDLE, STRIA SERIES**

SIZE	ASM/PRT NO.	REV
<b>A</b>	291-21/00	A
SCALE: 1:8	WEIGHT: lbs.	SHEET 1 OF 2