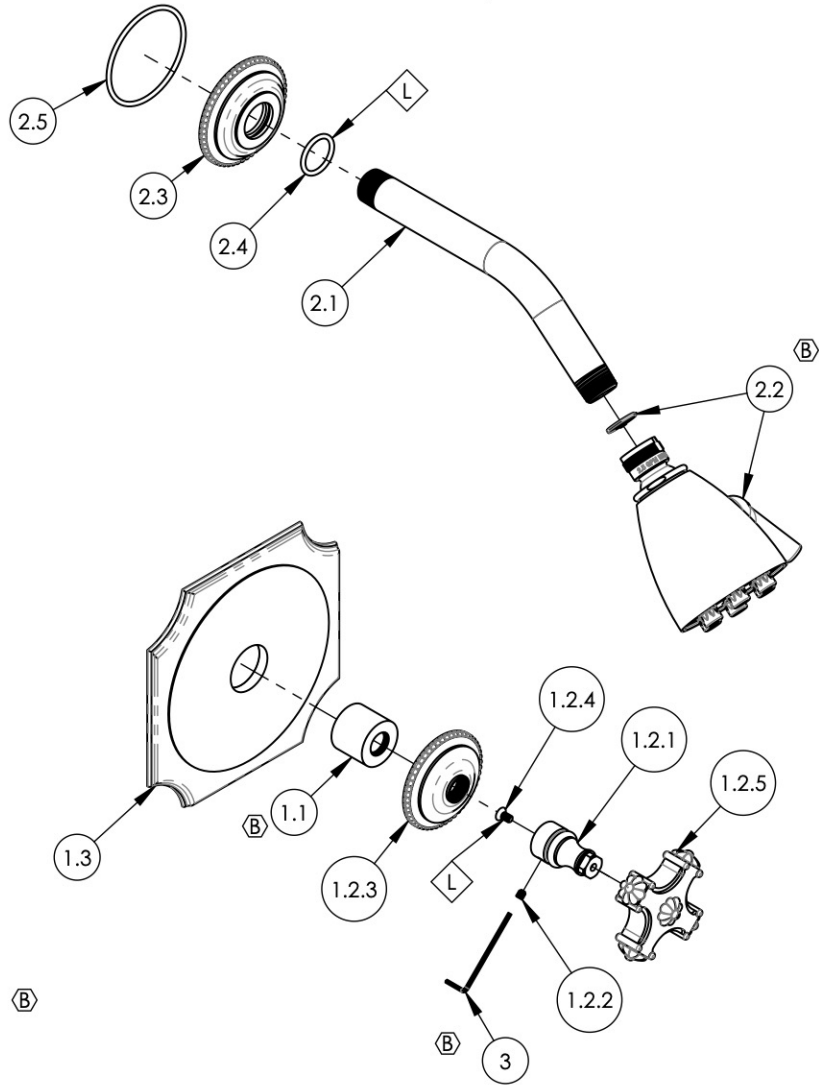


- NOTE(S):
1. APPLY NSF COMPLIANT GREASE TO ANY O-RING, SEALING JOINTS, AND/OR PIVOTAL POINTS. G
 2. APPLY NSF COMPLIANT LOCTITE TO THREADED AREA. L



ITEM NO.	PART NUMBER	DESCRIPTION	QTY.
1	4-475/00	1/2" MINI THERMOSTATIC SHOWER TRIM, CROSS HANDLE, MARVELLE	1
1.1	11087	SLEEVE FOR PB-THERM PLATE	1
1.2	3-029/00	CROSS HANDLE, MARVELLE SERIES	1
1.2.1	10542/00	BASE HANDLE, CROSS MARVELLE	1
1.2.2	92008	SET SCREW, CUP POINT 8-32, 3/16" L.	2
1.2.3	10540/00	ESCUTCHEON, MARVELLE SERIES	1
1.2.4	92146	SCREW, FLAT HD. 8-32 x 5/16" L	1
1.2.5	2-114/00	SUB-ASSY. HANDLE CROSS, MARVELLE SERIES	1
1.3	10515/00	TRIM PLATE, FRENCH TRAD. PB/THERMO	1
2	4-509/00	SHOWER HEAD 8" ARM, 6 JET PLUNGER, MARVELLE	1
2.1	P16008/00	SHOWER ARM (8 INCH)	1
2.2	3-018/00	SHOWERHEAD SIX JET	1
2.3	11313/00	ESCUTCHEON, SPOUT, WALL LAV, MARVELLE	1
2.4	90117	O-RING, 7/8"ID X 33/32"THK., AS-568-117	1
2.5	90140	O-RING, 2-1/4ID X 3/32THK., AS-568-140	1
3	P39001	HEX KEY 5/64, FOR 8-32 SET SCREW	1

ALL	B	UPDATE TEMPLATE, SHOWERHEAD, HEX KEY, SLEEVE MNT, REMOVE TAPE, ADD CALL OUTS	7/28/2020	AMM
ZONE	REV.	DESCRIPTION	DATE	APPROVED
REVISIONS				

1261 LOGAN AVENUE
COSTA MESA, CALIFORNIA 92626
PHONE: 714.361.4800
FAX: 714.617.3120

PHYLIRICH[®]
Defining Luxury Since 1959

PROPRIETARY AND CONFIDENTIAL
THE INFORMATION CONTAINED IN THIS DRAWING IS THE SOLE PROPERTY OF PHYLIRICH. ANY REPRODUCTION IN PART OR AS A WHOLE WITHOUT THE WRITTEN PERMISSION OF PHYLIRICH IS PROHIBITED.

-	-	INTERPRET GEOMETRIC DIMENSIONING & TOLERANCING IN ACCORDANCE WITH ASME Y14.5-2009 & ASME Y14.41-2003 STANDARDS, UNLESS OTHERWISE SPECIFIED. DIMENSIONS ARE IN INCHES. TOLERANCES ARE:		
NEXT ASSY	USED ON	FRACTIONS ±1/16"	DECIMALS X.X: ±.1 X.XX: ±.01 X.XXX: ±.005	ANGULAR ±2°
APPLICATION		MATERIAL	NAME	DATE
FINISH		DRAWN	LLO	10/15/2015
DO NOT SCALE DRAWING		CHECKED	GRE	

PRESSURE BALANCE SHOWER SET, CROSS HANDLE, MARVELLE

SIZE **A** ASM/PRT NO. **162-21/00** REV **B**

SCALE: 1:4.25 WEIGHT: lbs. SHEET 1 OF 2