



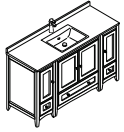
# FVN20-123012

# OXFORD

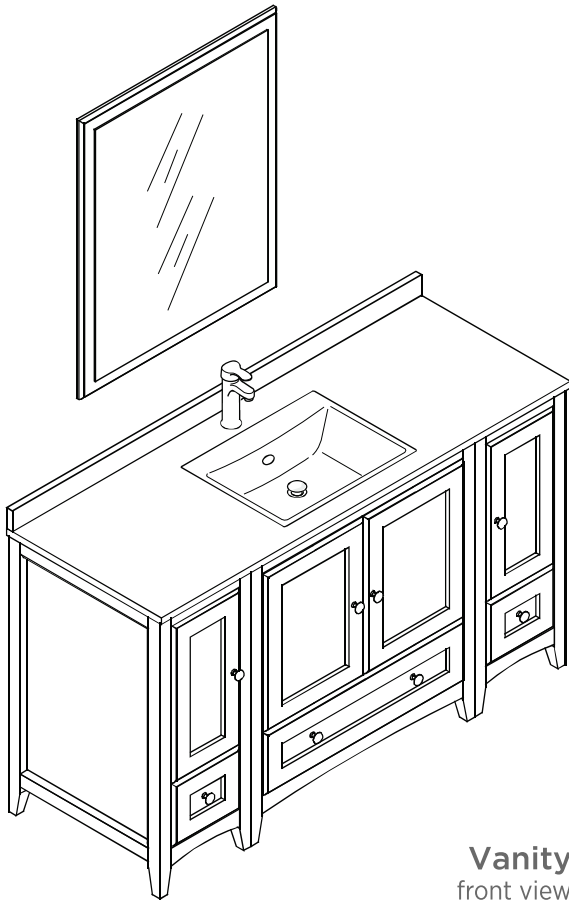
## INSTALLATION GUIDE

### CONTENTS:

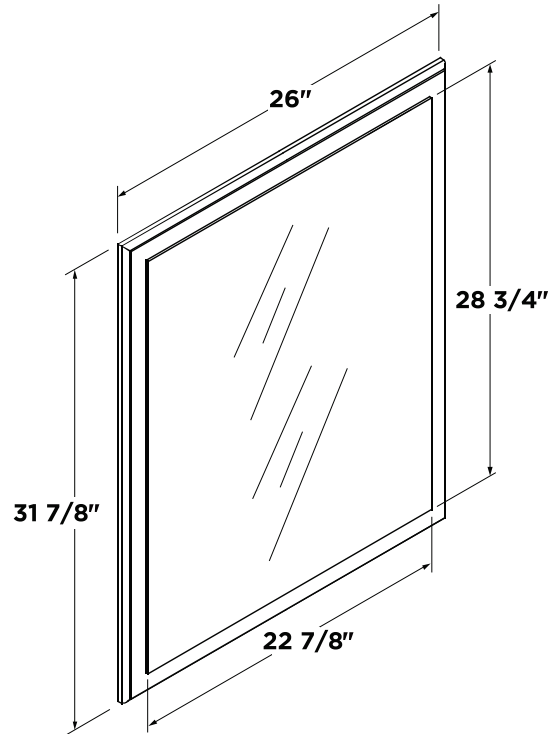
Cabinet.....	(FCB20-123012).....	PAGE 4
Sink.....	(FVS2017).....	PAGE 5
Mirror.....	(FMR2030).....	PAGE 3
Countertop.....	(FCT2054).....	PAGE 6



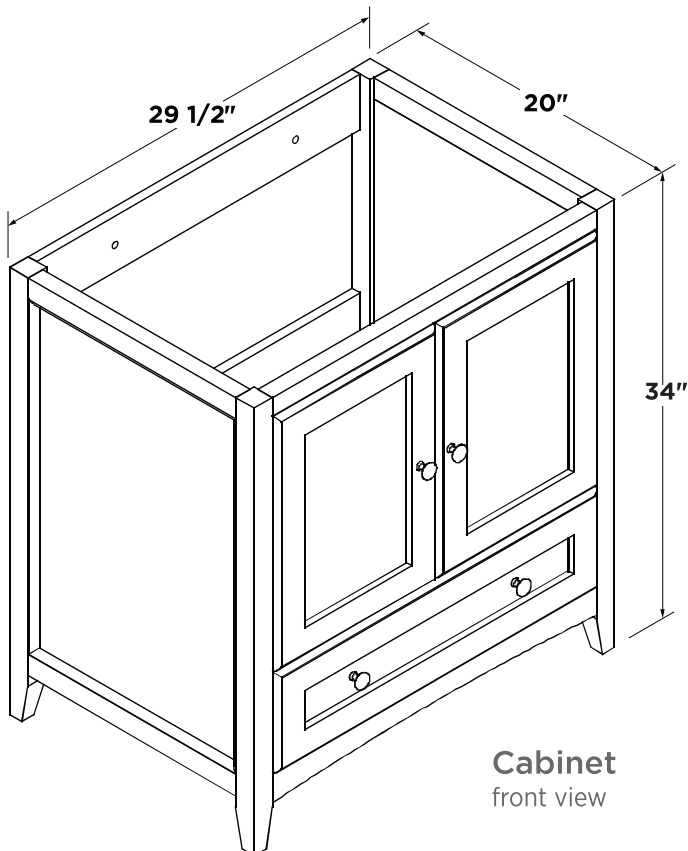
**FVN20-123012**  
**OXFORD**  
**INSTALLATION GUIDE**



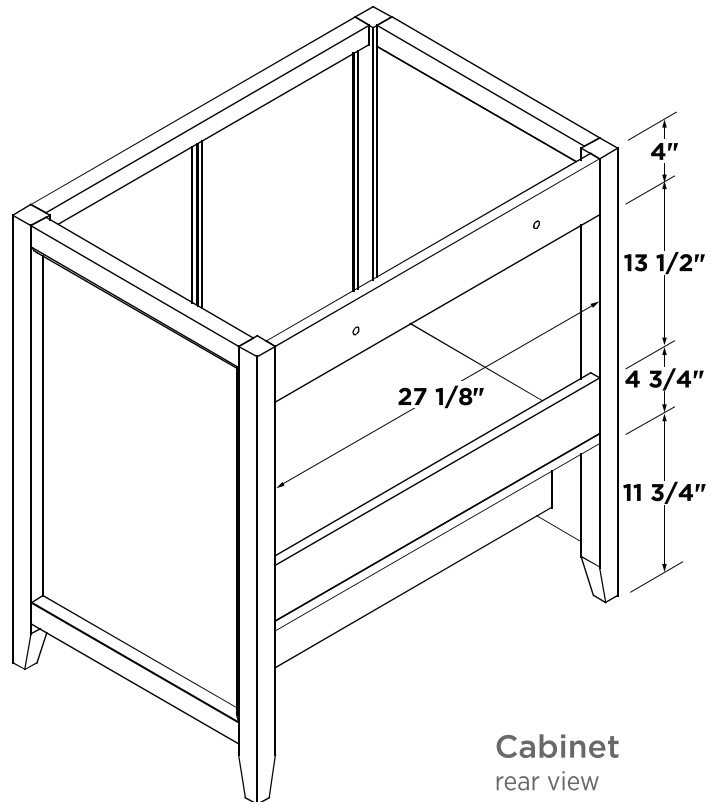
**Vanity**  
front view



**Mirror**  
front view



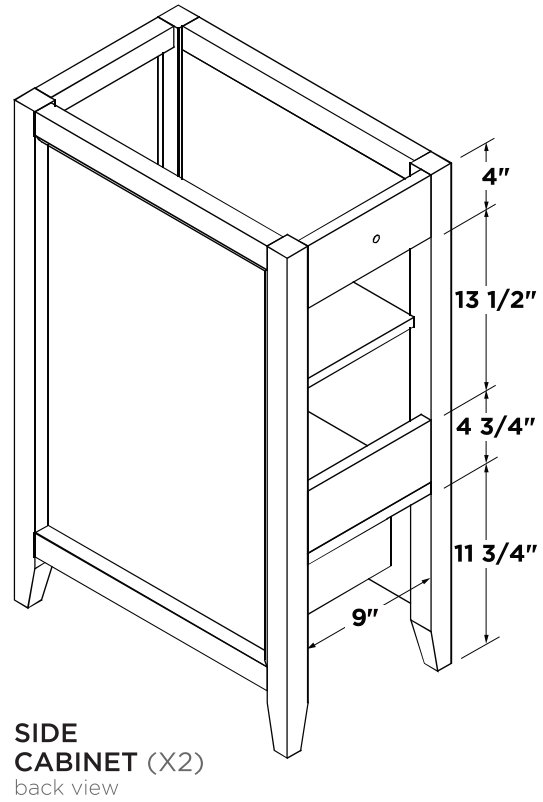
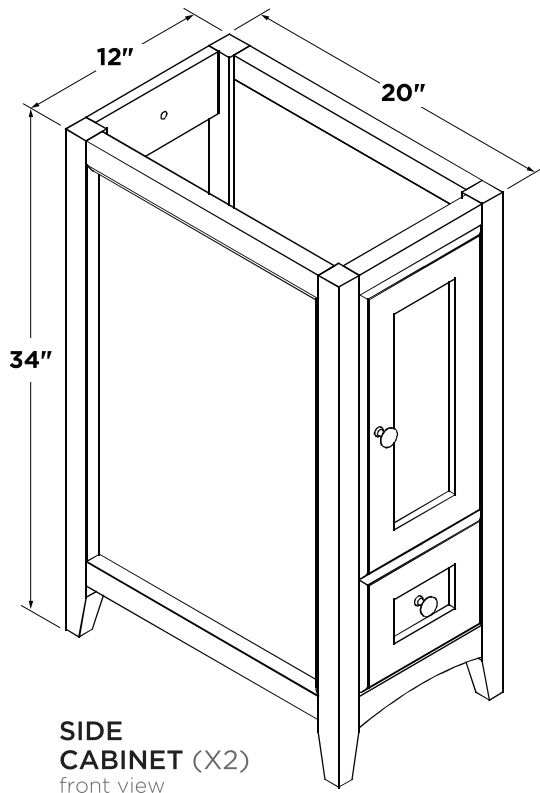
**Cabinet**  
front view



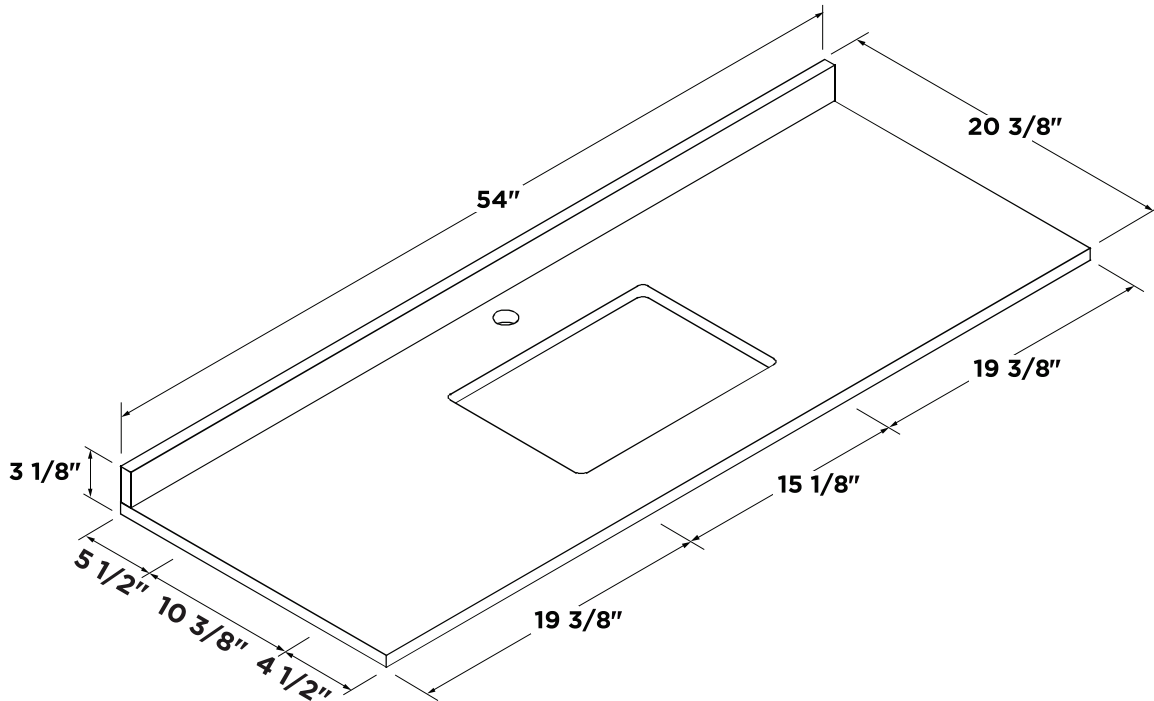
**Cabinet**  
rear view

**NOTE:** ALL DIMENSIONS & SPECIFICATIONS ARE APPROXIMATE AND SUBJECT TO CHANGE WITHOUT NOTICE.

## SIDE CABINET DIMENSIONS

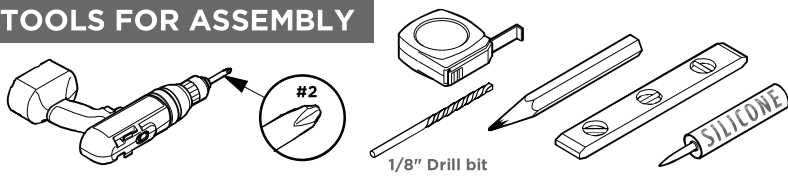


## COUNTERTOP DIMENSIONS



**NOTE:** ALL DIMENSIONS & SPECIFICATIONS ARE APPROXIMATE AND SUBJECT TO CHANGE WITHOUT NOTICE.

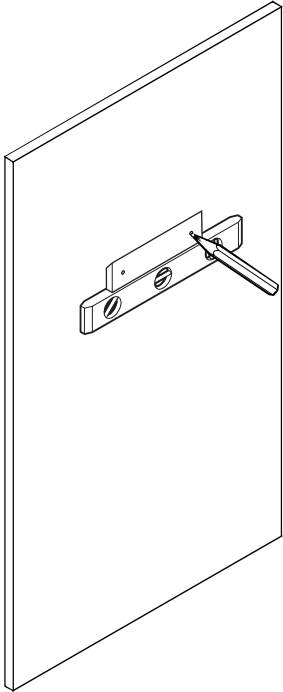
## TOOLS FOR ASSEMBLY



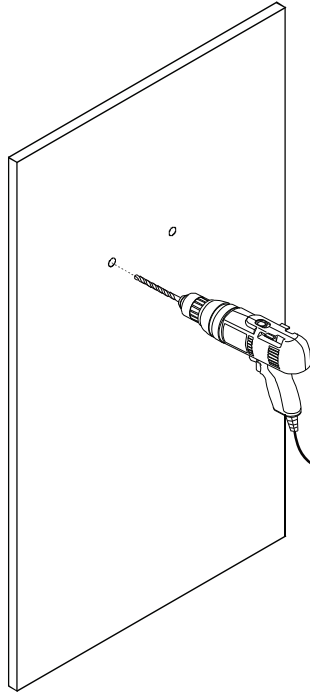
## MIRROR INSTALLATION

**\*NOTE:**  
Only use anchors  
if stud is not available.

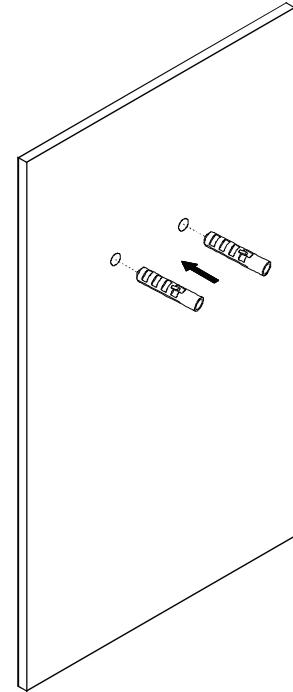
- 1** Level the mirror bracket and then mark the installation position



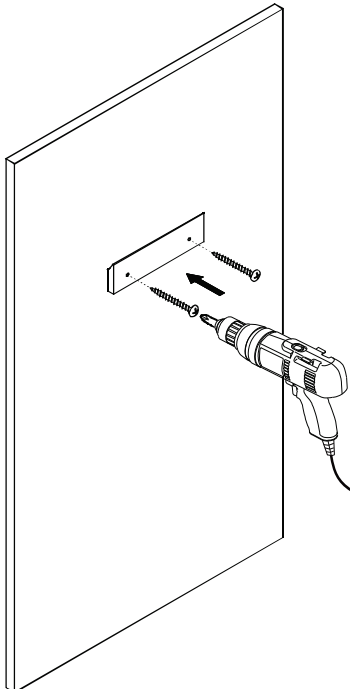
- 2** Drill the holes



- 3** Insert the anchors inside the holes

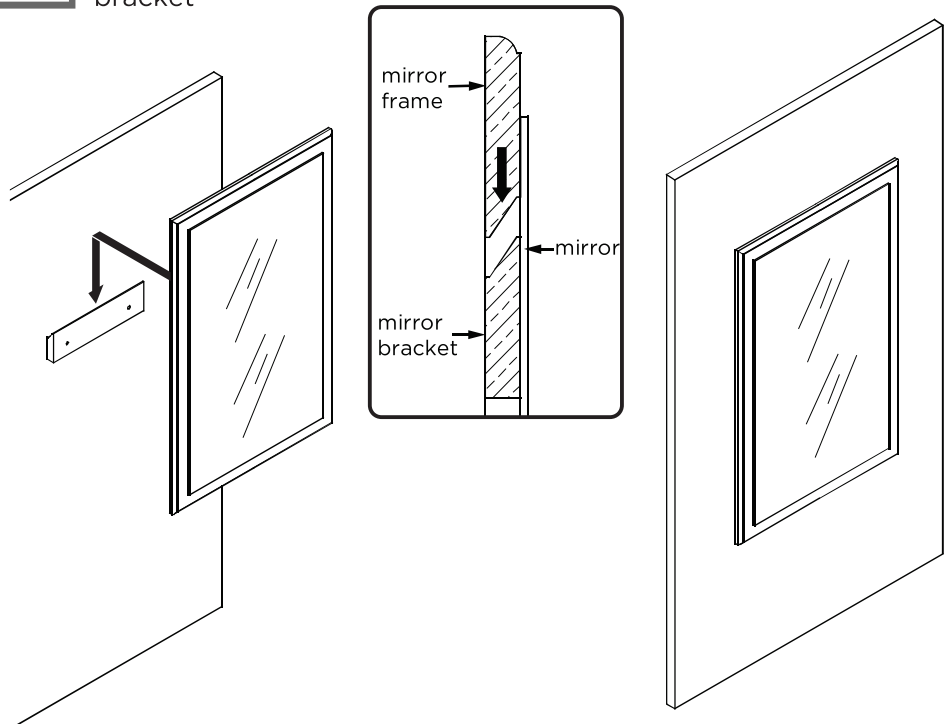


- 4** Attach the bracket to the wall with the screws



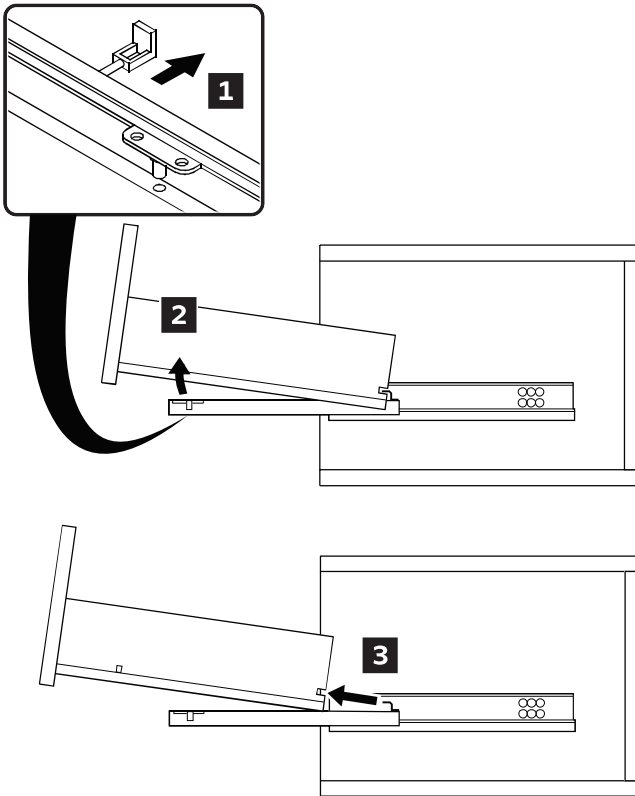
**NOTE:** Consult an expert for the proper screws/bolts to use when attaching to various constructions. Screws provided do not attach to all wall construction types.

- 5** Hang the mirror on the bracket

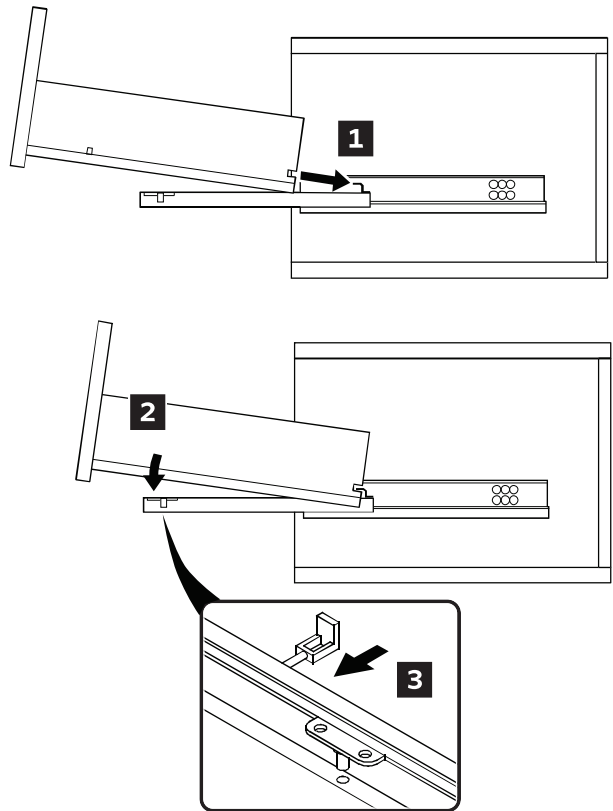


# DRAWER REMOVAL & INSTALLATION

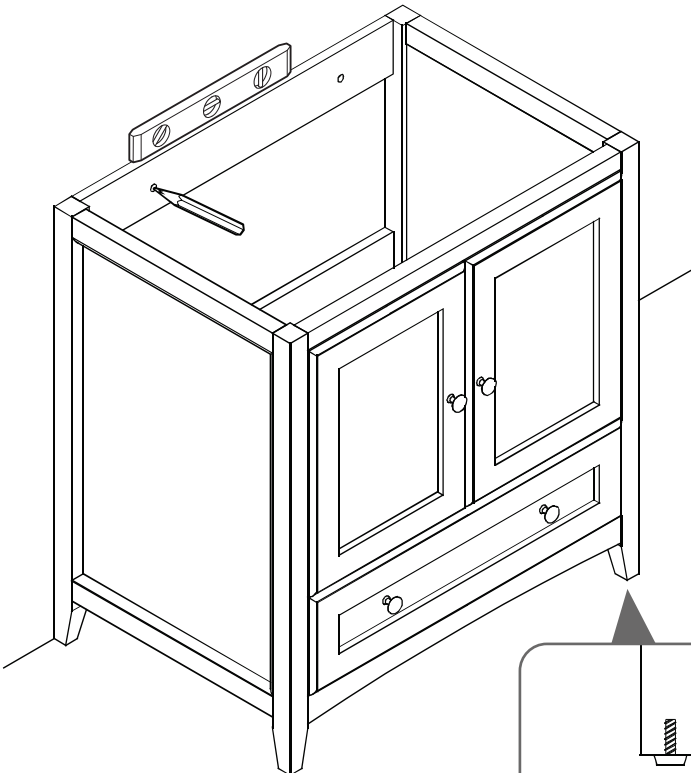
## REMOVAL



## INSTALLATION

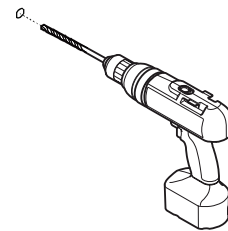


**1** Level the cabinet and mark position for the installation.



To ensure stability, cabinet's height can be regulated by turning the glide clockwise or counterclockwise.  
*(Optional Step)*

**2** Drill the holes previously marked.



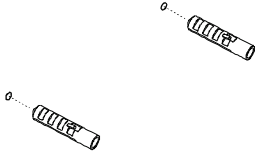
☞ Consult an expert for the proper screws/bolts to use when attaching to various wall constructions. Screws provided **do not attach** to all wall construction types.

**3**

\*Insert the anchors into the holes

**\*NOTE:**

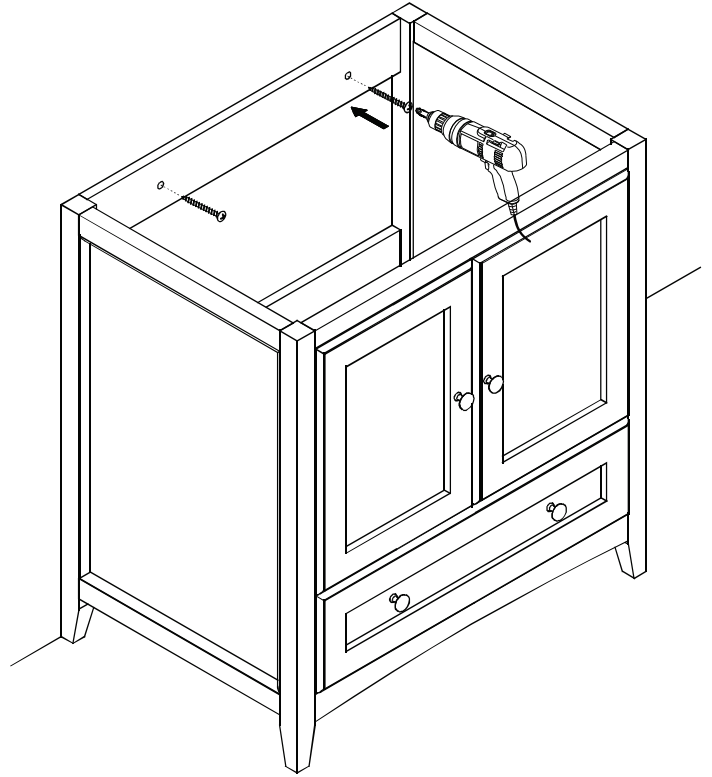
Only use anchors if stud is not available.



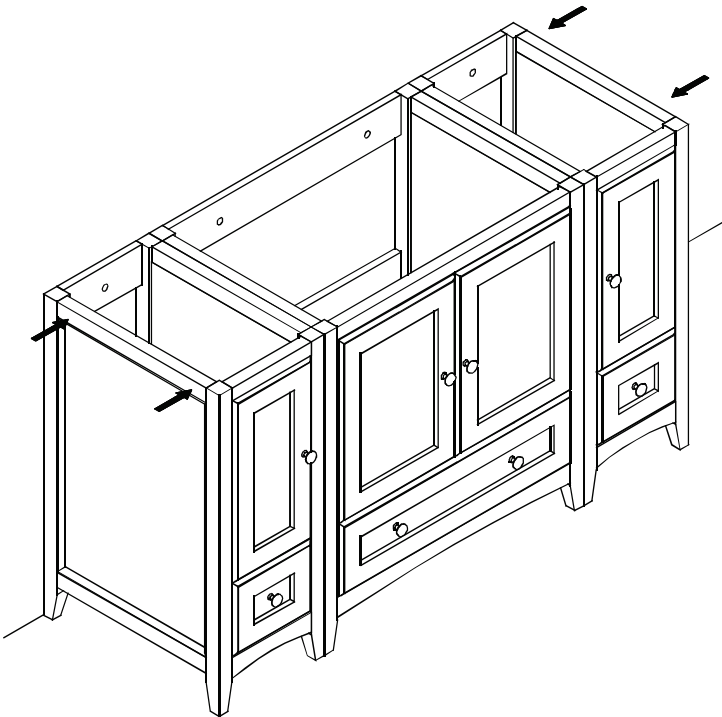
☞ Consult an expert for the proper screws/bolts to use when attaching to various wall constructions. Screws provided **do not attach** to all wall construction types.

**4**

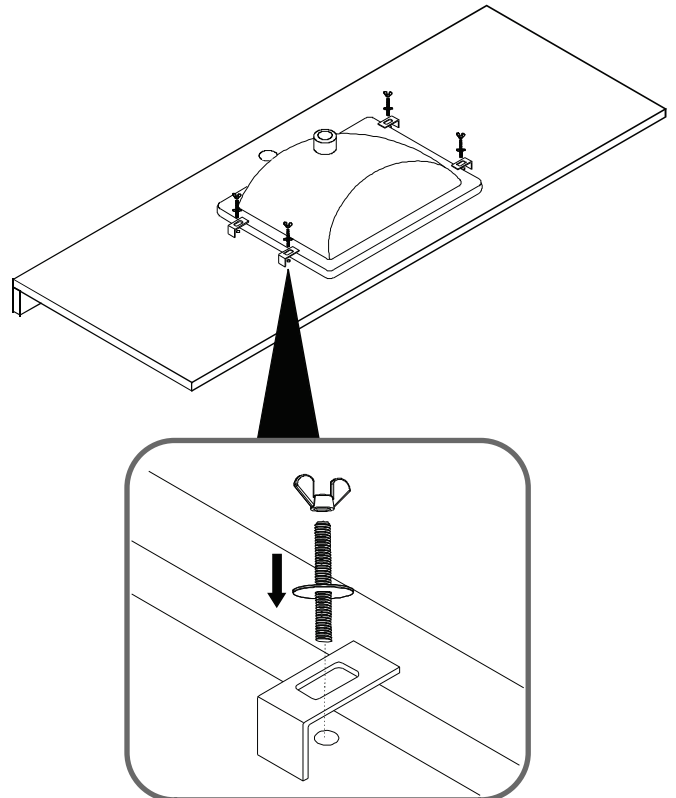
Connect the cabinet to the wall using screws

**5**

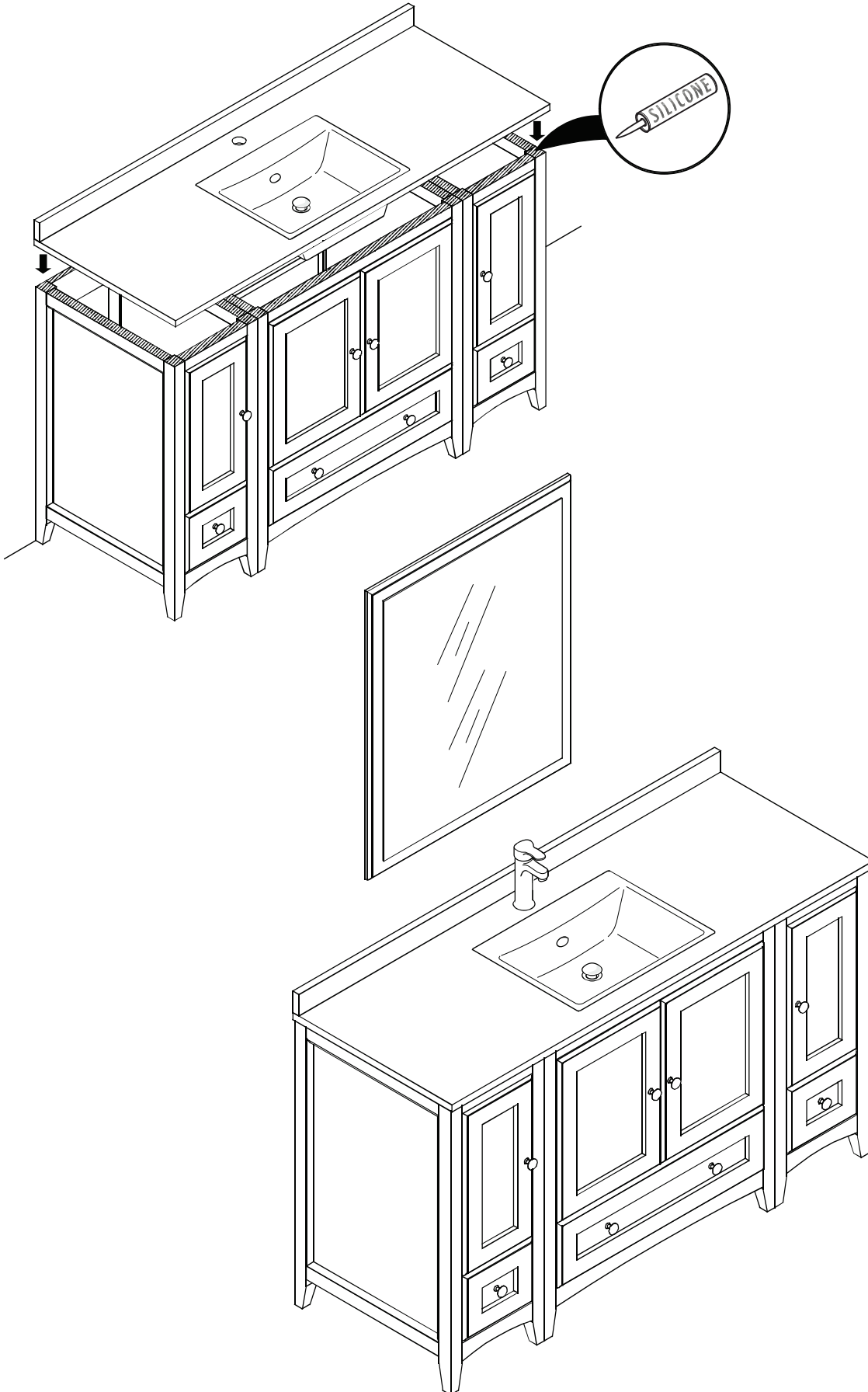
Make sure that both cabinets are aligned and securely installed.

**6**

Flip the countertop upside down and attach the sink to it using a provided brackets &amp; screws.

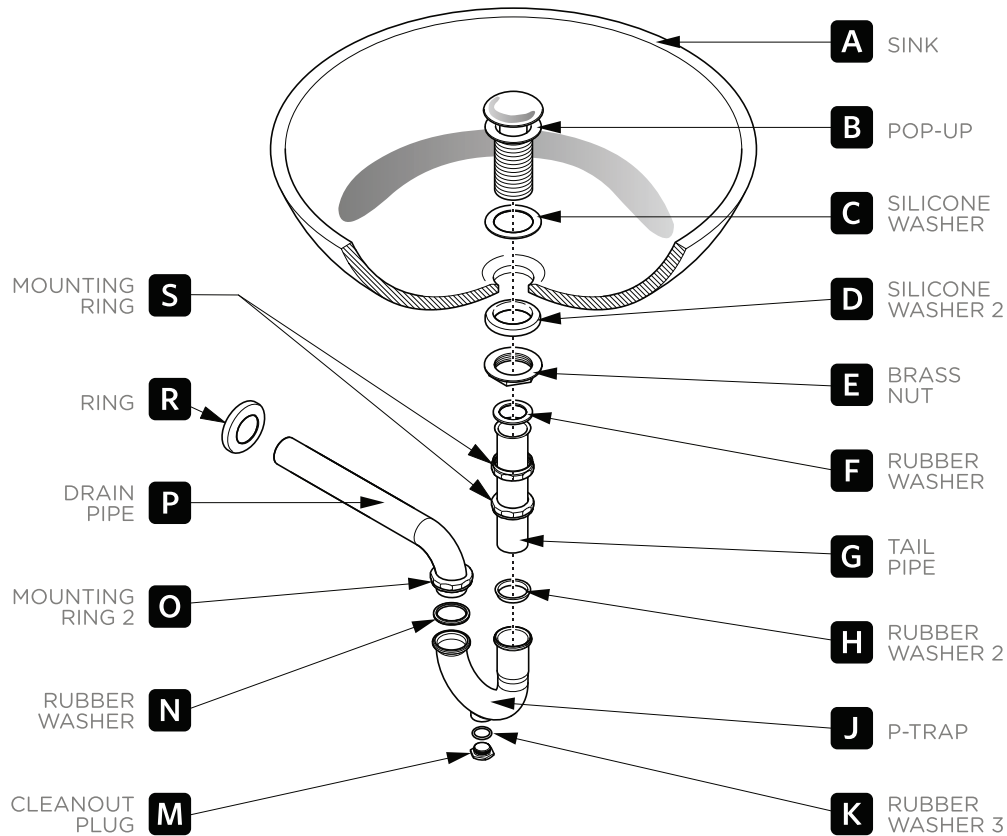


- 7** Apply silicone to the top of the cabinet and place the countertop with sink attached on it.



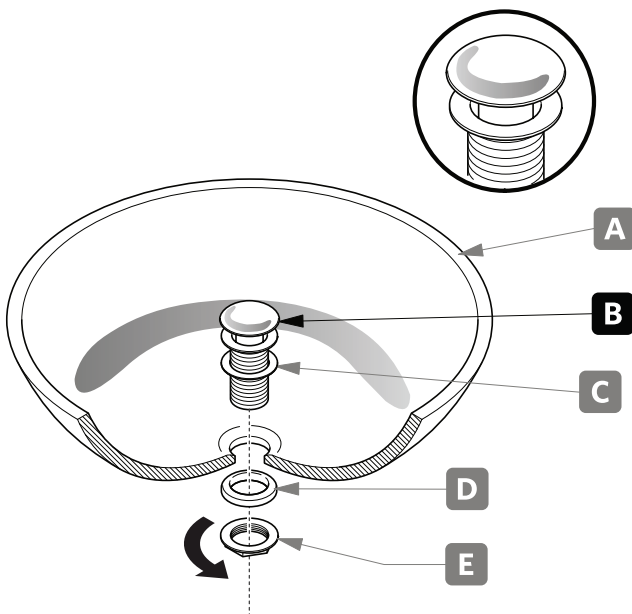
# P-TRAP & POP-UP INSTALLATION INSTRUCTIONS

Your item may appear slightly different from the illustration.



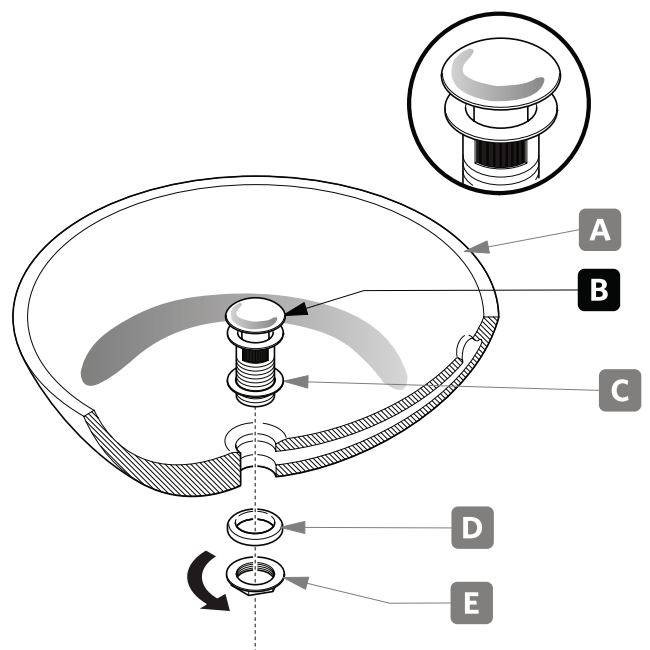
## POP-UP INSTALLATION

**FOR SINKS  
WITHOUT OVERFLOW**



OR

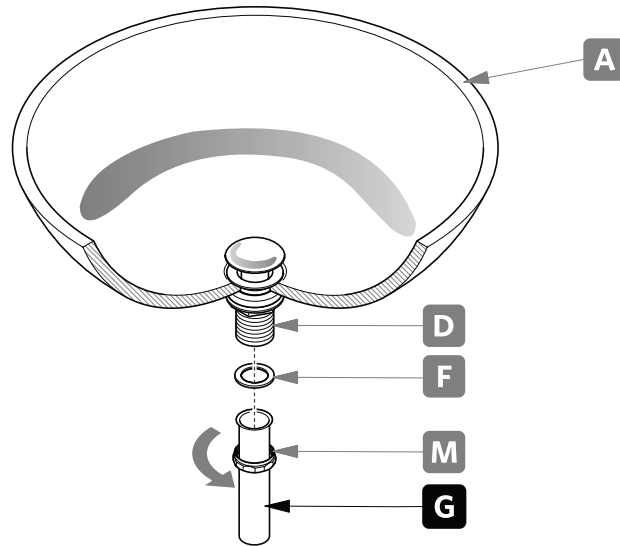
**FOR SINKS  
WITH OVERFLOW**





# P-TRAP INSTALLATION

**1** Install tail pipe (G).



**2** Install P-trap (J).

