

MODELS

- 442504 Chrome, 1.5 gpm
- 442505 Stainless Finish, 1.5 gpm
- 442506 Polished Nickel, 1.5 gpm
- 442507 Oil Rubbed Bronze, 1.5 gpm

FEATURES

- Solid brass body
- Ceramic disk cartridge
- Pull-down dual spray
- Nylon braided hose for quiet operation
- 1.5 GPM flow rate
- Installation in a 1-3/8" hole
- Color coded hot and cold supply lines
- 180 degree spout swivel
- Maximum deck thickness 2-1/4"

OPTIONAL ACCESSORIES

- EMPRESSA Soap Dispenser
- 442516 Chrome
 - 442517 Stainless Finish
 - 442518 Polished Nickel
 - 442519 Oil Rubbed Bronze

CODE/STANDARDS COMPLIANCE

- ASME A112.18.1
- IAPMO Listed
- Meets AB1953 low lead requirements

WARRANTY

BLANCO'S kitchen and bar faucets feature a LIMITED LIFETIME WARRANTY to be free of all manufacturing defects under normal use. See our complete warranty for details.

While BLANCO endeavors to provide accurate information, all dimensions are nominal, cannot be guaranteed, and are subject to change or cancellation. BLANCO assumes no responsibility for use of superseded or voided specifications.

JOB INFORMATION

Job Name: _____

Contact: _____

Date Specified: _____

Specifier: _____

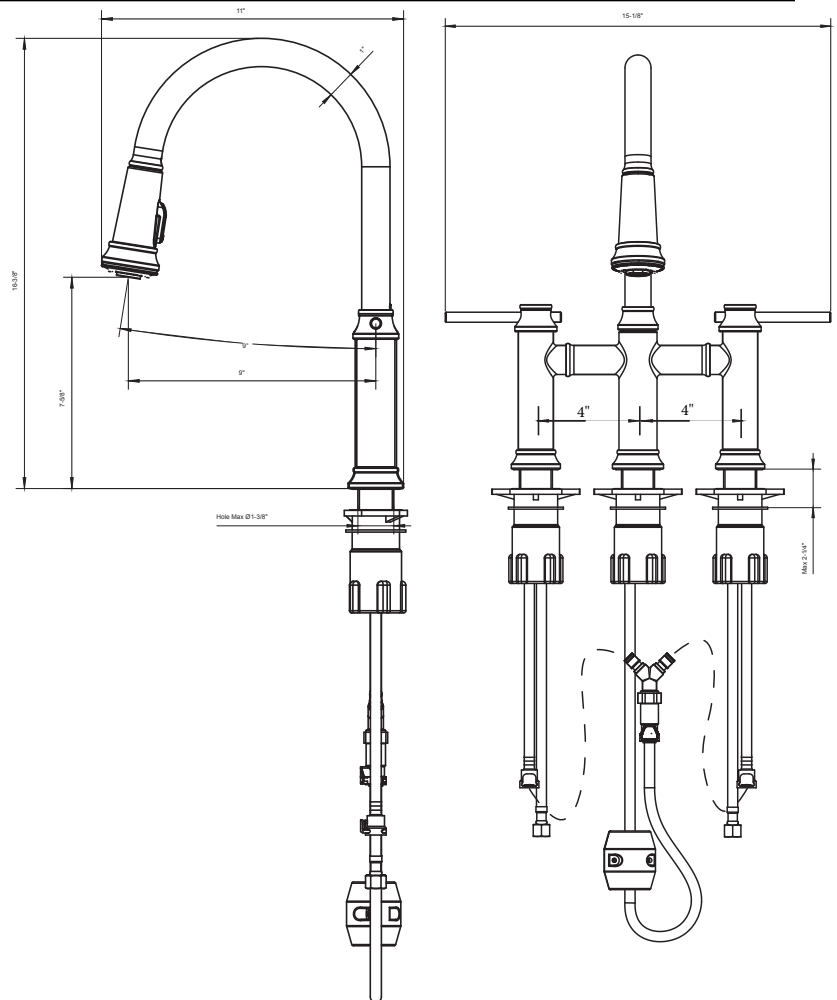
Contractor: _____



NOMINAL DIMENSIONS

Model 442504 shown

| REACH | SPOUT HEIGHT | FAUCET HEIGHT |
|-------|--------------|---------------|
| 9" | 7-3/4" | 16-3/8" |



See next page for exploded parts drawing and parts list.

BLANCO AMERICA

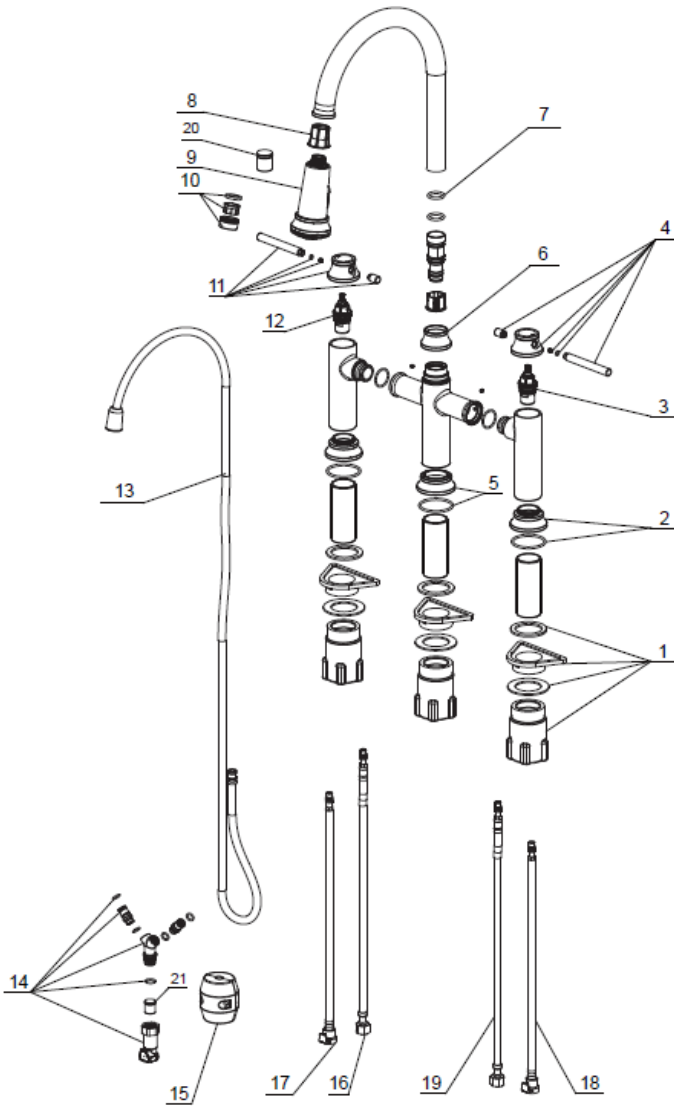
800.451.5782

www.blancoamerica.com

© 2018 BLANCO AMERICA

3/18

SPEC-001



Faucet hole $\Phi 1-3/8''$

REPAIR PARTS GUIDE

| Diagram # | Description | Part # |
|-----------|---|--------|
| 1 | Mounting Kit | 121653 |
| 2 | EMPRESSA BRIDGE Base L/R CH | 442589 |
| 2 | EMPRESSA BRIDGE Base L/R ST | 442590 |
| 2 | EMPRESSA BRIDGE Base L/R PN | 442591 |
| 2 | EMPRESSA BRIDGE Base L/R ORB | 442592 |
| 3 | Cartridge Cold | 122199 |
| 4 | EMPRESSA Bridge Cold Handle CH | 442593 |
| 4 | EMPRESSA Bridge Cold Handle ST | 442594 |
| 4 | EMPRESSA Bridge Cold Handle PN | 442595 |
| 4 | EMPRESSA Bridge Cold Handle ORB | 442596 |
| 5 | EMPRESSA BRIDGE Base Center CH | 442597 |
| 5 | EMPRESSA BRIDGE Base Center ST | 442598 |
| 5 | EMPRESSA BRIDGE Base Center PN | 442599 |
| 5 | EMPRESSA BRIDGE Base Center ORB | 442600 |
| 6 | EMPRESSA Spout Cover Ring CH | 442601 |
| 6 | EMPRESSA Spout Cover Ring ST | 442602 |
| 6 | EMPRESSA Spout Cover Ring PN | 442603 |
| 6 | EMPRESSA Spout Cover Ring ORB | 442604 |
| 7 | Set of rings | 442660 |
| 8 | EMPRESSA Sprayhead Collar | 442659 |
| 9 | EMPRESSA Handspray CH | 442605 |
| 9 | EMPRESSA Handspray ST | 442606 |
| 9 | EMPRESSA Handspray PN | 442607 |
| 9 | EMPRESSA Handspray ORB | 442608 |
| 10 | Aerator Kit | 442661 |
| 11 | EMPRESSA Bridge Hot Handle CH | 442609 |
| 11 | EMPRESSA Bridge Hot Handle ST | 442610 |
| 11 | EMPRESSA Bridge Hot Handle PN | 442611 |
| 11 | EMPRESSA Bridge Hot Handle ORB | 442612 |
| 12 | Cartridge Hot | 122197 |
| 13 | Spray Hose | 442662 |
| 14 | T-connection Set | 442671 |
| 15 | Weight - need the grams | 442668 |
| 16 | Supply Line Hot Water | 442663 |
| 17 | Hot Supply Line w/ quick connector | 442672 |
| 18 | Cold Supply Line w/ quick Connector | 442673 |
| 19 | Supply Line Cold Water | 442664 |
| 20 | Flow Restrictor with Check Valve 1.5gpm | 442669 |
| 21 | Check Valve | 442666 |

Need to Change a Faucet Cartridge?



Scan this QR code
to see our how-to video

For faucet technical support or questions,
please e-mail us at blanco@blancoamerica.com